

IC'S DIL SOCKETS MACHINE PINS 2.54 MM (0.100")

Specification:



Insulator: Thermoplastic (UL94V-0)
 Contact: Copper Alloy
 Storage Temperature: -20°C ~ 85°C
 Operating Temperature: 0°C ~ 70°C
 Contact Resistance: 20 mΩ max. (initial)
 Insulation Resistance: 1000 MW min.
 Dielectric Withstanding Voltage: 1000 VAC (1 minute)

GOLD 14P

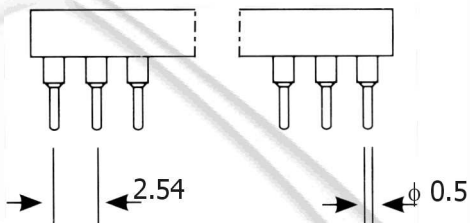
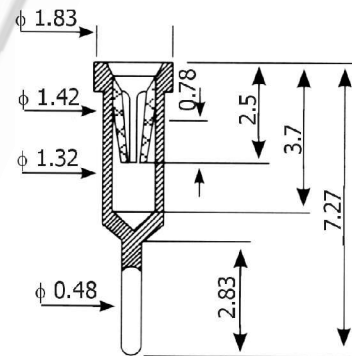
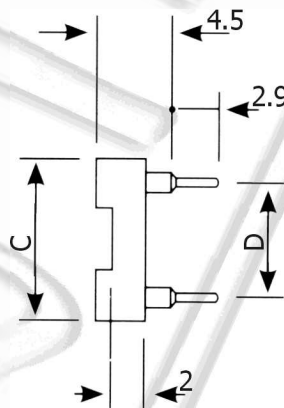
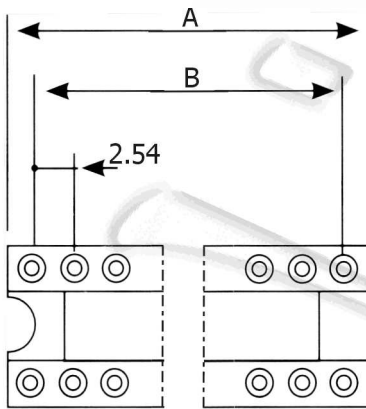
Contact Plating:

P - 100 m" Phosphor Bronze

No. of Contacts:

N = 6; 8; 14; 16; 18; 20; 22

IC's DIL Sockets Machine Pins 2.54 mm (0.100")



No. of Contact (N)	A	B	C	D
6	7.60	5.08	10.14	7.62
8	10.16	7.62	10.16	7.62
14	17.16	15.24	10.16	7.62
16	20.32	17.78	10.16	7.62
18	22.86	20.32	10.16	7.62
20	25.40	22.86	10.16	7.62
22	30.48	27.94	10.16	7.62

All dimensions in mm.

Ninigi

GOLD 24P-W

Width:

none - 15.24 mm
W - 7.62 mm

Contact Plating:

P - 100 m" Phosphor Bronze

No. of Contacts:

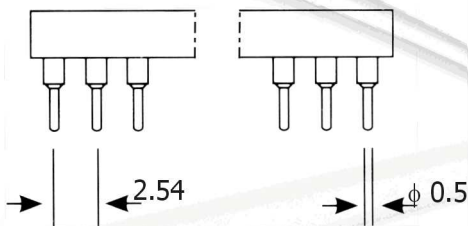
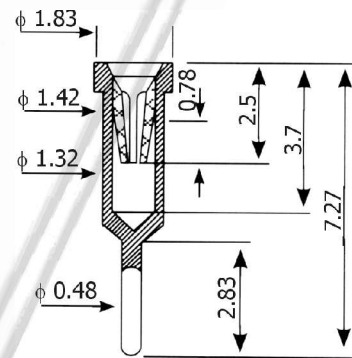
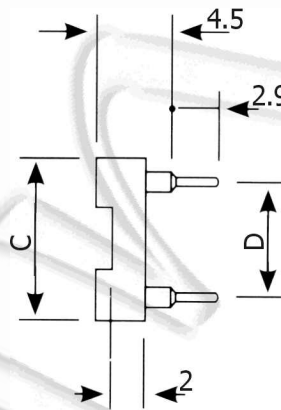
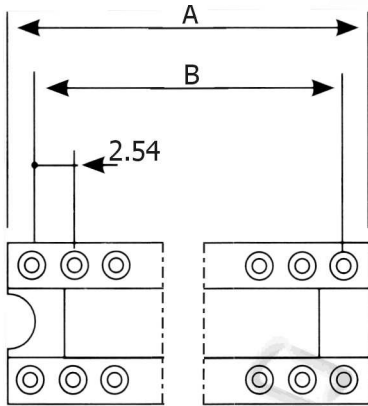
N = 24; 28; 32; 40; 42; 48

IC's DIL Sockets Machine Pins 2.54 mm (0.100")

GOLD 22P: width 10.16 mm

GOLD 64P: width 22.86 mm

GOLD 64P-S: width 19.05 mm



No. of Contact (N)	A	B	C	D
22	27.9	25.4	12.7	10.16
24-W	30.48	27.94	10.16	7.62
28-W	35.56	33.02	10.16	7.62
24	30.48	27.94	17.78	15.24
28	35.56	33.02	17.78	15.24
32	40.62	38.10	17.78	15.24
40	50.80	48.26	17.78	15.24
48	60.96	58.42	17.78	15.24
64	81.46	78.74	25.4	22.84
64-S	57.28	55.12	21.46	19.05

All dimensions in mm.