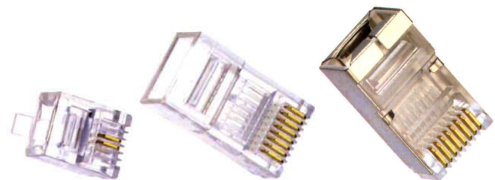


MODULAR PLUG

EMP SERIES

FEATURES

- Available for round and flat-oval cable.
- Plug are available for solid wire 24-26 AWG.
- Available for non-shielded and shielded configurations to avoid EMI/RFI
- Deliver speeds up to 100 MHz.



PART NUMBERING SYSTEM

EMP	8	8	1	E	R	2	0	1	0	0	XX	
												+----- Special Number:
												+----- Wire Diameter:
												0:Standard 1.0mm,
												1:0.9mm, 2:0.8mm, 3:0.7mm
												+----- Type:
												0:Standard, 1:Insert Type
												+----- Appearance:
												0:Standard, 1:Shielded
												+----- Dimensions:
												0:Standard, S:Short Body, L:Long Body
												+----- Material:
												0:94-V0, 2:94-V2
												+----- Cable Application:
												R:For Round Cable Type
												F:For Flat-Oval Cable Type
												+----- Selective Gold Plating Thickness:
												A:3μ" B:6μ" C:15μ" D:30μ" E:50μ"
												+----- Contact Blade Specifications:
												1:For stranded wire
												2:2 prongs contacts
												3:3 prongs contacts
												+----- Number of Contacts: 2,3,4,5,6,7,8,9,A:10
												+----- Number of Positions: 4,6,8,A:10
												+----- Series Name: EMP

SPECIFICATIONS

● Electric test

- 150 VAC Max., at 1.5 Amps.
- Dielectric with standing 500 VAC.
- Insulation Resistance: 500 MΩ.
- Termination Resistance: 35 mΩ.

● Mechanical:

- Cable-to-plug tensile strength-20LBs(89N) Min..
- Durability: 500 mating cycles.

● Material and Finished:

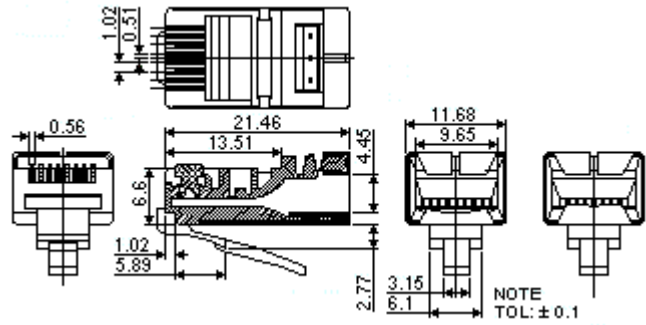
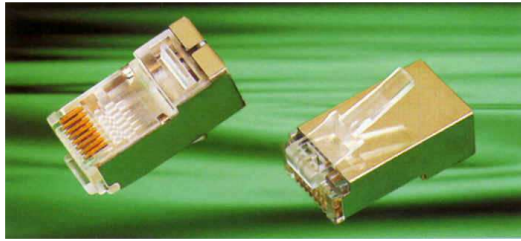
- Housing: Polycarbonate, UL94-V0
UL94-V2
- Contact: Phosphor bronze, selective gold plated in contact area over 100μ" nickel plated.
- Shield: Nickel plated, brass.

● Operating Temperature:

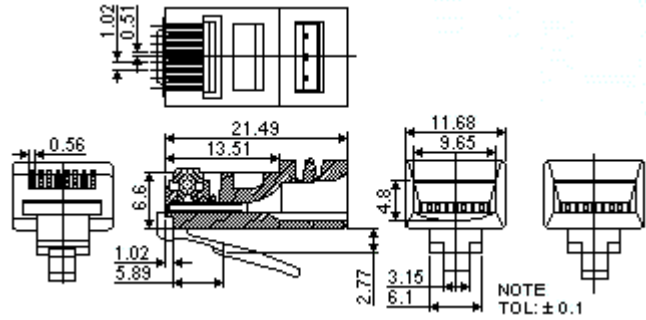
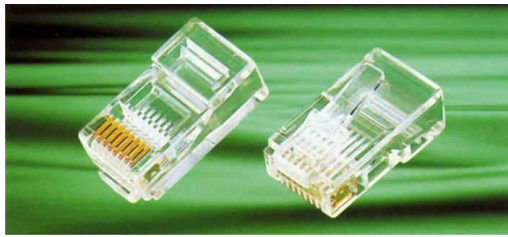
-40°C ~ +125°C

DIMENSIONS

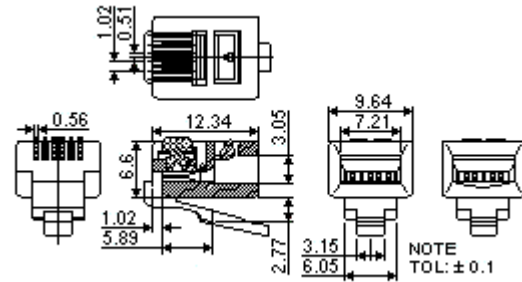
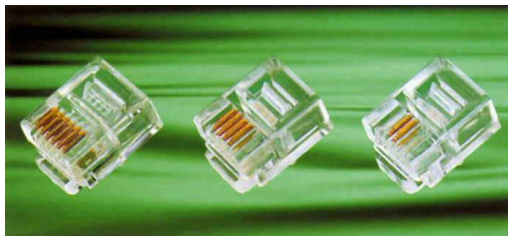
● EMP 8 POSITION SHIELDED



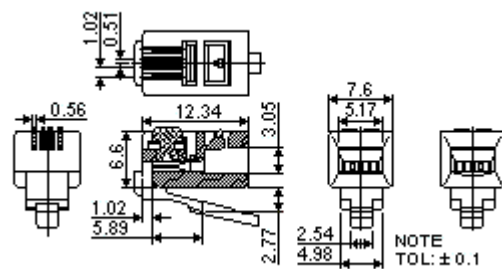
● EMP 8 POSITION [8P8C,8P6C,8P4C]



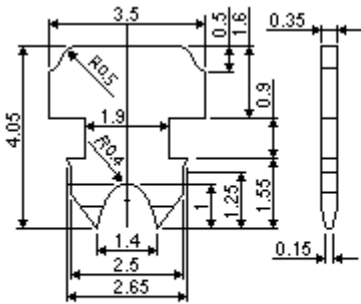
● EMP 6 POSITION [6P6C,6P4C,6P2C]



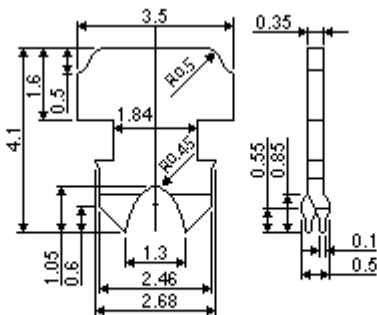
● EMP 4 POSITION [4P4C,4P2C]



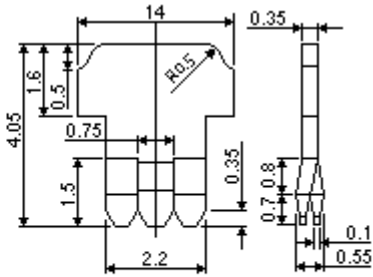
CONTACT BLADE



FOR STRANDED WIRE



FOR SOLID WIRE
2 PRONGS CONTACTS



FOR SOLID WIRE
3 PRONGS CONTACTS