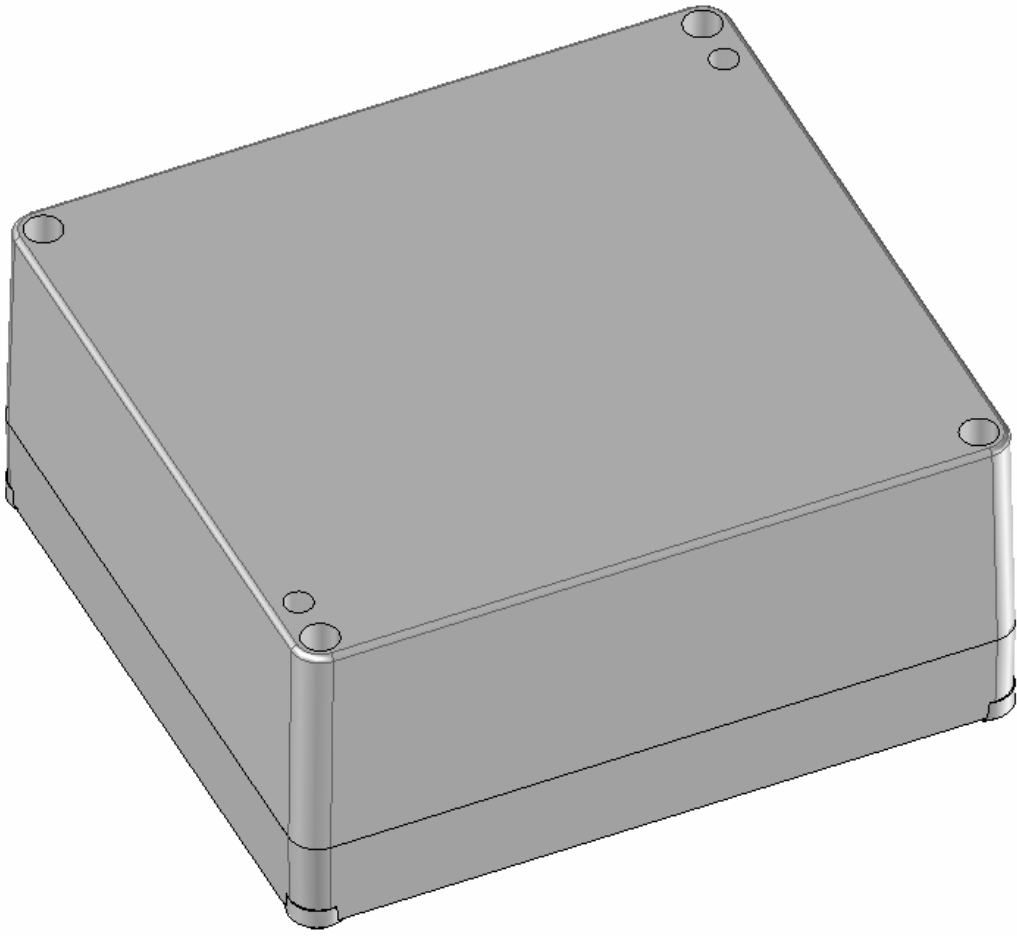
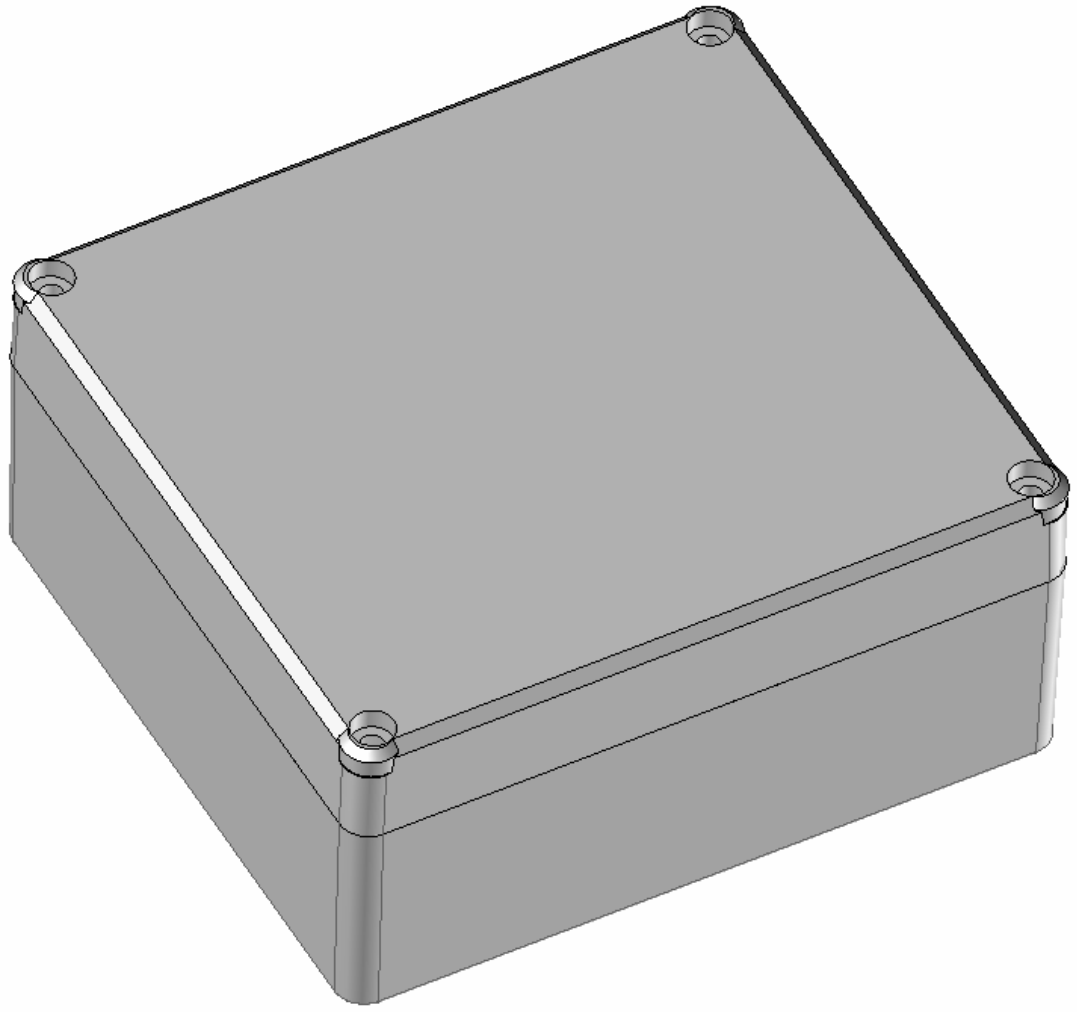


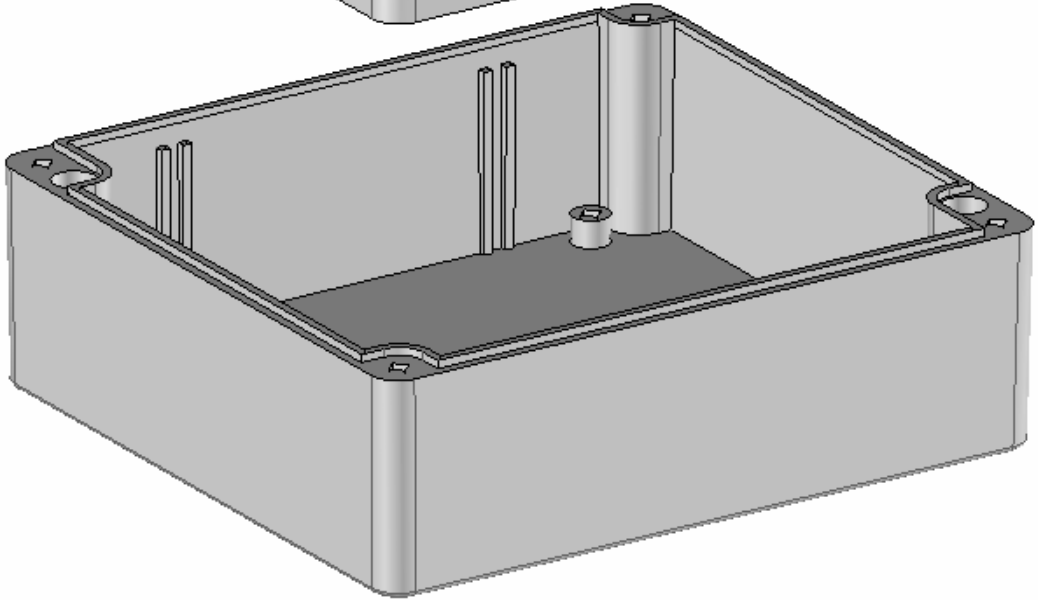
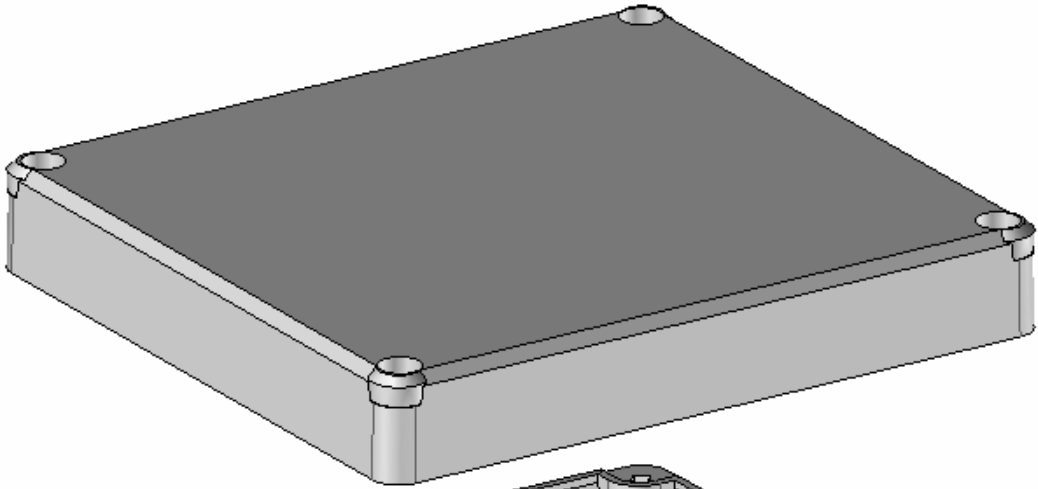
H G F C B A

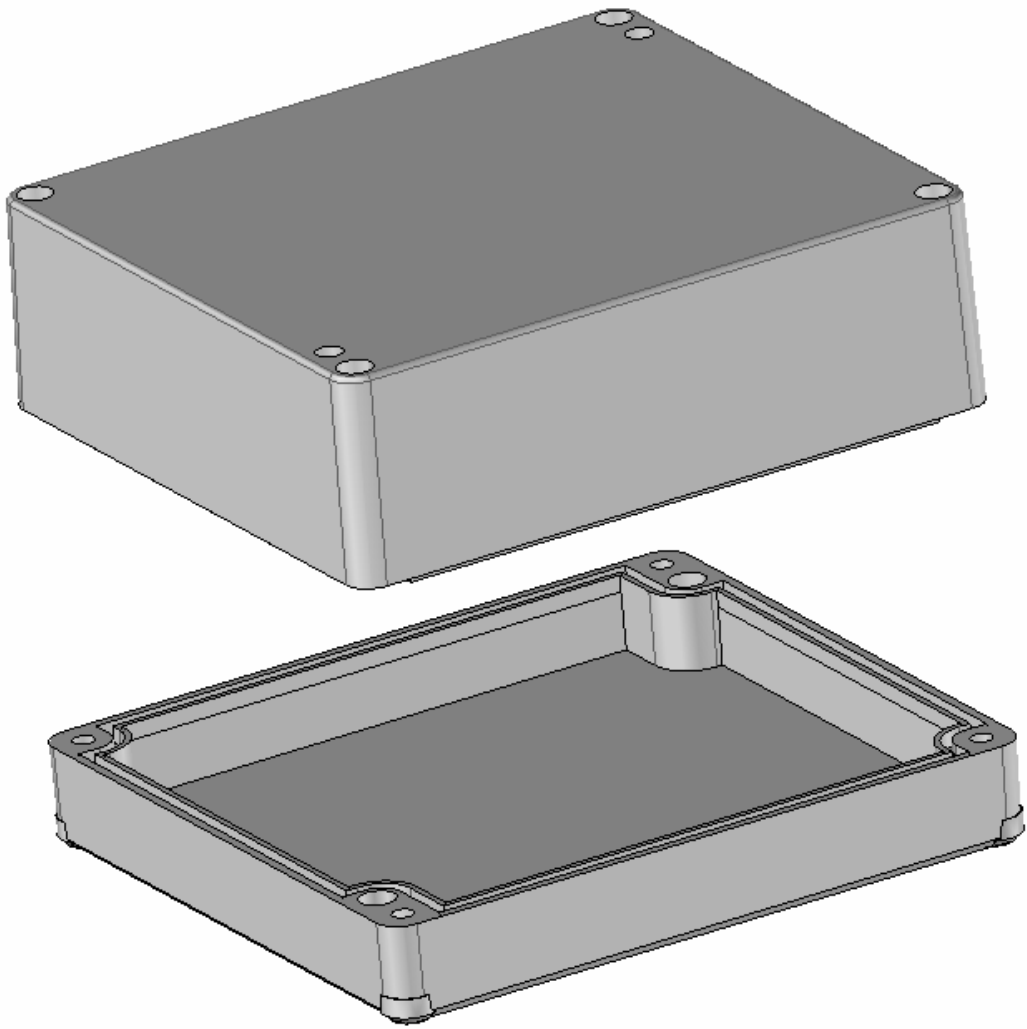
1 2 3 4 5 6 7 8

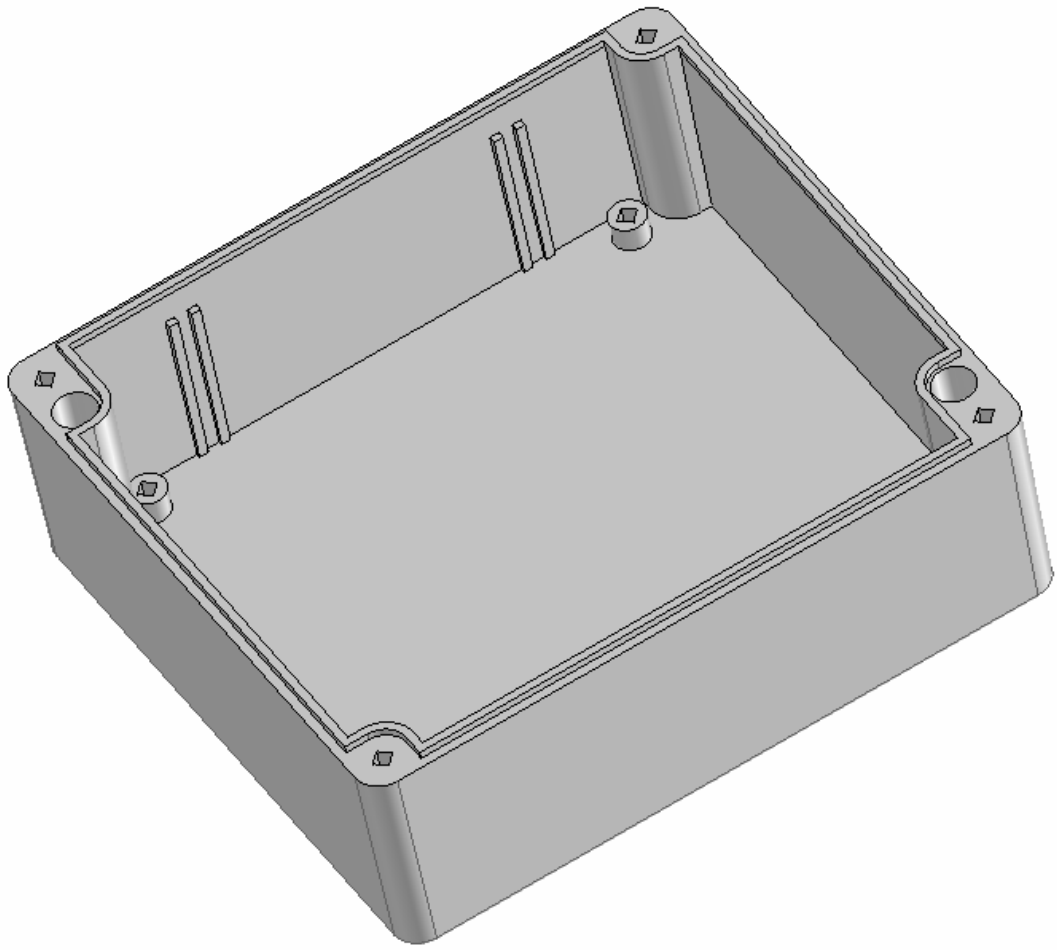
1 2 3 4 5 6 7 8

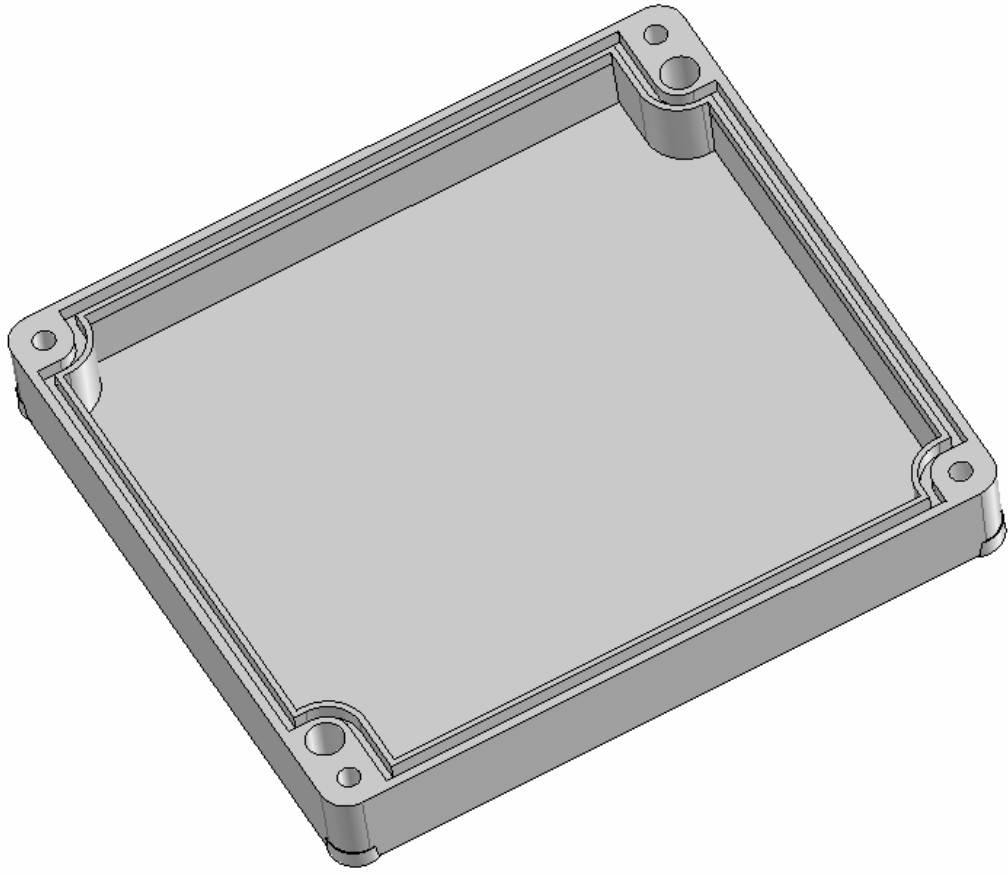




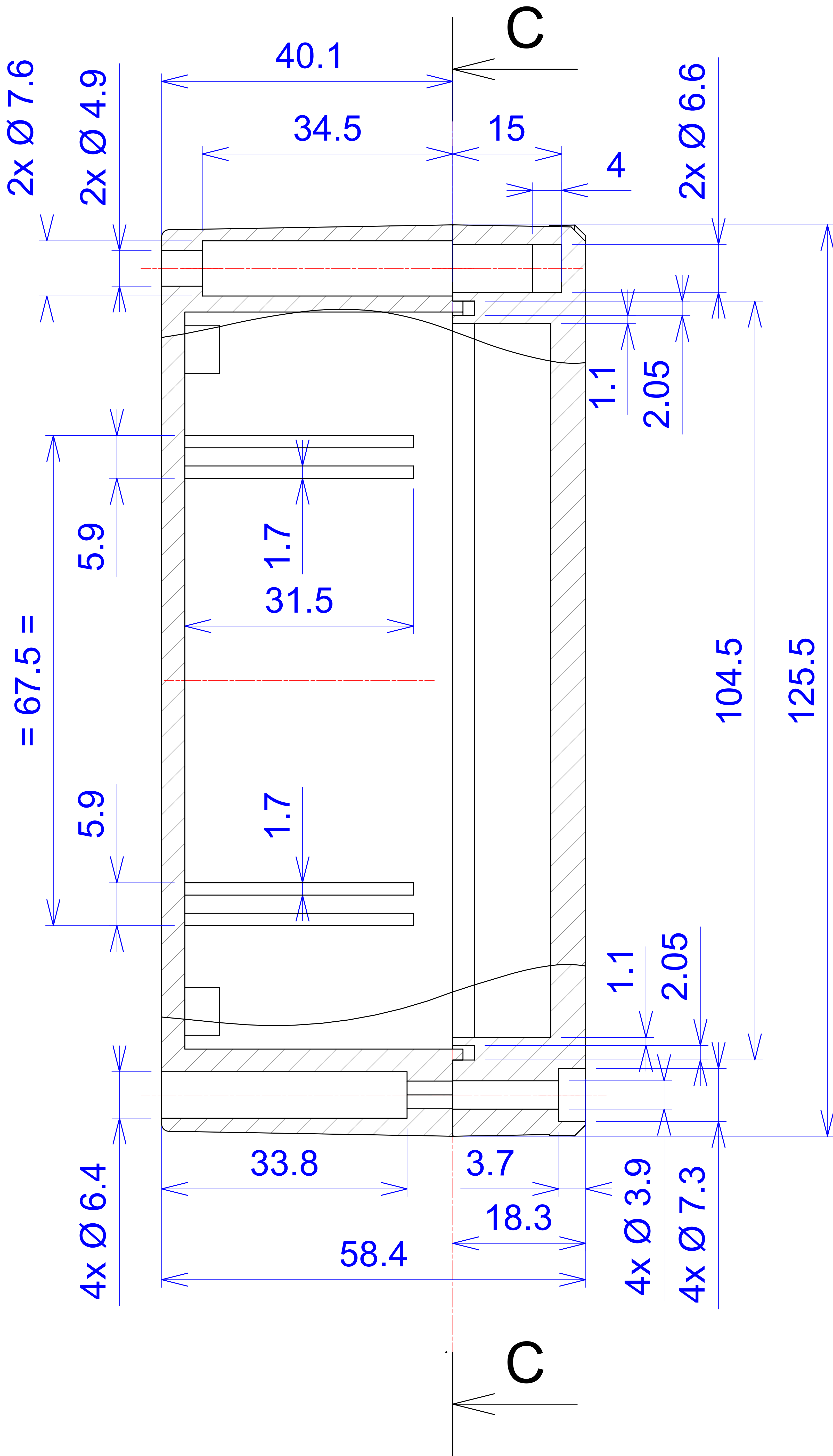




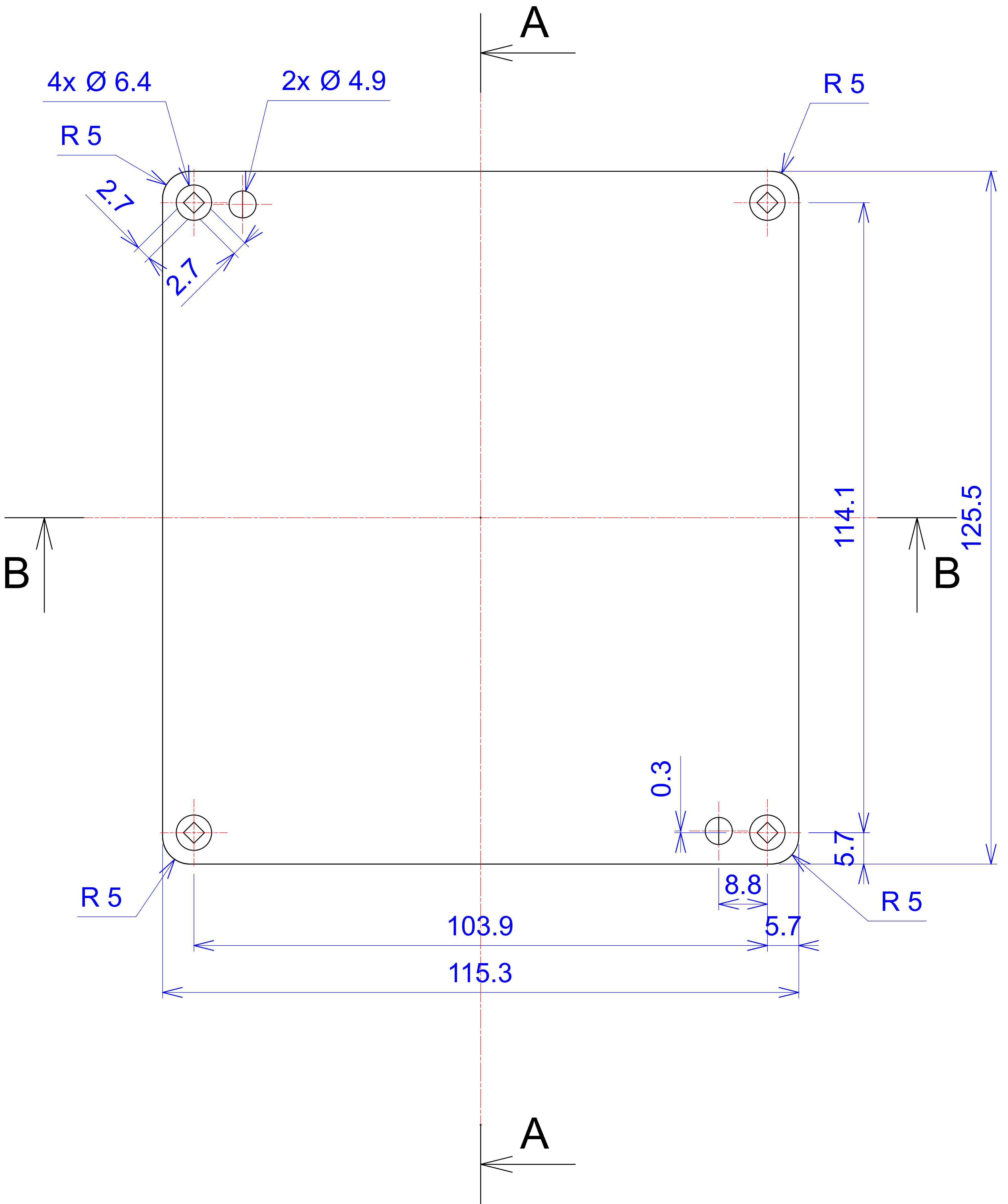


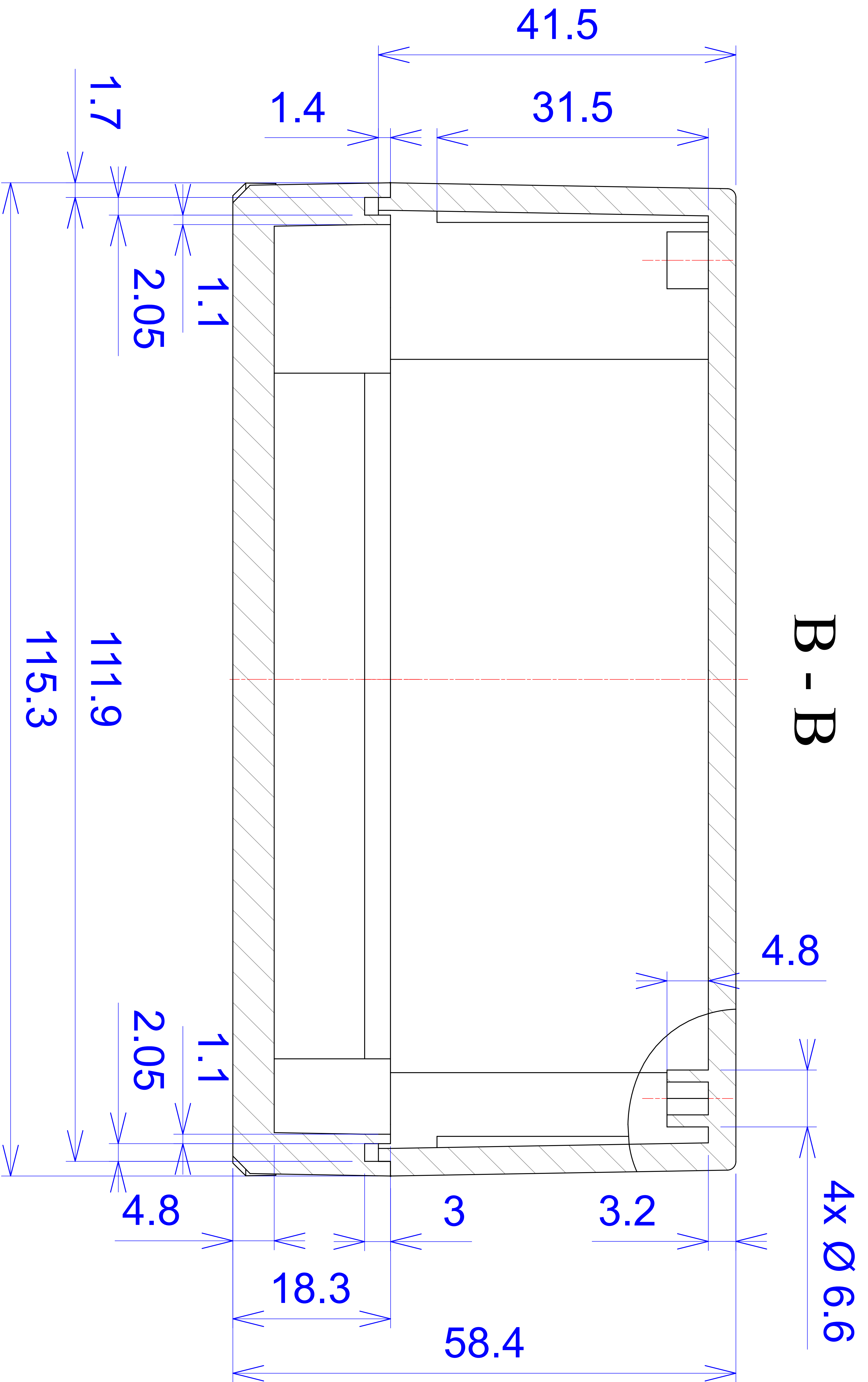


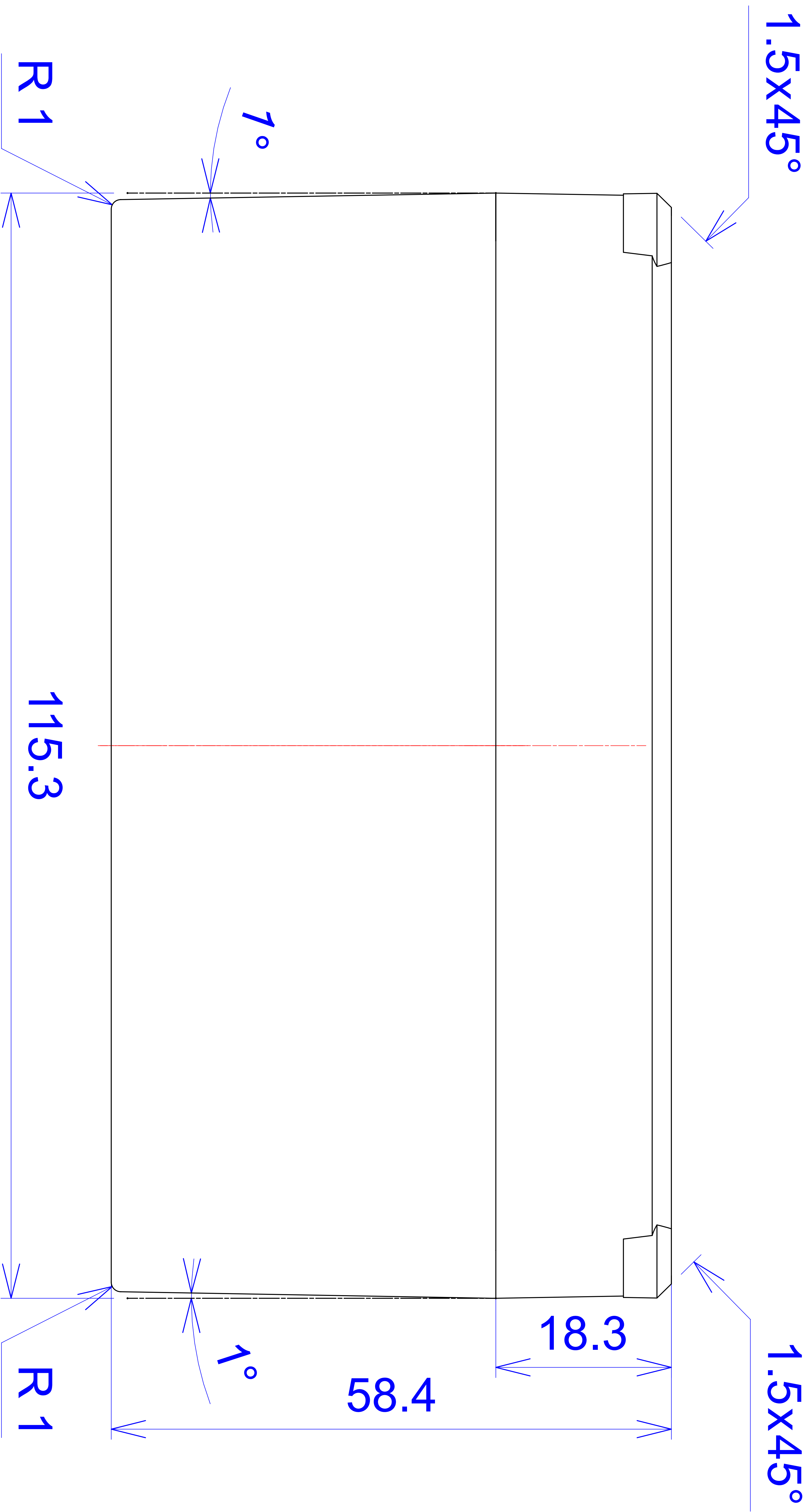
# A - A

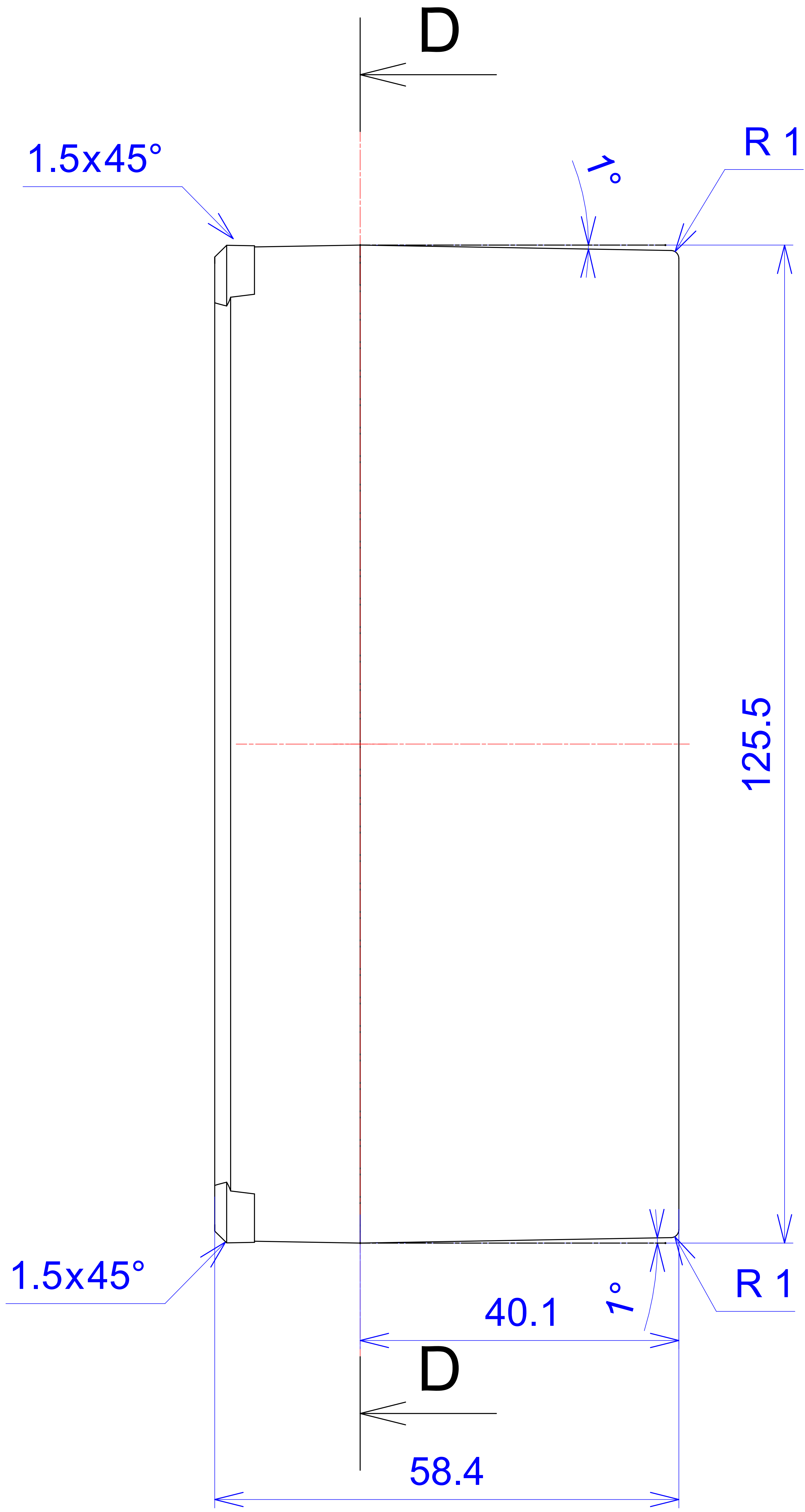












4x Ø 7.3

4x Ø 3.9

2.7

2.7

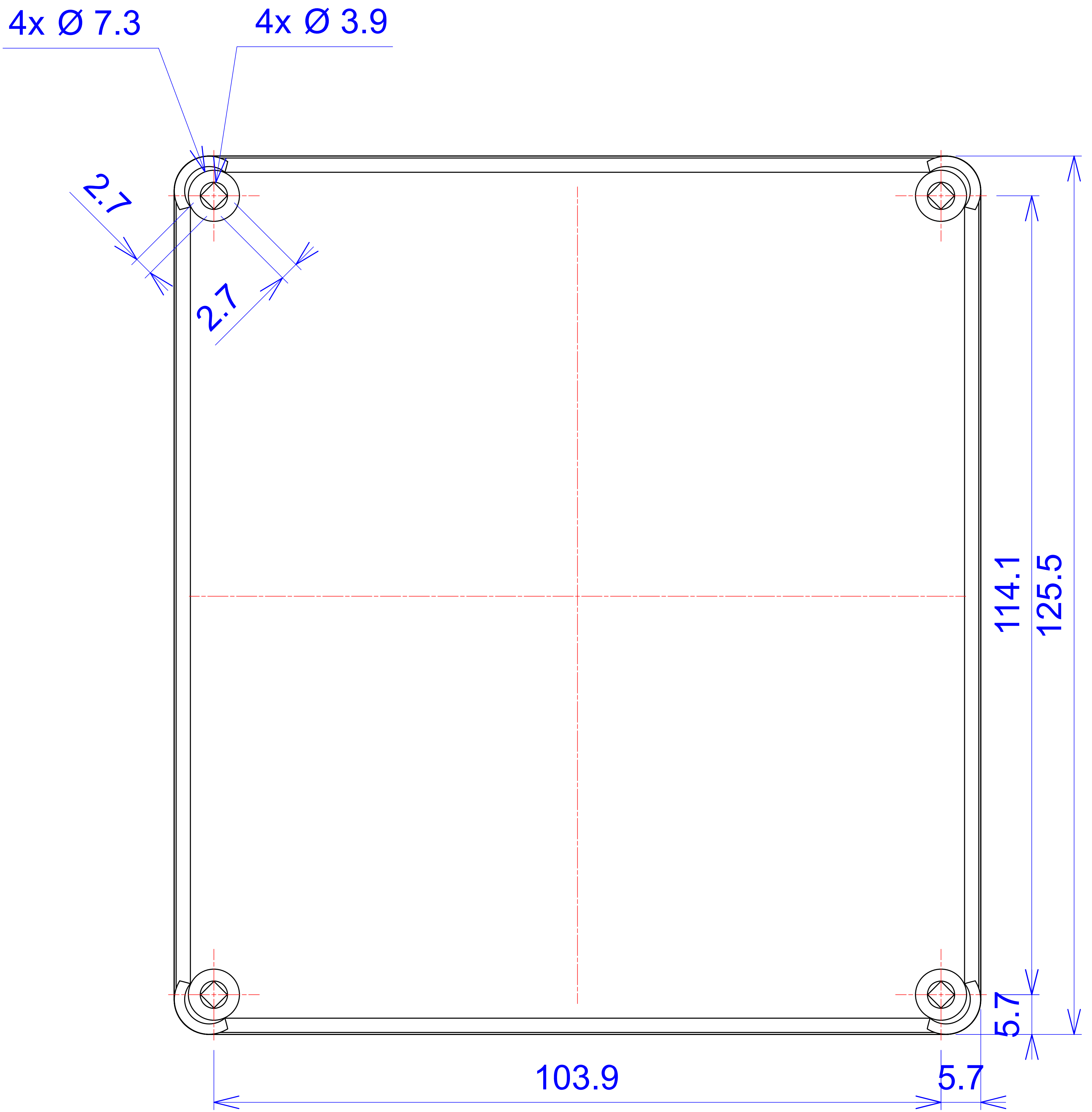
114.1

125.5

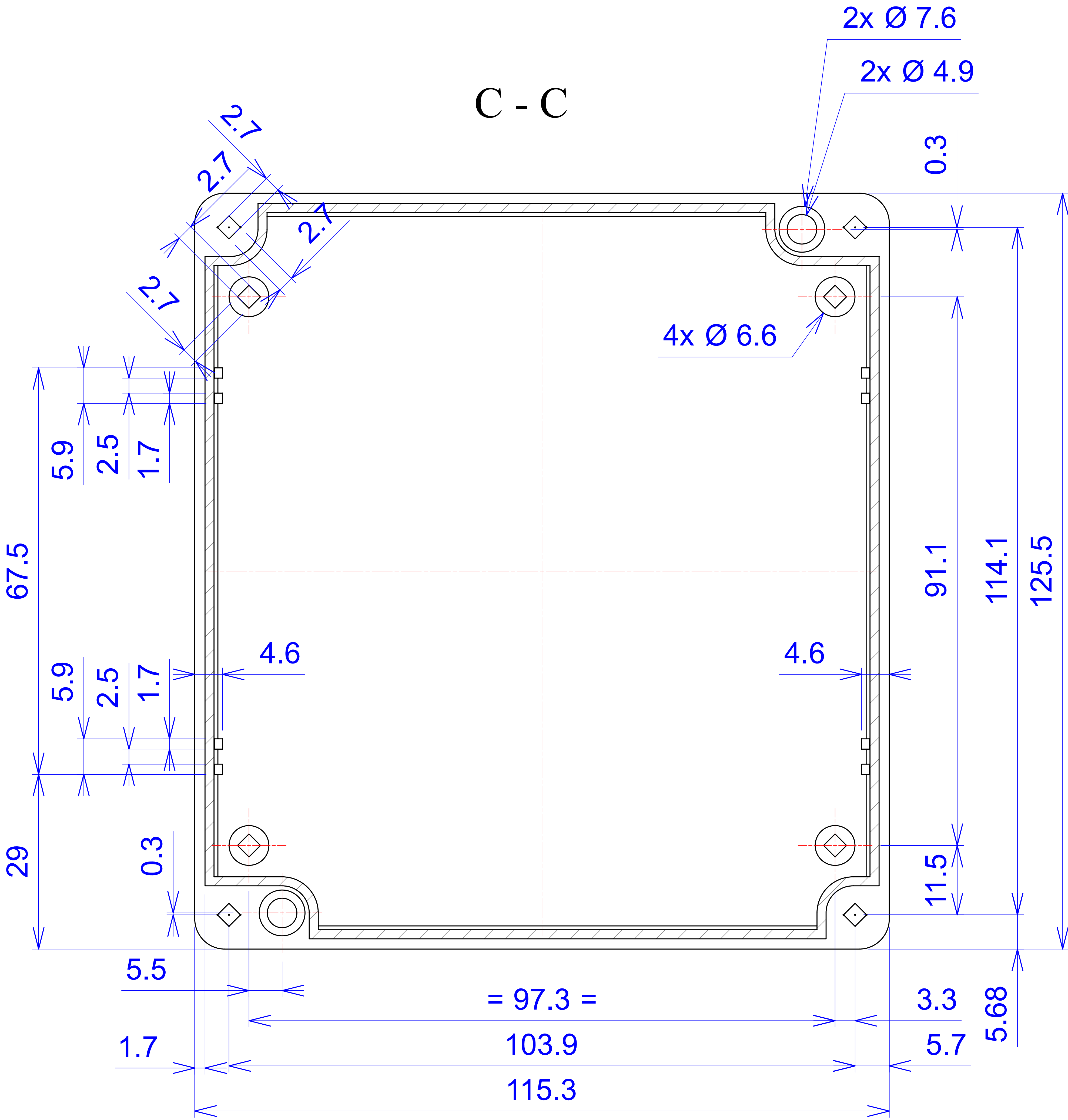
103.9

5.7

5.7



C - C



D - D

