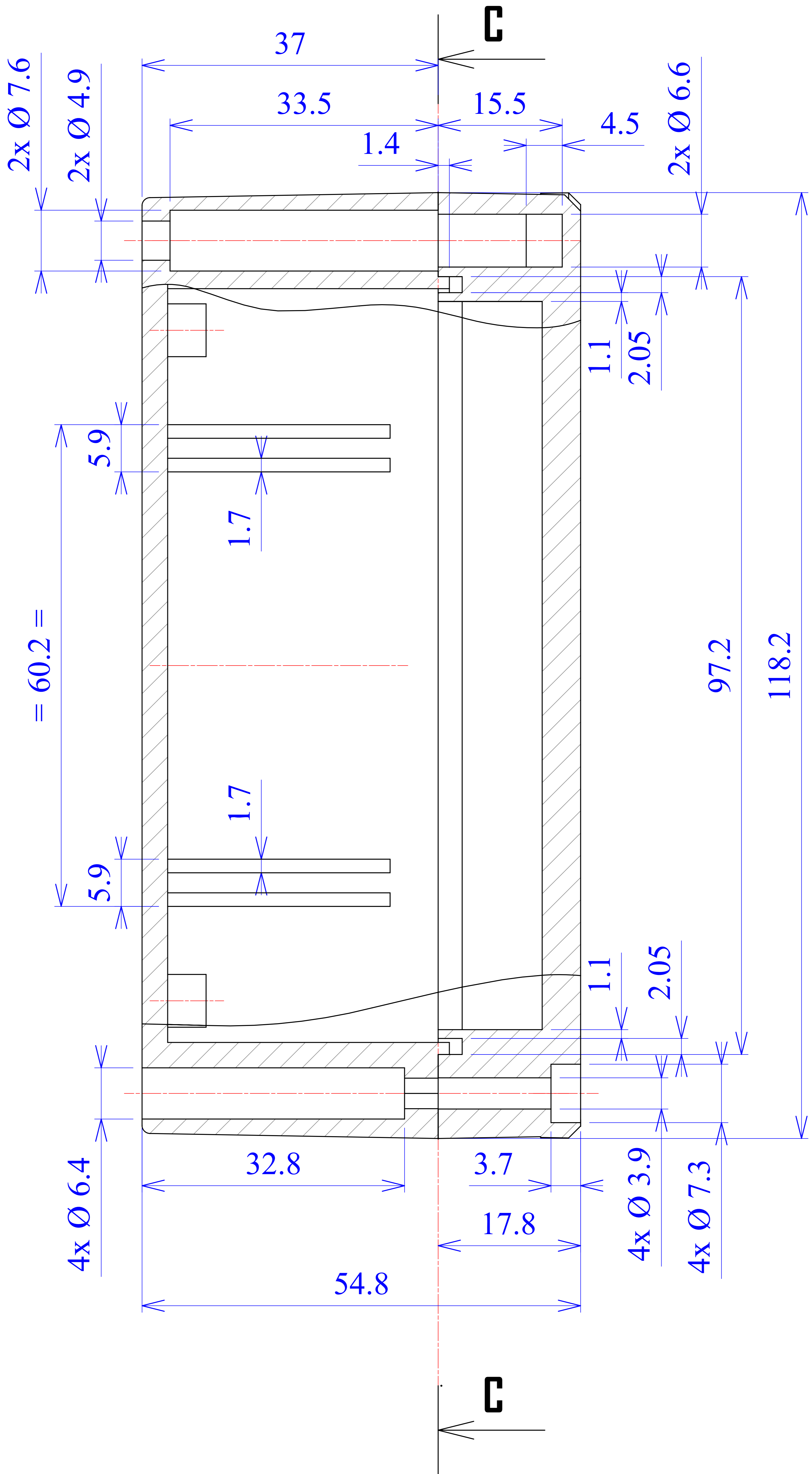
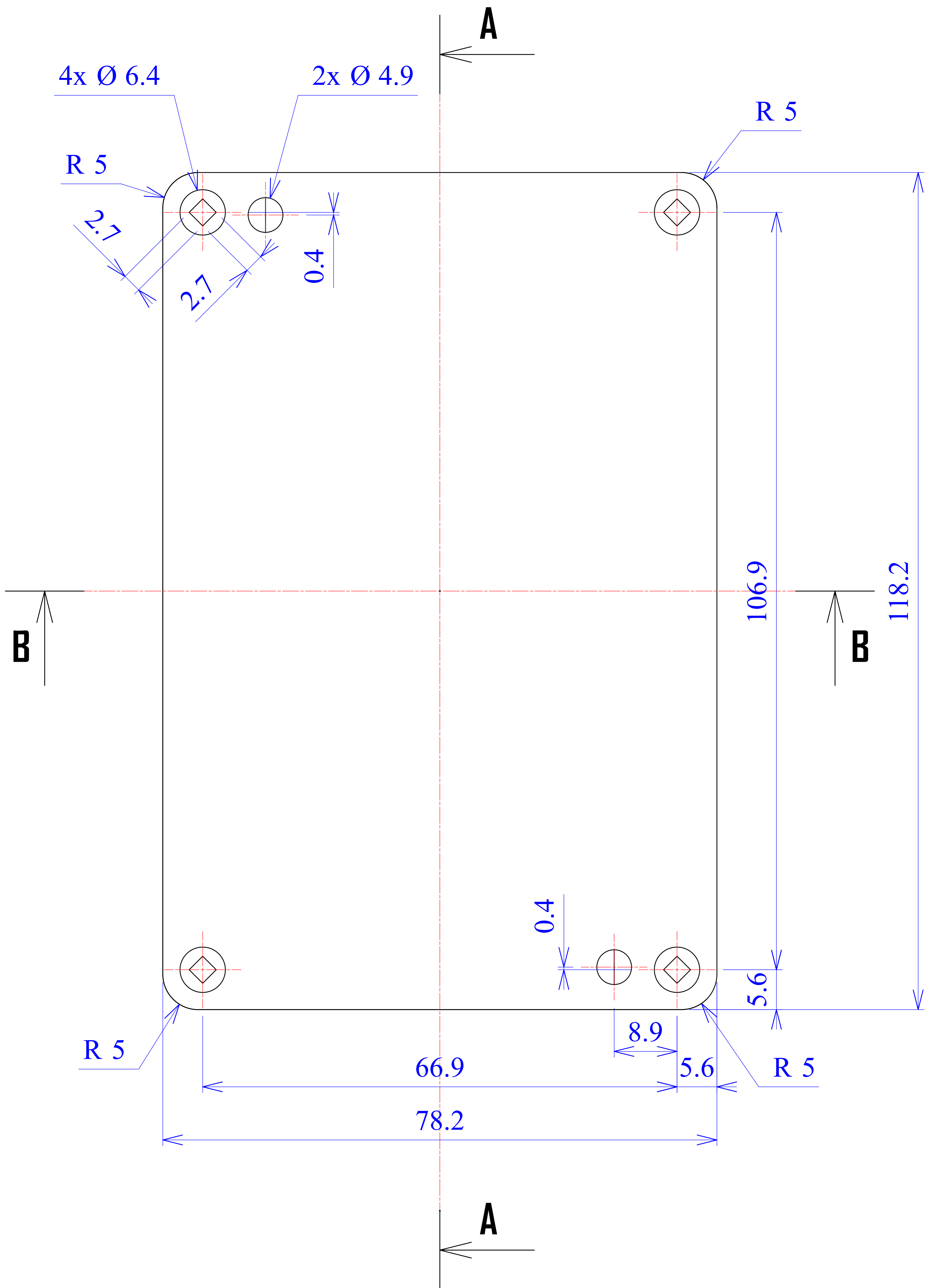
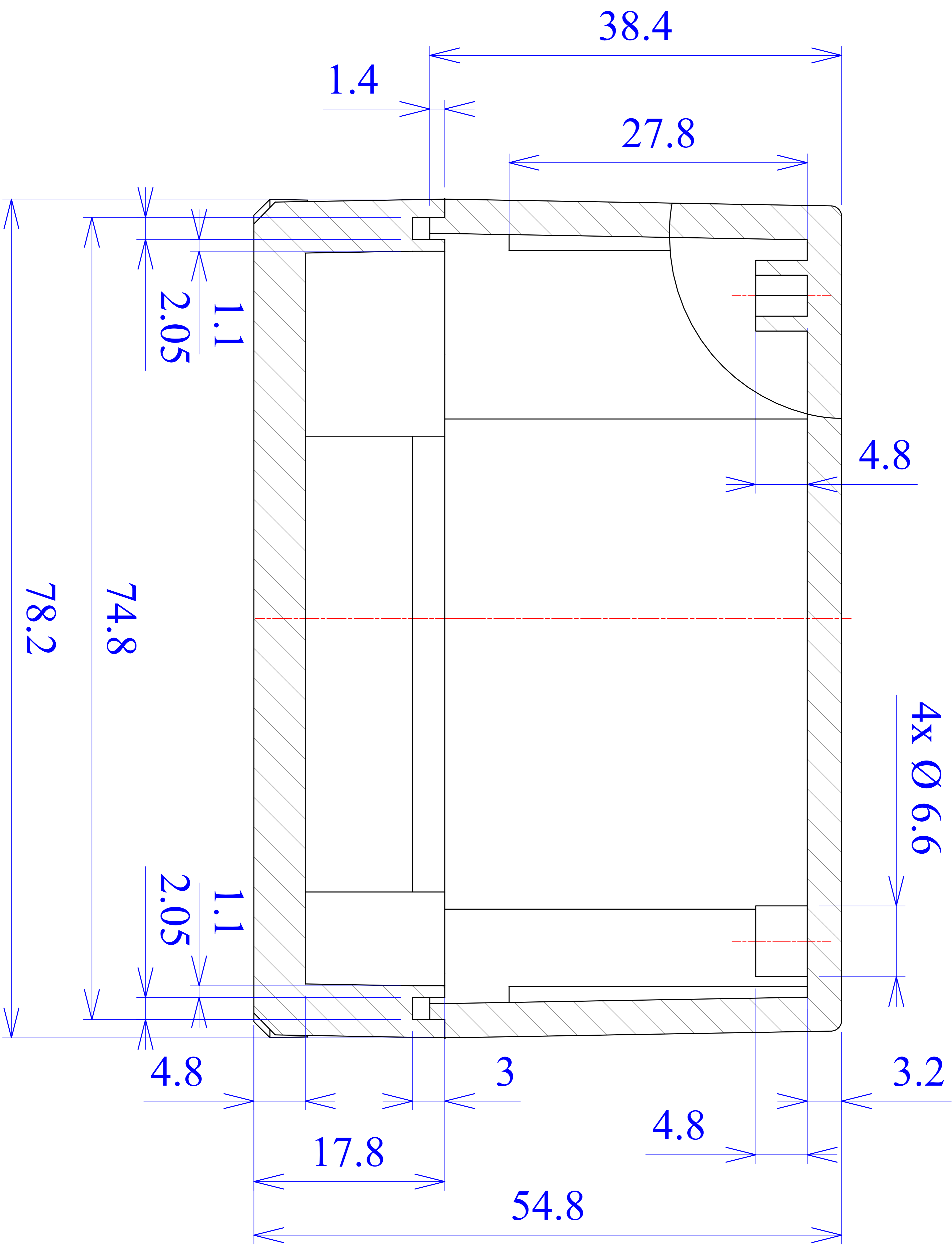


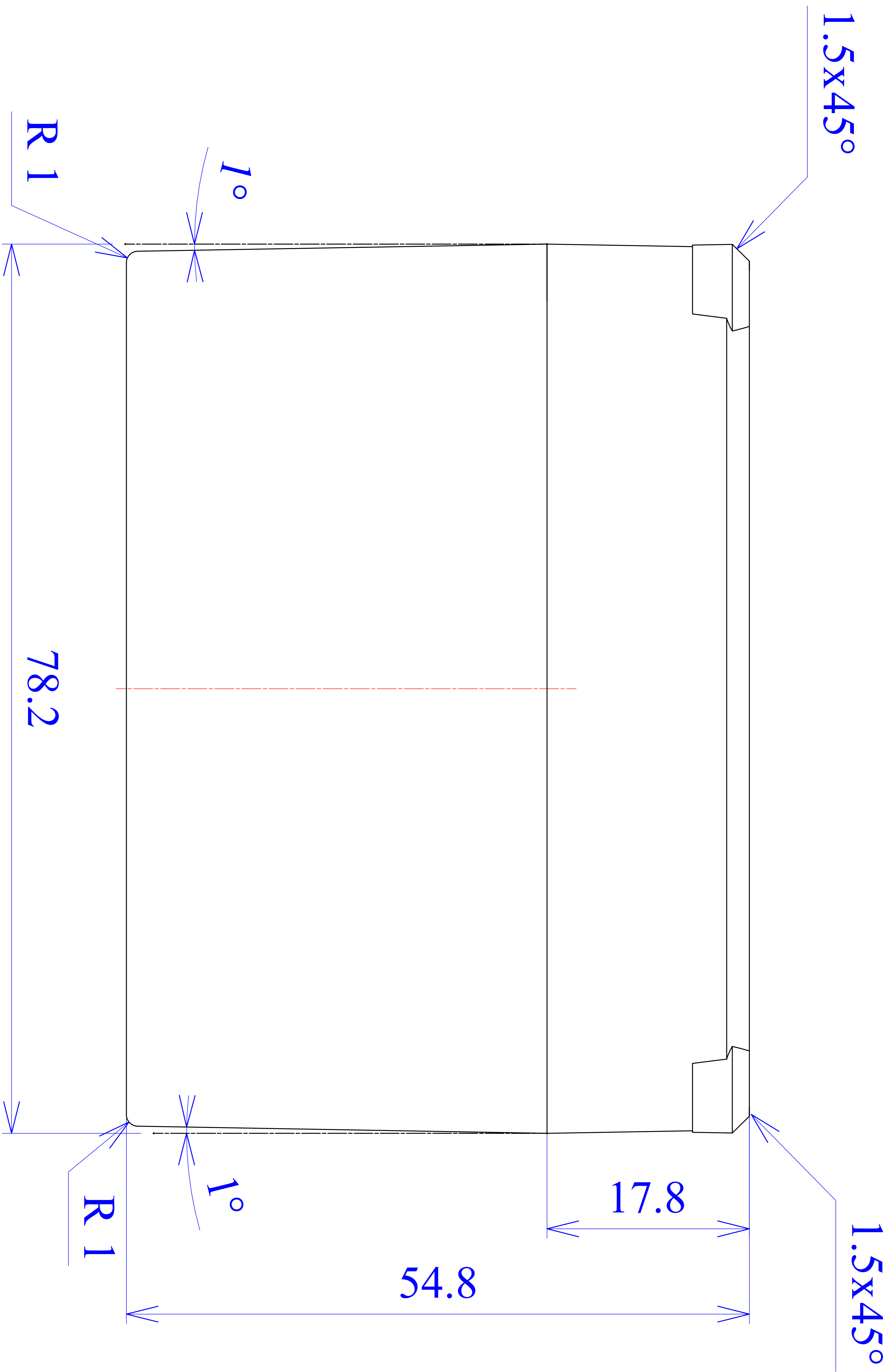
A - A

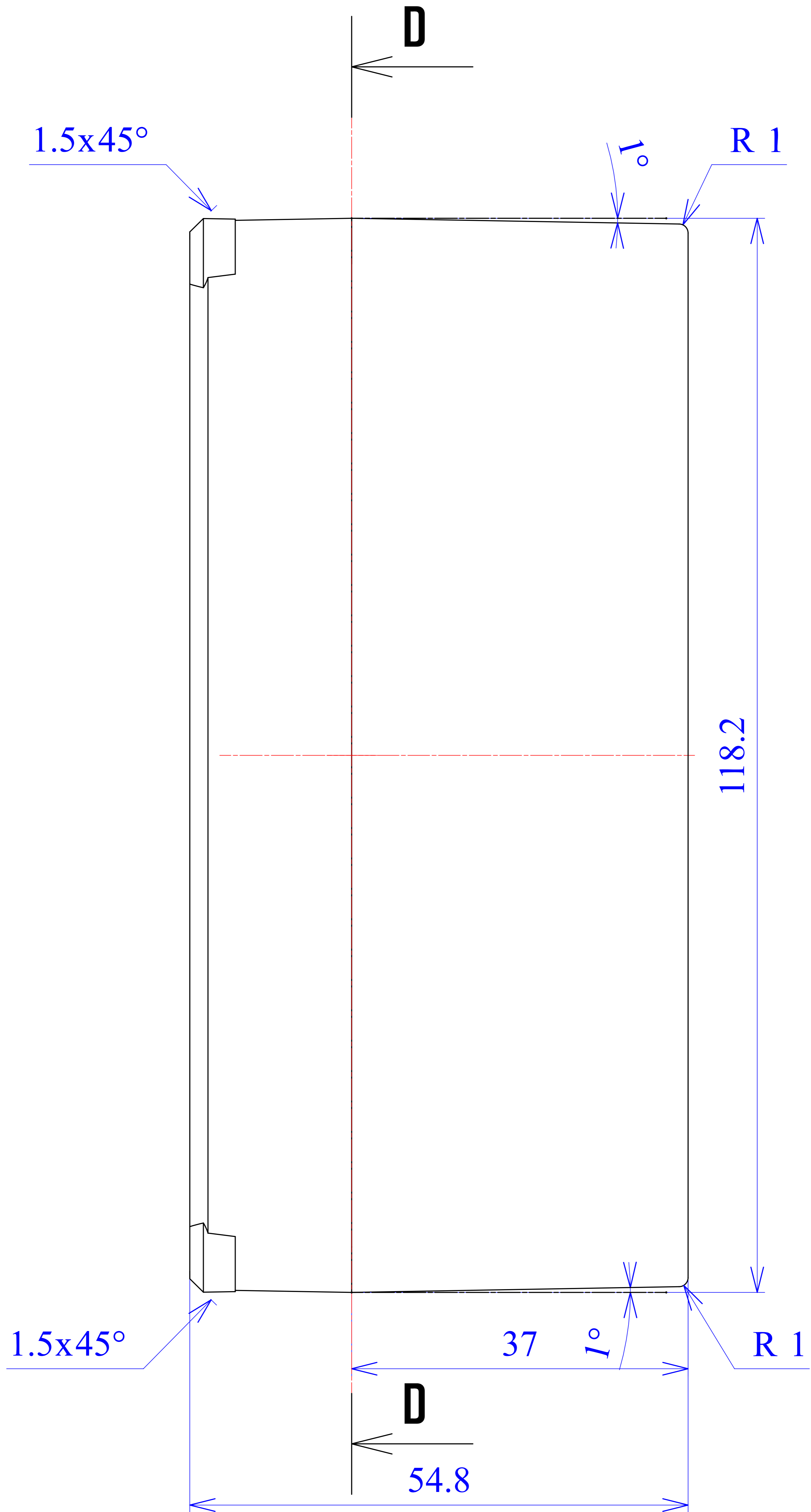




B - B







4x Ø 7.3

4x Ø 3.9

2.7

2.7

106.9

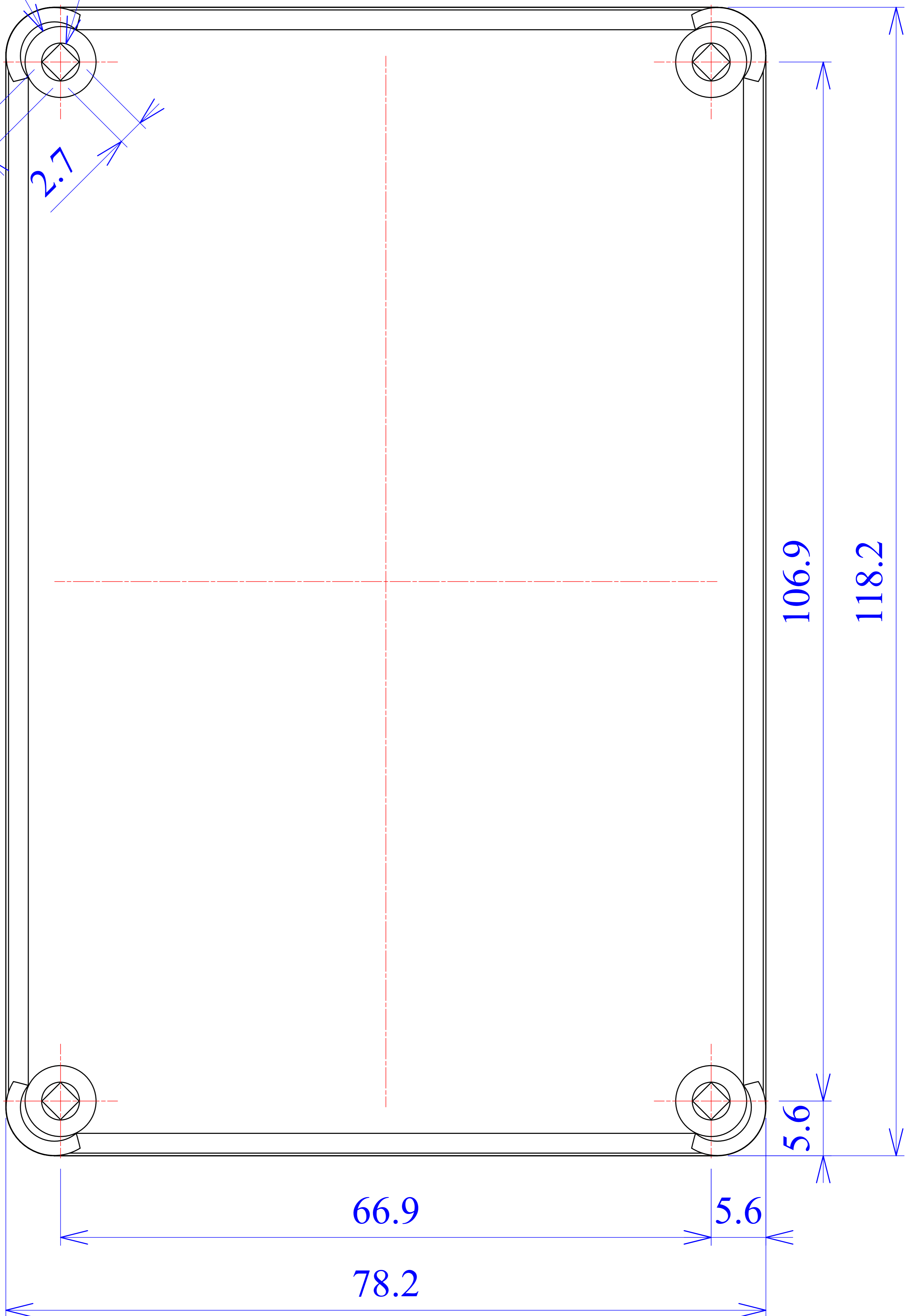
118.2

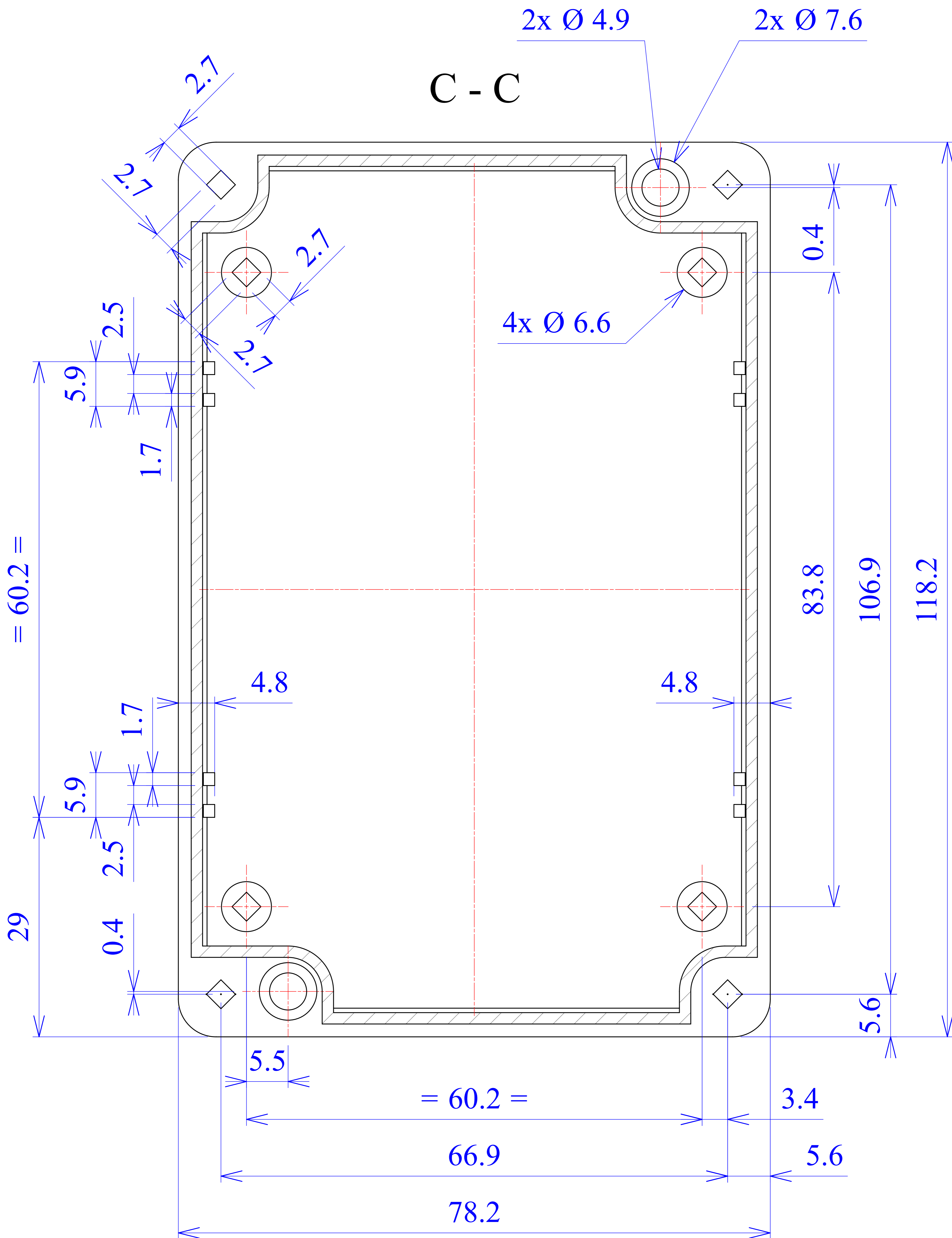
5.6

66.9

5.6

78.2





D - D

