

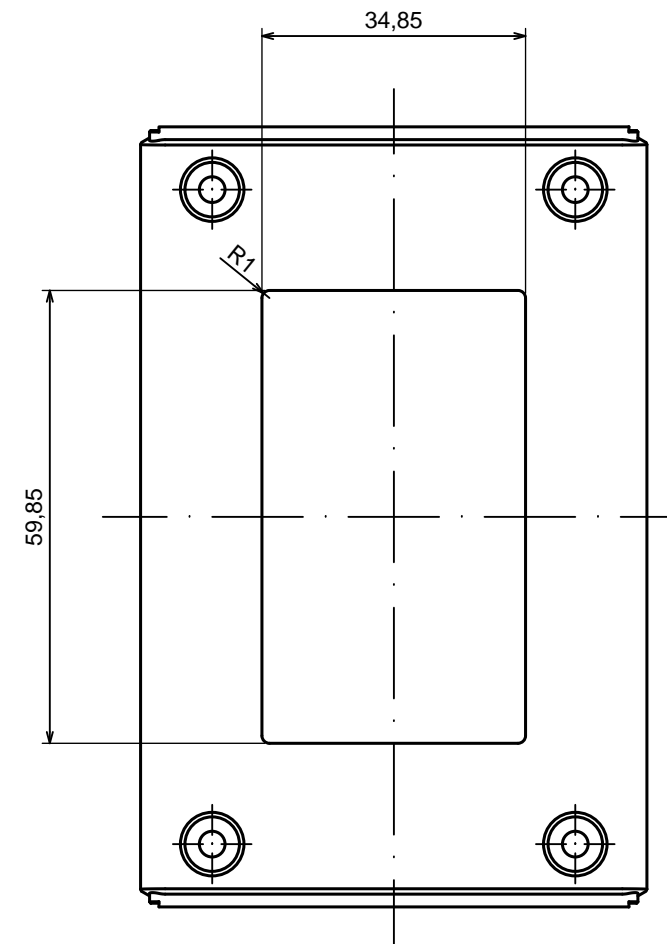
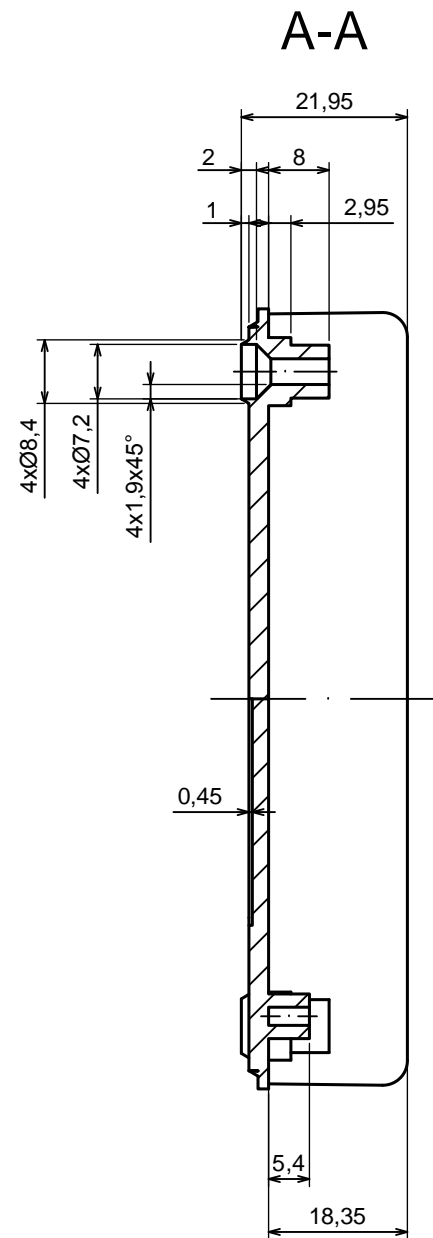
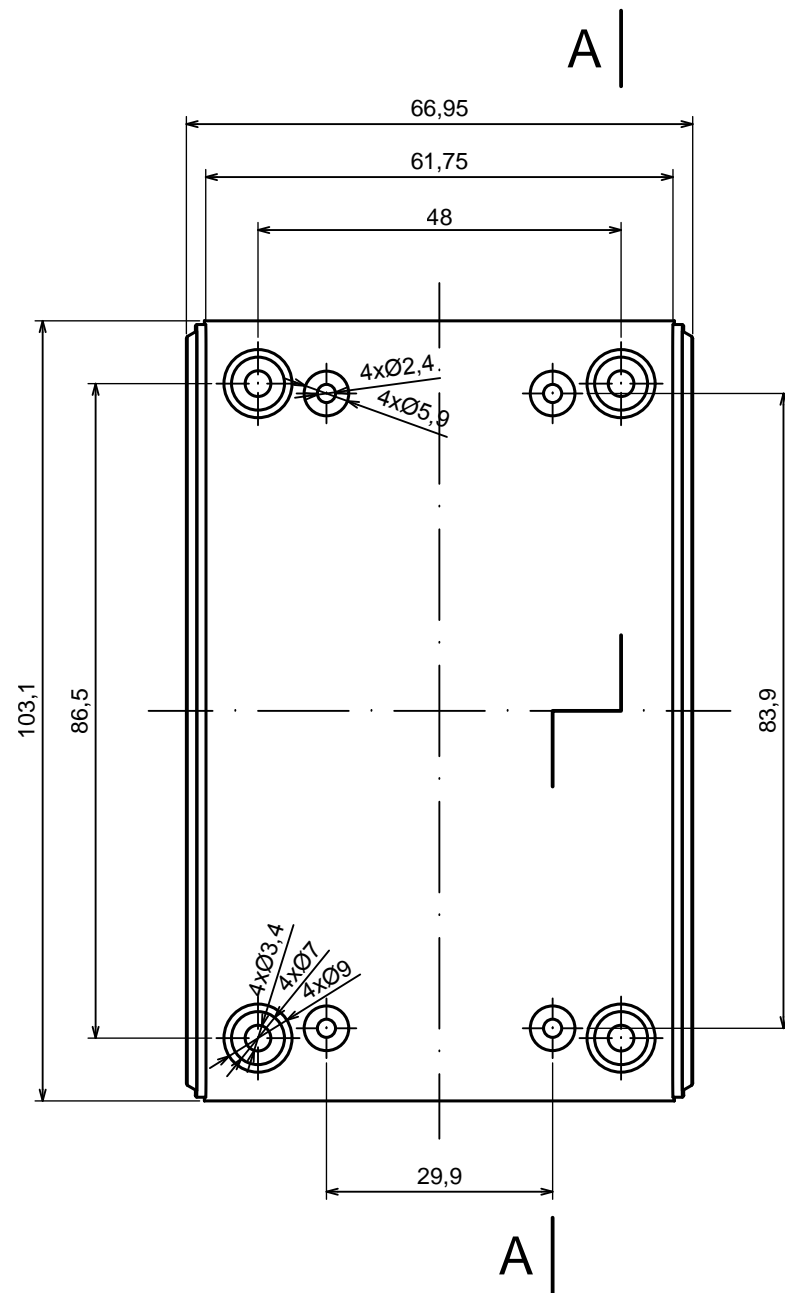
All rights reserved, Copyright Kradex 2016

Product model      Enclosure Z122 - assembly

Format: A3      Material: PS, ABS

Scale 1:1      Tolerance: +/- 0.2





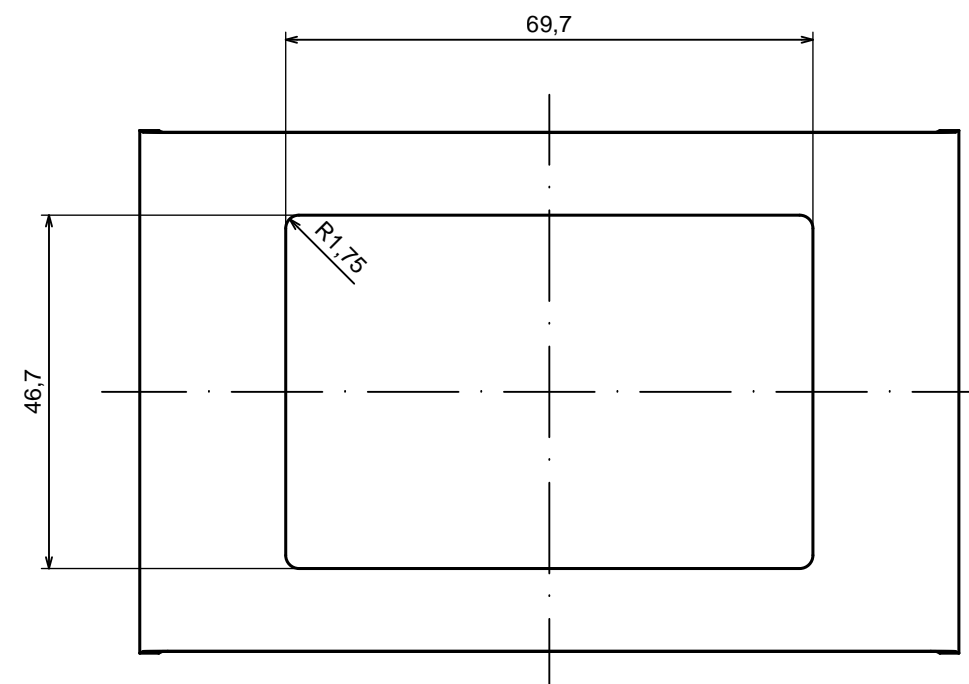
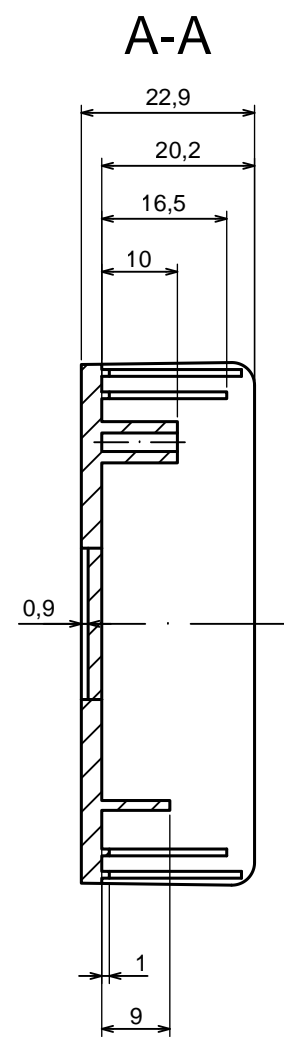
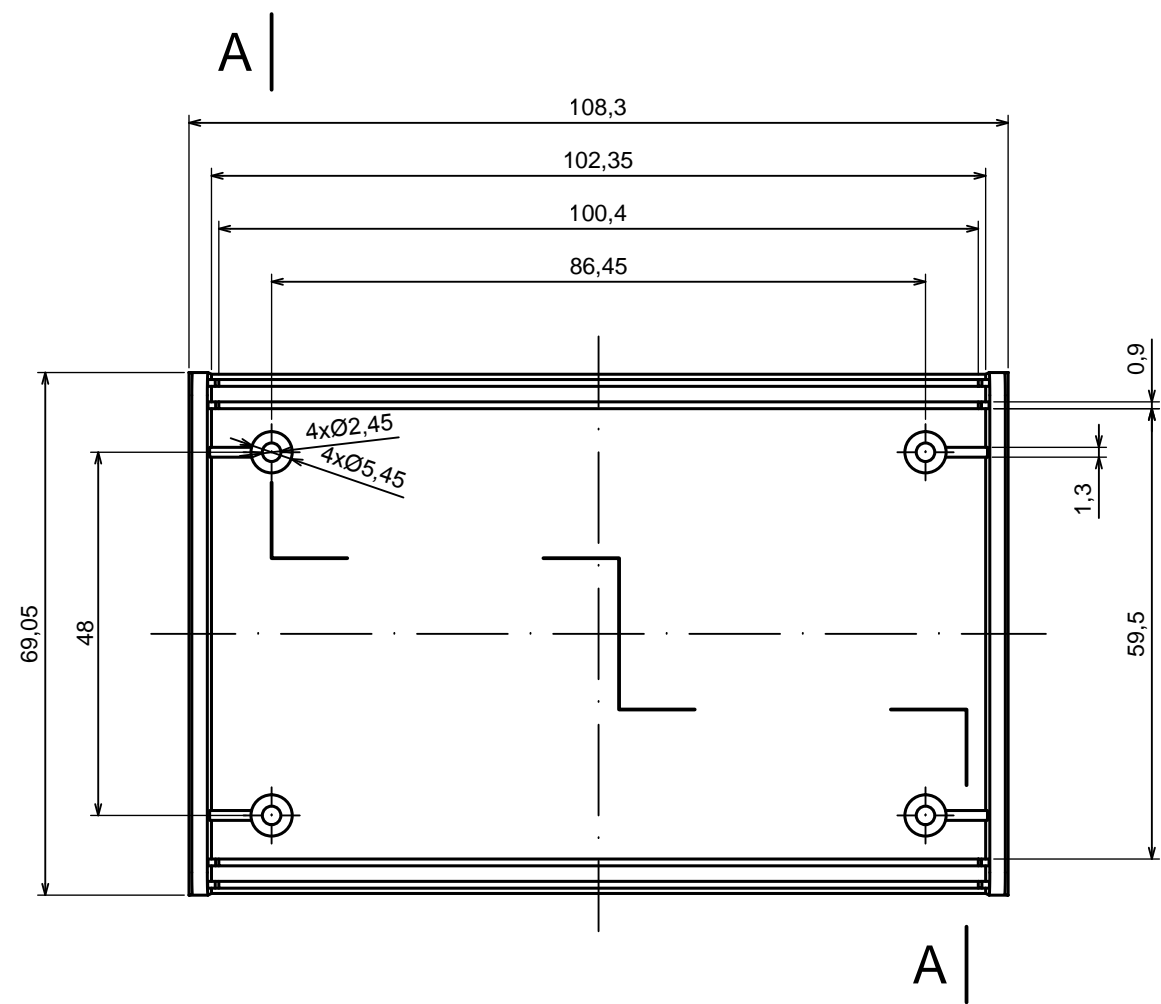
All rights reserved, Copyright Kradex 2016

Product model Enclosure Z122 - base

Format: A3 Material: PS, ABS

Scale 1:1 Tolerance: +/- 0.2





All rights reserved, Copyright Kradox 2016

Product model Enclosure Z122 - cover

Format: A3 Material: PS, ABS

Scale 1:1 Tolerance: +/- 0.2

