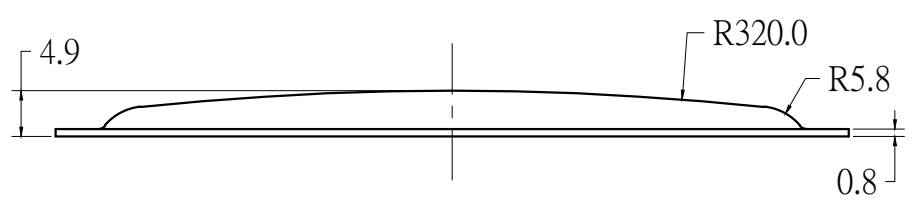
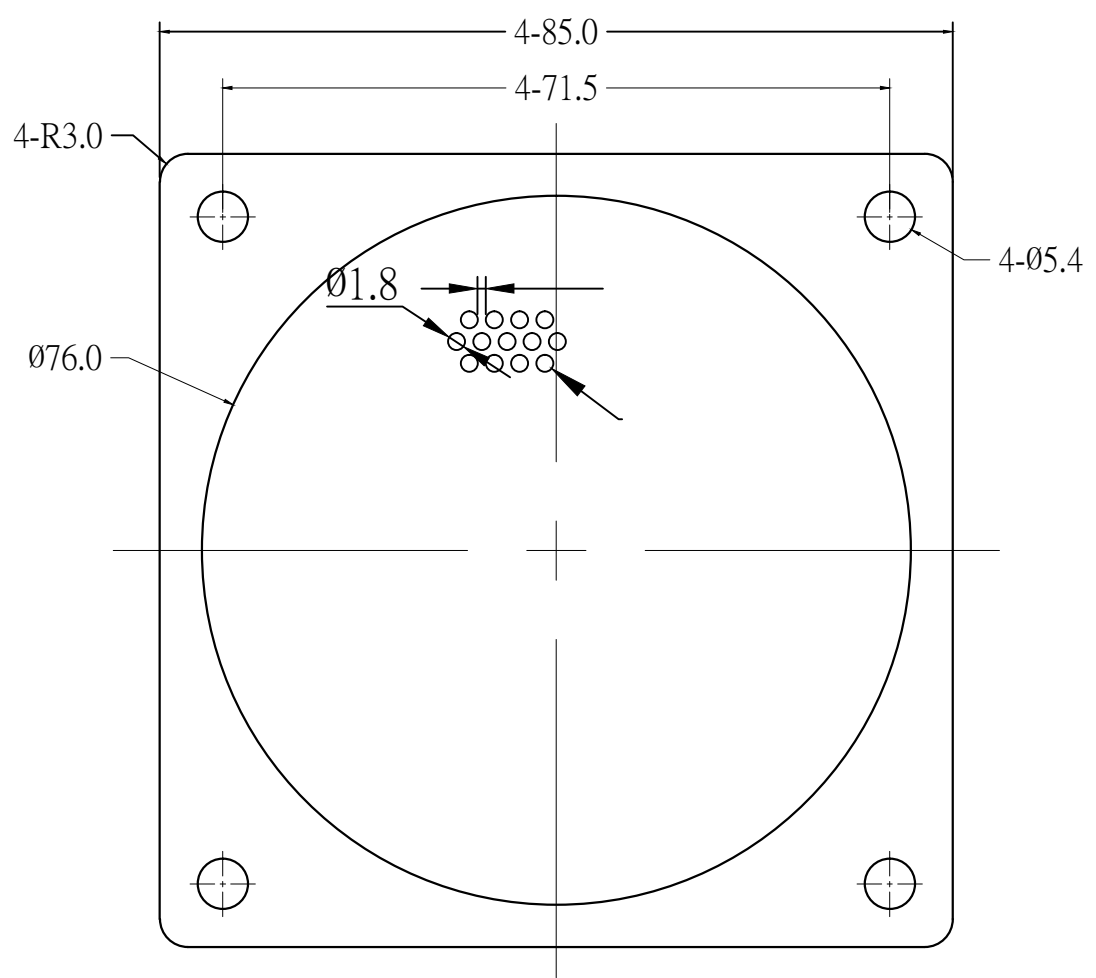
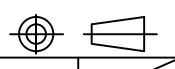


EDITION	DATE	REVISION RECORD	REVISION NO.	APPROV



- NOTES:
- 1.MATERIAL:SPCC T=0.8mm
 - 2.FINISH:BLACK ED
 - 3.GENERAL TOLERANCE UNLESS NOTED:±0.5mm.
 - 4.UNIT:mm.

DO NOT SCALE DRAWING



CUSTOMER PART NO.

DRAWN BY	CHECKED	APPROVED	SCALE	MATERIAL	PN-08
			DRAWING DATE		
			2006.09.29	FINISH	