

**■ Features**

- Highest Luminous Flux
- Super energy efficiency
- Long Lifetime Operation
- Built-in Zener Diode For ESD Protection
- Superior UV Resistance

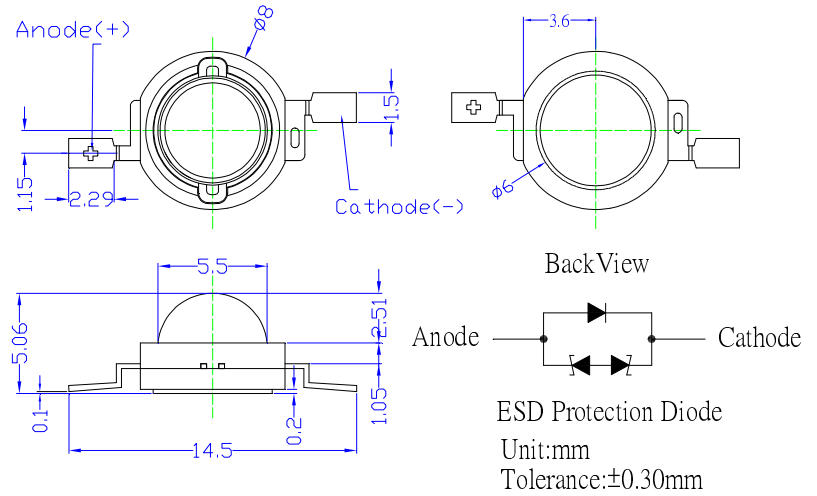
**■ Caution**

- Avoid Reflow Soldering Process

**■ Applications**

- Read lights (car, bus, aircraft)
- Portable (flashlight, bicycle)
- Bollards / Security / Garden
- Traffic signaling / Beacons
- In door / Out door Commercial lights
- Automotive Ext

**■ Outline Dimension**



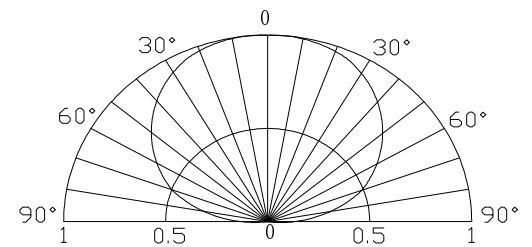
**■ Absolute Maximum Rating**

(Ta=25°C)

Item	Symbol	Value	Unit
DC Forward Current	I <sub>F</sub>	400	mA
Pulse Forward Current*	I <sub>FP</sub>	500	mA
Reverse Voltage	V <sub>R</sub>	5	V
Power Dissipation	P <sub>D</sub>	1600	mW
Operating Temperature	T <sub>opr</sub>	-30 ~ +85	°C
Storage Temperature	T <sub>stg</sub>	-40~ +100	°C
Lead Soldering Temperature	T <sub>sol</sub>	260°C/5sec	-

\*Pulse width Max.10ms Duty ratio max 1/10

**■ Directivity**

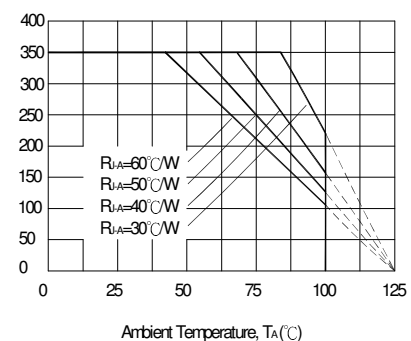


**■ Electrical -Optical Characteristics**

(Ta=25°C)

Item	Symbol	Condition	Min.	Typ.	Max.	Unit
DC Forward Voltage	V <sub>F</sub>	I <sub>F</sub> =350mA	3.0	3.3	4.0	V
DC Reverse Current	I <sub>R</sub>	V <sub>R</sub> =5V	-	-	10	μA
Luminous Flux	Φ <sub>v</sub>	I <sub>F</sub> =350mA	90	100	-	lm
Color Temperature	CCT	I <sub>F</sub> =350mA	-	6500	-	K
Chromaticity Coordinates*	x	I <sub>F</sub> =350mA	-	0.31	-	-
	y	I <sub>F</sub> =350mA	-	0.33	-	-
50% Power Angle	2θ <sub>1/2</sub>	I <sub>F</sub> =350mA	-	140	-	deg

**■ Forward Operating Current (DC)**



Note: Don't drive at rated current more than 5s without heat sink for Xeon 1 emitter series.