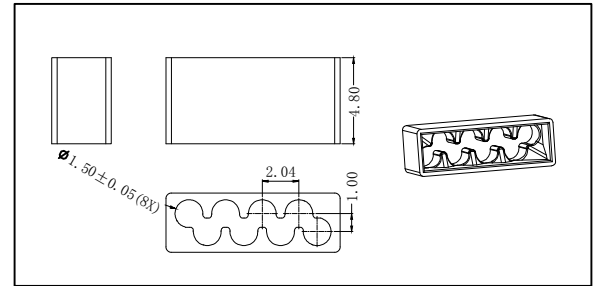
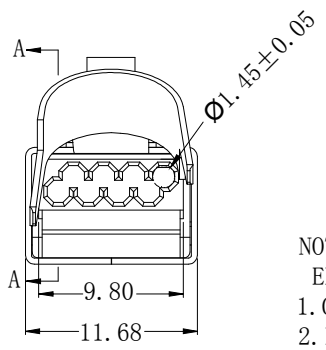
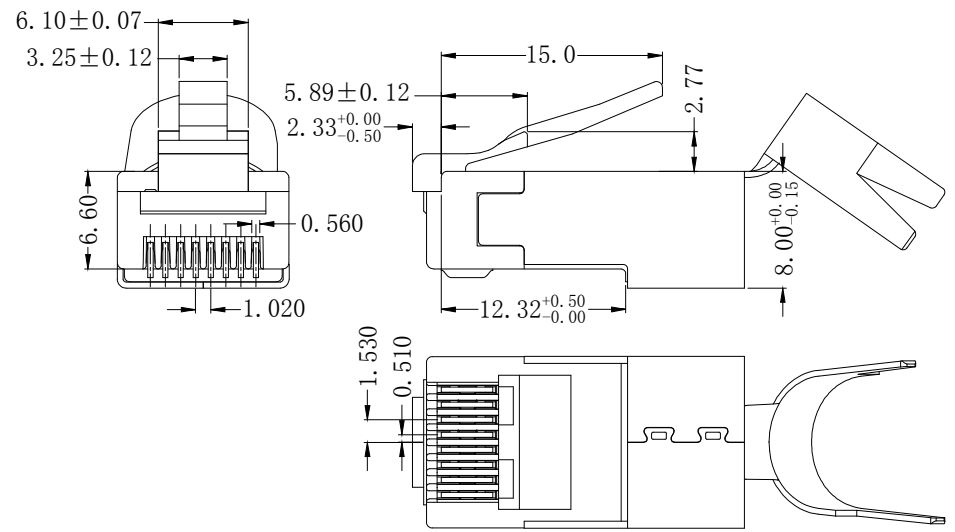
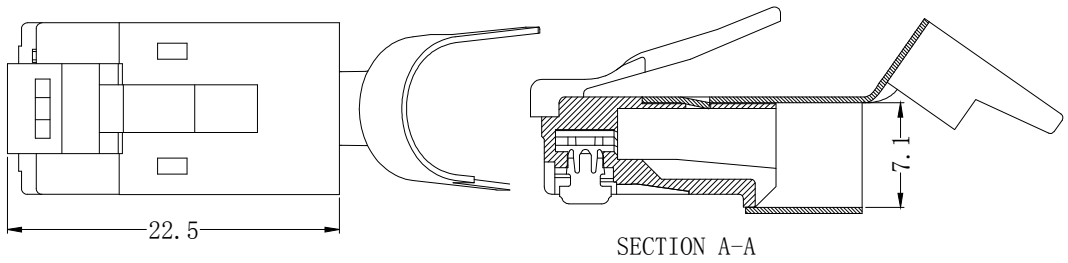


THE INFORMATION CONTAINED IN THIS DRAWING IS THE SOLE PROPERTY OF 2DIRECT GMBH. ANY REPRODUCTION IN PART OR WHOLE WITHOUT THE WRITTEN PERMISSION OF 2DIRECT GMBH IS PROHIBITED. WE RESERVE THE RIGHT TO MAKE TECHNICAL CHANGES. TECHNISCHE ÄNDERUNGEN VORBEHALTEN.

REVISIONS			
REV	DESCRIPTION	DATE	APPROVED
A	INITIAL RELEASE	09/10/18	



- NOTES:
- ELECTRICAL:
- Contact Resistance : 20MΩ MAX
 - Insulation Resistance : 500MΩ MIN @ 100V DC min
 - Withstand Voltage : 1000V AC
 - Voltage, Current: 125V AC 1.5A 25°C
- MECHANICAL
- insertion force&withdrawal force:30N MAX.
 - RJ45 Contact Life: 750 Times Min
- ENVIRONMENTAL:
- Storage : -40° T0+70°
 - Operation : -10° to+60°
- RoHS 2.0 and REACH Compliant



ITEM NO.	PACKING
MP0030	10PCS/PE BAG
MP0033	50PCS/PE BAG

MATERIAL LIST:

NO.	PARTS NAME	SPECIFICATION STANDARD	QT' Y	REMARK
⑥	Conductor	Stranded&solid Cable	1	
⑤	Colour	Transparent	1	
④	Gold plating	50u"	8	
③	Contact blade	COPPER ALLOY	1	
②	Shell	Copper nickel plating	1	
①	Housing	POLYCARBONATE UL 94V2 used for the cable with the insulation OD from 1.2-1.45mm	1	

DIMENSIONAL TOLERANCES UNLESS OTHERWISE NOTED			APPROVALS		DATE
TOLERANCE	inch	mm	DRAWN BY	10/31/19	
.X			CHECKED BY	10/31/19	
.XX			APPROVED BY	10/31/19	
.XXX					

PROJECTION	CONFIGURATION DETAIL OF UNDIMENSIONED FEATURES MAY VARY

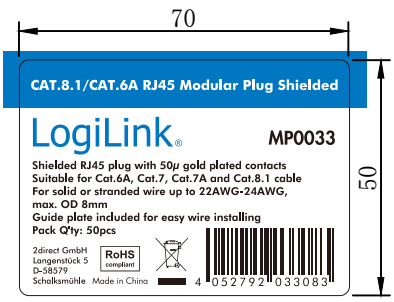
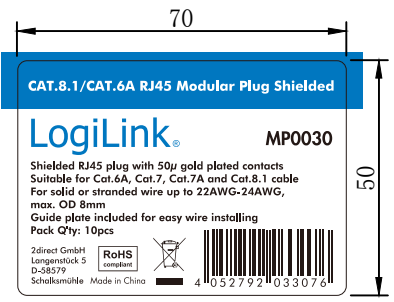
2direct GmbH

PRODUCT TITLE
Shielded modular plug for CAT8.1/CAT.6A

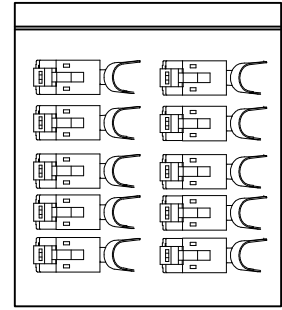
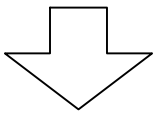
ITEM NO. MP0030 MP0033	DWG.NO.	REV. A
COLOR VARIATIONS MAY OCCUR	SCALE:NONE	UNITS:mm
	SHEET	/1

THE INFORMATION CONTAINED IN THIS DRAWING IS THE SOLE PROPERTY OF 2DIRECT GMBH. ANY REPRODUCTION IN PART OR WHOLE WITHOUT THE WRITTEN PERMISSION OF 2DIRECT GMBH IS PROHIBITED. WE RESERVE THE RIGHT TO MAKE TECHNICAL CHANGES. TECHNISCHE ÄNDERUNGEN VORBEHALTEN.

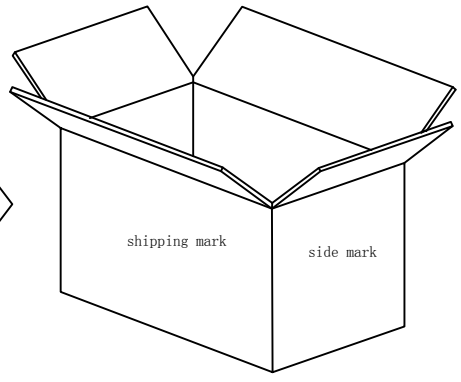
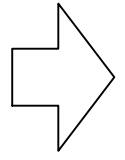
REVISIONS			
REV	DESCRIPTION	DATE	APPROVED
A	INITIAL RELEASE	09/10/18	



TABLE

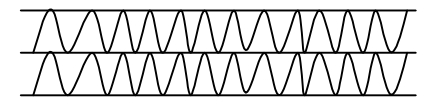


PE BAG+LABEL

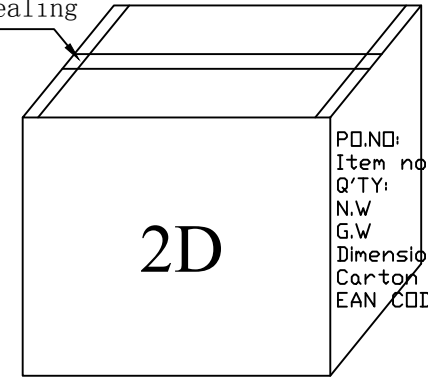


Outer carton

Five layer corrugated carton(outer carton):



"I" Sealing



Outer carton

NO.	PARTS NAME	SPECIFICATION STANDARD	QT' Y	REMARK	DIMENSIONAL TOLERANCES UNLESS OTHERWISE NOTED			APPROVALS		DATE	2direct GmbH				
					TOLERANCE	inch	mm	DRAWN BY	10/31/19	PRODUCT TITLE	ITEM NO.	DWG.NO.	REV.		
					.X			CHECKED BY	10/31/19		Shielded modular plug for CAT8.1/CAT.6A	MP0030 MP0033	SCALE:NONE	UNITS:mm	SHEET /2
				.XX			APPROVED BY	10/31/19							
				.XXX											
					PROJECTION			CONFIGURATION DETAIL OF UNDIMENSIONED FEATURES MAY VARY			COLOR VARIATIONS MAY OCCUR				