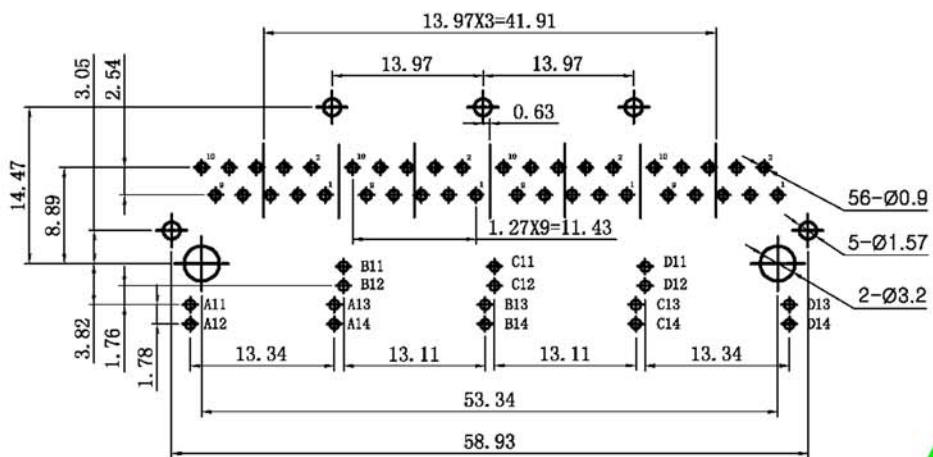


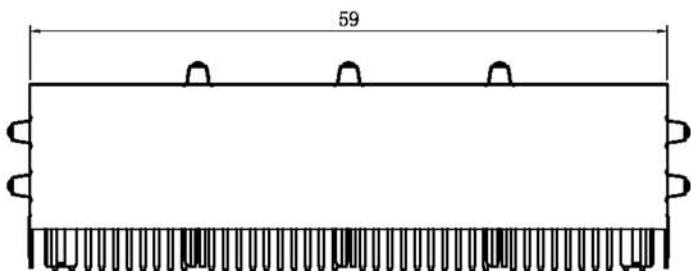
Ordering Information

LMJ304881XG411NL

Contact plating
 1=15u" Gold
 2= 30u" Gold
 3= 50u" Gold
 4= 6u" Gold



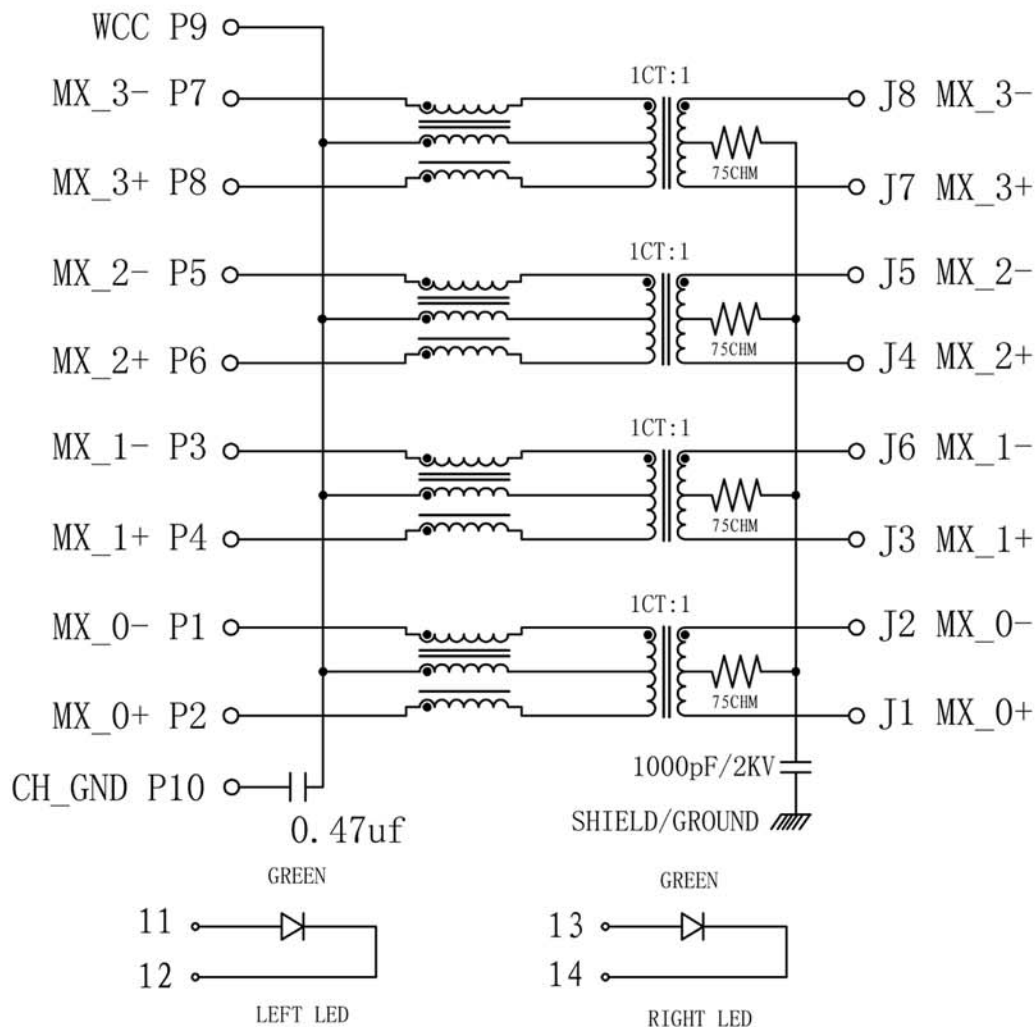
PC Board Layout



GENERAL SPECIFICATION

- DESIGNED FOR NETWORK INTERFACE CARD APPLICATION
- MEETS OR EXCEEDS IEEE802.3 STANDARDS INCLUDING 350UH OCL WITH 8MADC
- HIGH PERFORMANCE FOR EMI SUPPRESSION, CROSSTALK RETURN LOSS AND CONSTANT ELECTRICAL
- MINIMUM 1500VRMS ISOLATION PER IEEE802.3 REQUIREMENT
- LESS MAGNETIC COMPONENTS TO PLACE ON PCB, HIGHER RELIABILITY AND YIELDS
- STORAGE TEMP RANGE: -25°C TO +85°C
- OPERATING TEMP RANGE: 0°C TO +70°C
- FW: WITHSTAND VOLTAGE TEST RESULT -1.5KV AMONG ADJACENT CONTACT AND 2.0 KV BETWEEN CONTACT AND SHIELD REQUEST
- MATERIAL
 HOUSING: PBT FILLED WITH FIBERGLASS
 INSERT MATERIAL: PBT FILLED WITH FIBERGLASS
 SHIELDING: 0.2MM THICKNESS COPPER ALLOY WITH NICKEL PLATED
 CONTACT: 0.35MM THICKNESS PHOSPHOR BRONZE, GOLD PLATED OVER NICKEL

TOLERANCE (mm)	APPROVALS	DATE	TITLE	AMPHENOL Amphenol European Design Center	
X. ±0.3	DRAWN Stephane	17/Dec/2010	Gigabit Modular Jack RJ45 1x4port Dip R/A Type w/LED	Scale N.A.	Sheet 1 of 2
X.X ±0.2	CHECKED Rob	17/Dec/2010			
X.XX ±0.15	APPROVED Rob	17/Dec/2010			
UNLESS OTHERWISE SPECIFIED	UNIT: mm		SIZE: A4	DRAWING N°: LMJ304881XG411NL	REV. B



ELECTRICAL SPECIFICATIONS

ALL TEST CONDITIONS @ 25 °C UNLESS OTHERWISE NOTED

DIELECTRIC/RATING: 1:1 ±2%

INSERTION LOSS: 1-100MHZ-1.0dB MAX

RETURN LOSS: 1MHZ TO 10MHZ : -18dB MIN
 10MHZ TO 30MHZ : -16dB MIN
 30MHZ TO 60MHZ : -14dB MIN
 60MHZ TO 80MHZ : -12dB MIN

CROSSTALK: 1MHZ TO 100MHZ : -35dB MIN

COMMON MODE REJECTION: 1-100MHZ : -35dB MIN

HIPOT: 1500V AC 1mA 1S BETWEEN PRIMARY AND SECONDARY

OCL: PRIMAR INDUCTANCE 350µH MIN @ 100KHz 0.1V 8mA DC BIAS

DCR: COIL RESISTANCE 1.5 Ω MAX

C=1000pf ±25%; R=(75+75) Ω ±25%



TOLERANCE (mm)	APPROVALS	DATE	TITLE Gigabit Modular Jack RJ45 1x4port Dip R/A Type w/LED	AMPHENOL Amphenol European Design Center	
X. ±0.3	DRAWN Stephane	17/Dec/2010		Scale N.A.	Sheet 2 of 2
X.X ±0.2	CHECKED Rob	17/Dec/2010			
X.XX ±0.15	APPROVED Rob	17/Dec/2010			
UNLESS OTHERWISE SPECIFIED		UNIT : mm	SIZE : A4	DRAWING N° LMJ304881XG411NL	REV. B