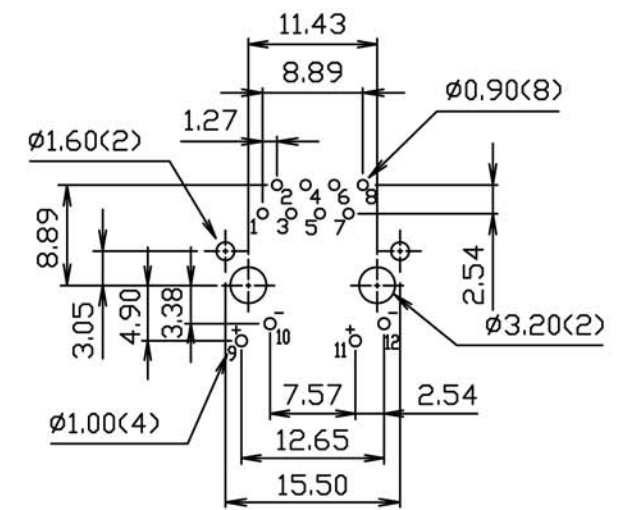


**MATERIALS:**

- HOUSING-DSM STANYL TE250F6 (NYLON-46)  
HEAT DEFLECTIO TEMP.290°  
BLACK COLOR, UL94V-0
- CONTACTS-0.35mm THICK PHOS-BRONZE PLATED  
WITH HARD GOLD AND TIN ON SOLDER  
AREA.
- SHIELD-0.25mm THICK COPPER ALLOY,  
PLATED WITH NICKEL.

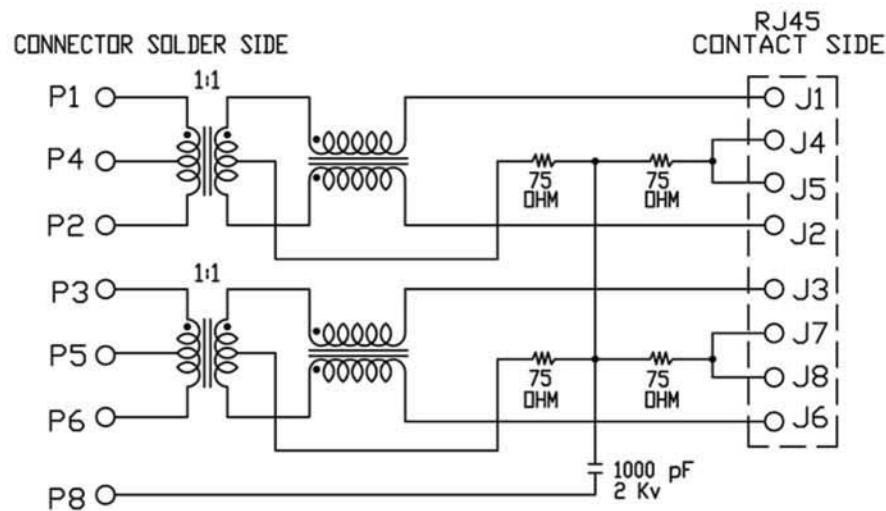
CAVITY CONFIRMS TO FCC RULES AND REGULATIONS  
PART 68,SUBPART F.



| TOLERANCE (mm)             | APPROVALS         | DATE        | TITLE  | AMPHENOL<br>Amphenol European<br>Design Center |                                    |
|----------------------------|-------------------|-------------|--|--|------------------------------------|
| X. ±0.3                    | DRAWN<br>Stephane | 13/Jul/2010 | Transformer RJ45 Dip<br>R/A w/EMI fingers &<br>LED | Scale N.A.                                     | Sheet 1 of 2                       |
| X.X ±0.2                   | CHECKED<br>Rob    | 13/Jul/2010 |  |  |                                    |
| X.XX ±0.15                 | APPROVED<br>Rob   | 13/Jul/2010 |  |  |                                    |
| UNLESS OTHERWISE SPECIFIED |                   |             | UNIT: mm   | SIZE: A4                                       | DRAWING N°: LMJ199882X130DL1TOHLFG |
|                            |                   |             |  |  | REV. A                             |

Specification :

| Item | Parameter  | Condition    | Min. | Typ. | Max. | Unit | REMARK |
|------|--|--------------|------|------|------|------|--------|
| 1    | Insertion loss                                   | 1-100 MHz    |      |      | -1   | dB   |        |
| 2    | Return loss                                      | 1-30 MHz     | -20  |      |      | dB   |        |
|      |  | 30-60 MHz    | -15  |      |      | dB   |        |
|      |  | 60-80 MHz    | -11  |      |      | dB   |        |
| 3    | Primary Inductance @100KHz, 0.1Vrms, 8mA DC BIAS | (1-2), (7-8) | 350  |      |      | μH   |        |
| 4    | Crosstalk  | 1-100 MHz    | -30  |      |      | dB   |        |
| 5    | Hipot  | Vrms         | 1.5  |      |      | kV   |        |



CONNECTOR SCHEMATIC

## Ordering Information

LMJ199882X130DL1TOHLFG

a

a: Contact plating

1:15U" gold

2:30U" gold

3:50U" gold

4:6U" gold



| TOLERANCE (mm)             | APPROVALS         | DATE        | TITLE  | AMPHENOL<br>Amphenol European Design Center |              |
|----------------------------|-------------------|-------------|--|---|--------------|
| X, ±0.3                    | DRAWN<br>Stephane | 13/Jul/2010 | Transformer RJ45 Dip<br>R/A w/EMI fingers &<br>LED | Scale N.A.                                  | Sheet 2 of 2 |
| X.X ±0.2                   | CHECKED<br>Rob    | 13/Jul/2010 |  |   |              |
| X.XX ±0.15                 | APPROVED<br>Rob   | 13/Jul/2010 |  |   |              |
| UNLESS OTHERWISE SPECIFIED | UNIT: mm          |             | SIZE: A4   | DRAWING N° LMJ199882X130DL1TOHLFG           |              |
|                            |                   |             |  | REV. A                                      |              |