

# Tubular ring terminals, KM type

## FEATURES & BENEFITS

- ring terminal Cu, standard, without galvanic tin plating
- description of cable cross-section and terminal size on fin surface
- popular version for demanding applications, if tin plating not required
- very broad range

## MECHANICAL DATA

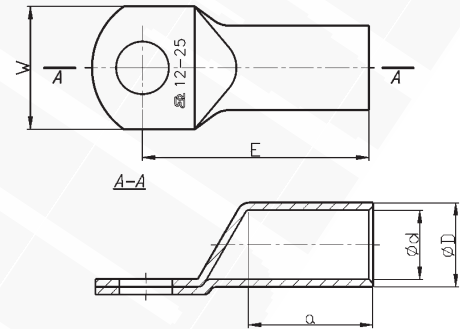
Material	Cu
Covering	uncoated

## CERTIFICATES & STANDARDS

Design	standard
--------	----------

### Note!

Sector-shaped conductors (sm) must be rounded with special dies.



Type	Index Ergom	Cross-section, rm/sm [mm <sup>2</sup> ]	d	D	a	E	W	Screw hole	Socket code no.	Lz/s	Lz/w	Quantity in package [pcs]	Weight [kg]
KM 0,75/3 (100 PCS)	E11KM-01010100100	0,75	1,3	2,8	5,8	12,0	6,0	M3	-	-	1	100	0,06
KM 0,75/4 (100 PCS)	E11KM-01010100200					13,0	6,5	M4					
KM 0,75/5 (100 PCS)	E11KM-01010100300					14,0	7,5	M5					
KM 1,5/3 (100 PCS)	E11KM-01010100400	1,5	1,8	3,3	5,8	12,0	6,5	M3	-	-	1	100	0,08
KM 1,5/4 (100 PCS)	E11KM-01010100500					13,0	7,5	M4					0,1
KM 1,5/5 (100 PCS)	E11KM-01010100600					14,0	7,5	M5					0,09
KM 1,5/6 (100 PCS)	E11KM-01010100700	2,5	2,3	4,2	5,8	16,0	9,0	M6	-	-	1	100	0,1
KM 2,5/3 (100 PCS)	E11KM-01010100800					12,0	7,5	M3					0,13
KM 2,5/4 (100 PCS)	E11KM-01010100900					13,0	7,5	M4					0,14
KM 2,5/5 (100 PCS)	E11KM-01010101000	2,5	2,3	4,2	5,8	14,0	8,5	M5	-	-	1	100	0,14
KM 2,5/6 (100 PCS)	E11KM-01010101100					16,0	9,5	M6					0,16
KM 2,5/8 (100 PCS)	E11KM-01010101200					20,0	13,0	M8					0,19
KM 4/4 (100 PCS)	E11KM-01010101300	4	3,0	5,0	7,8	18,0	8,5	M4	-	-	1	100	0,22
KM 4/5 (100 PCS)	E11KM-01010101400					19,0	9,0	M5					0,26
KM 4/6 (100 PCS)	E11KM-01010101500					19,0	10,0	M6					0,28
KM 4/8 (100 PCS)	E11KM-01010101600	6	4,0	6,0	8,7	22,0	13,0	M8	4	1	1	100	0,28
KM 6/4 (100 PCS)	E11KM-01010101700					18,0	9,5	M4					0,3
KM 6/5 (100 PCS)	E11KM-01010101800					19,0	10,0	M5					0,31
KM 6/6 (100 PCS)	E11KM-01010101900	6	4,0	6,0	8,7	19,0	10,0	M6	4	1	1	100	0,35
KM 6/8 (100 PCS)	E11KM-01010102000					22,0	14,0	M8					0,37
KM 6/10 (100 PCS)	E11KM-01010102100					25,0	16,0	M10					0,4
KM 6/12 (100 PCS)	E11KM-01010102200	10	4,5	7,0	10	25,0	19,0	M12	7	1	1	100	0,53
KM 10/5 (100 PCS)	E11KM-01010102300					21,0	12,0	M5					10
KM 10/5 (10 PCS)	E11KM-01010102302					10	0,06						
KM 10/6 (100 PCS)	E11KM-01010102400	10	4,5	7,0	10	21,5	12,0	M6	7	1	1	100	0,52
KM 10/6 (10 PCS)	E11KM-01010102402					10	0,06						
KM 10/8 (100 PCS)	E11KM-01010102500					100	0,6						
KM 10/8 (10 PCS)	E11KM-01010102502	10	0,06										
KM 10/10 (100 PCS)	E11KM-01010102600	10	4,5	7,0	10	25,5	17,0	M10	7	1	1	100	0,65
KM 10/10 (10 PCS)	E11KM-01010102602					10	0,07						
KM 10/12 (100 PCS)	E11KM-01010102700					100	0,64						
KM 10/12 (10 PCS)	E11KM-01010102702	10	0,07										

Type	Index Ergom	Cross-section, rm/sm [mm <sup>2</sup> ]	d	D	a	E	W	Screw hole	Socket code no.	Lz/s	Lz/w	Quantity in package [pcs]	Weight [kg]							
KM 16/5 (100 PCS)	E11KM-01010102800	16	5,5	8,5	13	25,0	12,0	M5	8	1	2	100	0.91							
KM 16/5 (10 PCS)	E11KM-01010102802							10				0.1								
KM 16/6 (100 PCS)	E11KM-01010102900					25,5	M6	100				0.9								
KM 16/6 (10 PCS)	E11KM-01010102902							10				0.1								
KM 16/8 (100 PCS)	E11KM-01010103000					27,5	15,0	M8				100	0.97							
KM 16/8 (10 PCS)	E11KM-01010103002							10				0.1								
KM 16/10 (100 PCS)	E11KM-01010103100					29,5	17,0	M10				100	1							
KM 16/10 (10 PCS)	E11KM-01010103102							10				0.1								
KM 16/12 (100 PCS)	E11KM-01010103200					30,5	19,0	M12				100	1.1							
KM 16/12 (10 PCS)	E11KM-01010103202							10				0.12								
KM 25/6 (100 PCS)	E11KM-01010103400					25	7,0	10,0				15	28,5	14,0	M6	10	1	2	100	1.22
KM 25/6 (10 PCS)	E11KM-01010103402														10				0.13	
KM 25/8 (100 PCS)	E11KM-01010103500	30,5	16,0	M8	100				1.25											
KM 25/8 (10 PCS)	E11KM-01010103502			10	0.13															
KM 25/10 (100 PCS)	E11KM-01010103600	32,5	18,0	M10	100				1.3											
KM 25/10 (10 PCS)	E11KM-01010103602			10	0.14															
KM 25/12 (100 PCS)	E11KM-01010103700	33,5	19,0	M12	100				1.3											
KM 25/12 (10 PCS)	E11KM-01010103702			10	0.14															
KM 25/14 (100 PCS)	E11KM-01010103800	35,5	21,0	M14	100				1.45											
KM 25/14 (10 PCS)	E11KM-01010103802			10	0.15															
KM 35/6 (100 PCS)	E11KM-01010103900	35	8,5	12,0	17				31,5	18,0	M6		12	1	2				100	1.8
KM 35/6 (10 PCS)	E11KM-01010103902										10								0.2	
KM 35/8 (100 PCS)	E11KM-01010104000					33,5	M8	100	1.94											
KM 35/8 (10 PCS)	E11KM-01010104002							10	0.2											
KM 35/10 (100 PCS)	E11KM-01010104100					35,5	M10	100	2.1											
KM 35/10 (10 PCS)	E11KM-01010104102							10	0.22											
KM 35/12 (100 PCS)	E11KM-01010104200					36,5	20,0	M12	100	2.05										
KM 35/12 (10 PCS)	E11KM-01010104202							10	0.22											
KM 35/14 (100 PCS)	E11KM-01010104300					38,5	21,0	M14	100	2.2										
KM 35/14 (10 PCS)	E11KM-01010104302							10	0.22											
KM 35/16 (100 PCS)	E11KM-01010104400					39,5	26,0	M16	100	2.3										
KM 35/16 (10 PCS)	E11KM-01010104402							10	0.23											
KM 50/6 (100 PCS)	E11KM-01010104500	50	10,0	14,0	19	34,5	20,0	M6	14	1	2	100	2.58							
KM 50/6 (10 PCS)	E11KM-01010104502							10				0.26								
KM 50/8 (100 PCS)	E11KM-01010104600					36,5	20,0	M8				100	2.8							
KM 50/8 (10 PCS)	E11KM-01010104602							10				0.28								
KM 50/10 (100 PCS)	E11KM-01010104700					38,5	M10	100				3.05								
KM 50/10 (10 PCS)	E11KM-01010104702							10				0.3								
KM 50/12 (100 PCS)	E11KM-01010104800					39,5	23,0	M12				100	2.95							
KM 50/12 (10 PCS)	E11KM-01010104802							10				0.3								
KM 50/14 (100 PCS)	E11KM-01010104900					41,5	M14	100				3.2								
KM 50/14 (10 PCS)	E11KM-01010104902							10				0.4								
KM 50/16 (100 PCS)	E11KM-01010105000					42,5	28,0	M16				100	3.3							
KM 50/16 (10 PCS)	E11KM-01010105002							10				0.4								
KM 50/20 (100 PCS)	E11KM-01010105100	47,0	30,0	M20	100	3.6														
KM 50/20 (10 PCS)	E11KM-01010105102			10	0.4															
KM 70/6 (100 PCS)	E11KM-01010105200	70	12,0	16,5	21	40,5	23,0	M6	16	1	2	100	4.25							
KM 70/6 (10 PCS)	E11KM-01010105202							10				0.5								
KM 70/8 (100 PCS)	E11KM-01010105300					43,5	M8	100				4.2								
KM 70/8 (10 PCS)	E11KM-01010105302							10				0.5								
KM 70/10 (100 PCS)	E11KM-01010105400					43,5	M10	100				4.6								
KM 70/10 (10 PCS)	E11KM-01010105402							10				0.5								
KM 70/12 (100 PCS)	E11KM-01010105500					46,5	28,0	M12				100	4.4							
KM 70/12 (10 PCS)	E11KM-01010105502							10				0.5								
KM 70/14 (100 PCS)	E11KM-01010105600					46,5	M14	100				4.9								
KM 70/14 (10 PCS)	E11KM-01010105602							10				0.5								
KM 70/16 (100 PCS)	E11KM-01010105700					51,0	31,0	M16				100	4.7							
KM 70/16 (10 PCS)	E11KM-01010105702							10				0.5								
KM 70/20 (100 PCS)	E11KM-01010105800	M20	100	5																
KM 70/20 (10 PCS)	E11KM-01010105802		10	0.5																

Type	Index Ergom	Cross-section, mm/sm [mm <sup>2</sup> ]	d	D	a	E	W	Screw hole	Socket code no.	Lz/s	Lz/w	Quantity in package [pcs]	Weight [kg]																	
KM 95/8 (50 PCS)	E11KM-01010105900	95	13,5	18,0	24	47,0	26,0	M8	17	1	2	50	2.8																	
KM 95/8 (10 PCS)	E11KM-01010105902							10				0.6																		
KM 95/10 (50 PCS)	E11KM-01010106000							50				2.72																		
KM 95/10 (10 PCS)	E11KM-01010106002							10				0.6																		
KM 95/12 (50 PCS)	E11KM-01010106100							50				2.65																		
KM 95/12 (10 PCS)	E11KM-01010106102							10				0.6																		
KM 95/14 (50 PCS)	E11KM-01010106200					50,0													50	2.85										
KM 95/14 (10 PCS)	E11KM-01010106202																		10	0.6										
KM 95/16 (50 PCS)	E11KM-01010106300																		50	2.85										
KM 95/16 (10 PCS)	E11KM-01010106302																		10	0.6										
KM 95/20 (50 PCS)	E11KM-01010106400																		54,5	35,0									50	3.1
KM 95/20 (10 PCS)	E11KM-01010106402																												10	0.7
KM 120/8 (50 PCS)	E11KM-01010106500																		120	15,0	19,5	26	50,0		M10	19	1	2	50	3.3
KM 120/8 (10 PCS)	E11KM-01010106502																								10				0.7	
KM 120/10 (50 PCS)	E11KM-01010106600	50	3.15																											
KM 120/10 (10 PCS)	E11KM-01010106602	10	0.7																											
KM 120/12 (50 PCS)	E11KM-01010106700	29,0										50	3.17																	
KM 120/12 (10 PCS)	E11KM-01010106702											10	0.7																	
KM 120/14 (50 PCS)	E11KM-01010106800	53,0										50	3.4																	
KM 120/14 (10 PCS)	E11KM-01010106802											10	0.7																	
KM 120/16 (50 PCS)	E11KM-01010106900											50	3.4																	
KM 120/16 (10 PCS)	E11KM-01010106902											10	0.7																	
KM 120/20 (50 PCS)	E11KM-01010107000	57,5	35,0									50	3.5																	
KM 120/20 (10 PCS)	E11KM-01010107002											10	0.7																	
KM 150/8 (50 PCS)	E11KM-01010107100	150	16,5	21,0	29	54,0	31,0	M8	20	2	4	50	3.78																	
KM 150/8 (10 PCS)	E11KM-01010107102							10				0.8																		
KM 150/10 (50 PCS)	E11KM-01010107200							50				3.73																		
KM 150/10 (10 PCS)	E11KM-01010107202							10				0.8																		
KM 150/12 (50 PCS)	E11KM-01010107300							57,0													50	3.55								
KM 150/12 (10 PCS)	E11KM-01010107302																				10	0.8								
KM 150/14 (50 PCS)	E11KM-01010107400					57,0													50	3.9										
KM 150/14 (10 PCS)	E11KM-01010107402																		10	0.8										
KM 150/16 (50 PCS)	E11KM-01010107500																		50	3.8										
KM 150/16 (10 PCS)	E11KM-01010107502																		10	0.8										
KM 150/20 (50 PCS)	E11KM-01010107600					61,5	35,0												50	4.2										
KM 150/20 (10 PCS)	E11KM-01010107602																		10	0.9										
KM 185/10 (50 PCS)	E11KM-01010107700					185	19,0	24,0				30	56,5	35,0	M10	23	2	4	50	4.92										
KM 185/10 (10 PCS)	E11KM-01010107702														10				1											
KM 185/12 (50 PCS)	E11KM-01010107800	50	4.82																											
KM 185/12 (10 PCS)	E11KM-01010107802	10	1																											
KM 185/14 (50 PCS)	E11KM-01010107900	59,5																	50	5.35										
KM 185/14 (10 PCS)	E11KM-01010107902																		10	1.1										
KM 185/16 (50 PCS)	E11KM-01010108000																		50	5.11										
KM 185/16 (10 PCS)	E11KM-01010108002																		10	1.1										
KM 240/10 (50 PCS)	E11KM-01010108200	240	21,0	26,0	38	73,5	38,0	M10	25	2	4	50	7.3																	
KM 240/10 (10 PCS)	E11KM-01010108202							10				1.5																		
KM 240/12 (50 PCS)	E11KM-01010108300							50				7.3																		
KM 240/12 (10 PCS)	E11KM-01010108302							10				1.5																		
KM 240/14 (50 PCS)	E11KM-01010108400							M14													50	7.2								
KM 240/14 (10 PCS)	E11KM-01010108402																				10	1.5								
KM 240/16 (50 PCS)	E11KM-01010108500					50	7.1																							
KM 240/16 (10 PCS)	E11KM-01010108502					10	1.5																							
KM 240/20 (50 PCS)	E11KM-01010108600					M 20													50	7										
KM 240/20 (10 PCS)	E11KM-01010108602																		10	1.4										
KM 300/10 (25 PCS)	E11KM-01010108700	300	24,0	30,0	45	82,5	43,0	M10	28	2	-	25	5.7																	
KM 300/10 (10 PCS)	E11KM-01010108702							10				2.3																		
KM 300/12 (25 PCS)	E11KM-01010108800							25				5.5																		
KM 300/12 (10 PCS)	E11KM-01010108802							10				2.3																		
KM 300/16 (25 PCS)	E11KM-01010109000							M16													25	5.5								
KM 300/16 (10 PCS)	E11KM-01010109002																				10	2.3								
KM 300/20	E11KM-01010109100							M 20													25	5.2								
KM 300/20 (10 PCS)	E11KM-01010109050																				10	1.05								

Type	Index Ergom	Cross-section, mm <sup>2</sup>	d	D	a	E	W	Screw hole	Socket code no.	Lz/s	Lz/w	Quantity in package [pcs]	Weight [kg]			
<b>KM 400/12 (25 PCS)</b>	E11KM-01010109200	400	27,5	33,5	50	90,0	49,0	M12	32	2	-	25	6.7			
<b>KM 400/12</b>	E11KM-01010109202														0.27	
<b>KM 400/14</b>	E11KM-01010109302														1	0.28
<b>KM 400/16</b>	E11KM-01010109402															0.26
<b>KM 500/12</b>	E11KM-01010109602	500	31,0	38,0	70	112,5	55,0	M12	36	3	-	1	0.44			
<b>KM 500/20</b>	E11KM-01010109902							M20					0.43			
<b>KM 625/12</b>	E11KM-01010110002	625	34,0	40,0	70	114,0	60	M12	38	3	-	25	10.6			
<b>KM 625/20</b>	E11KM-01010110302							M20					10.33			

Lz/s - Number of crimping - wide Lz/w - Number of crimping - narrow