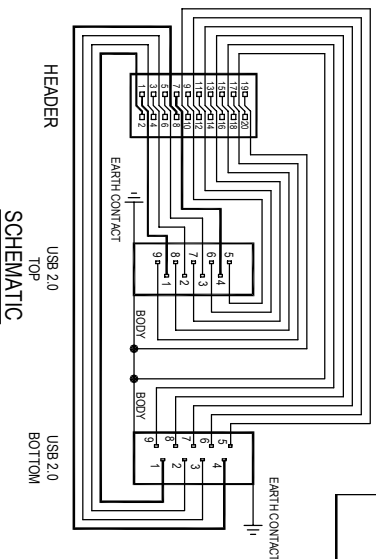
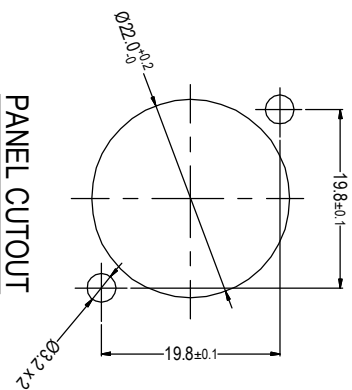
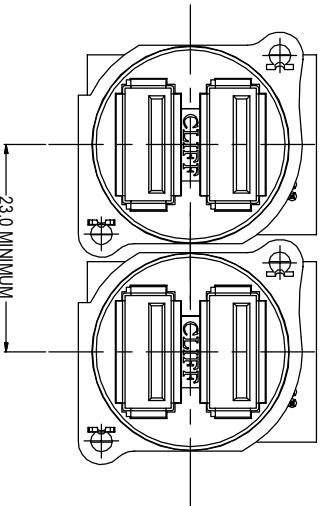


Pin No.	Header Pin
1	VBUS
2	D-
3	D+
4	GND
5	Stda_SSRX-
6	Stda_SSRX+
7	GND_DRAIN
8	Stda_SSTX-
9	Stda_SSTX+
USB Body + Panel Earth	
1	VBUS
2	D-
3	D+
4	GND
5	Stda_SSRX-
6	Stda_SSRX+
7	GND_DRAIN
8	Stda_SSTX-
9	Stda_SSTX+
USB Body + Panel Earth	



**ROHS COMPLIANT**

TOLERANCE  
 NO DEC. PLACE ±  
 1 DEC. PLACE ±  
 2 DEC. PLACE ±  
 HOLE Ø ±  
 ANGLES ±  
 UNLESS  
 OTHERWISE STATED

**Cliff Electronic Components Ltd.**

76 Holmepton Avenue, Holmepton Industrial Estate,  
 Redhill, Surrey, RH1 2PF, England, UK  
 Tel: 01737-771375 Fax: 01737-766012 Web site: www.cliffuk.co.uk

THE CONTENTS OF THIS DOCUMENT MUST NOT BE COPIED OR DISCLOSED TO A 3rd PARTY WITHOUT WRITTEN PERMISSION OF CLIFF UK. © 2014

DIMENSIONS IN MILLIMETERS UNLESS OTHERWISE STATED. WORK TO DIMENSIONS. REMOVE ALL BURRS. IF IN DOUBT ASK	3rd ANGLE PROJECTION:
MATERIAL: SEE PART DRAWINGS	
FINISH: SEE PART DRAWINGS	
DRAWN: NUB	APPROVED: DPJ

TITLE: XLR DUAL USB3.0 EARTHED WITH 2x10-WAY HEADER	DRWG. No. <b>CP 30097</b>	FORM: ADDRWH
---	---------------------------	--------------