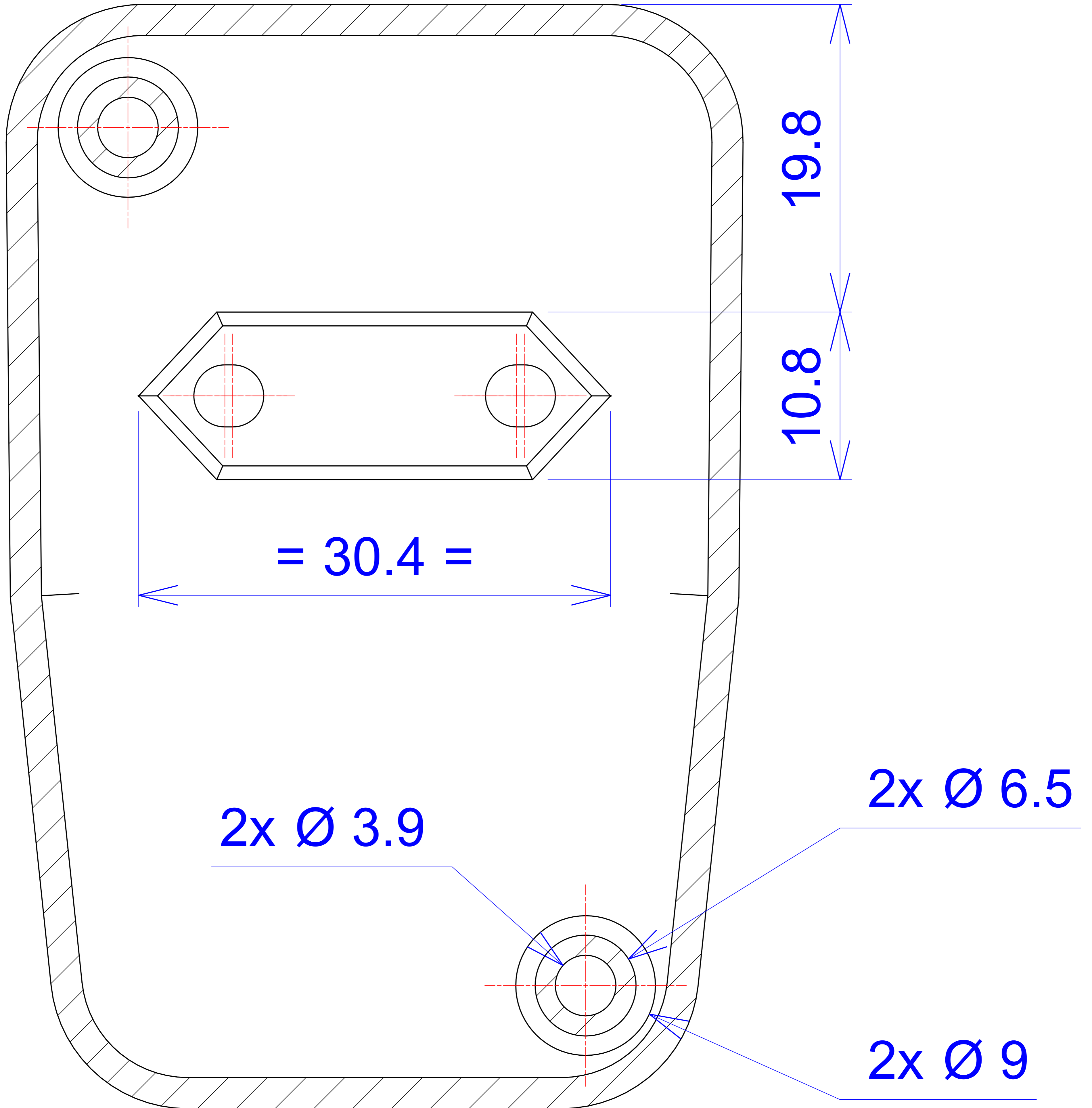
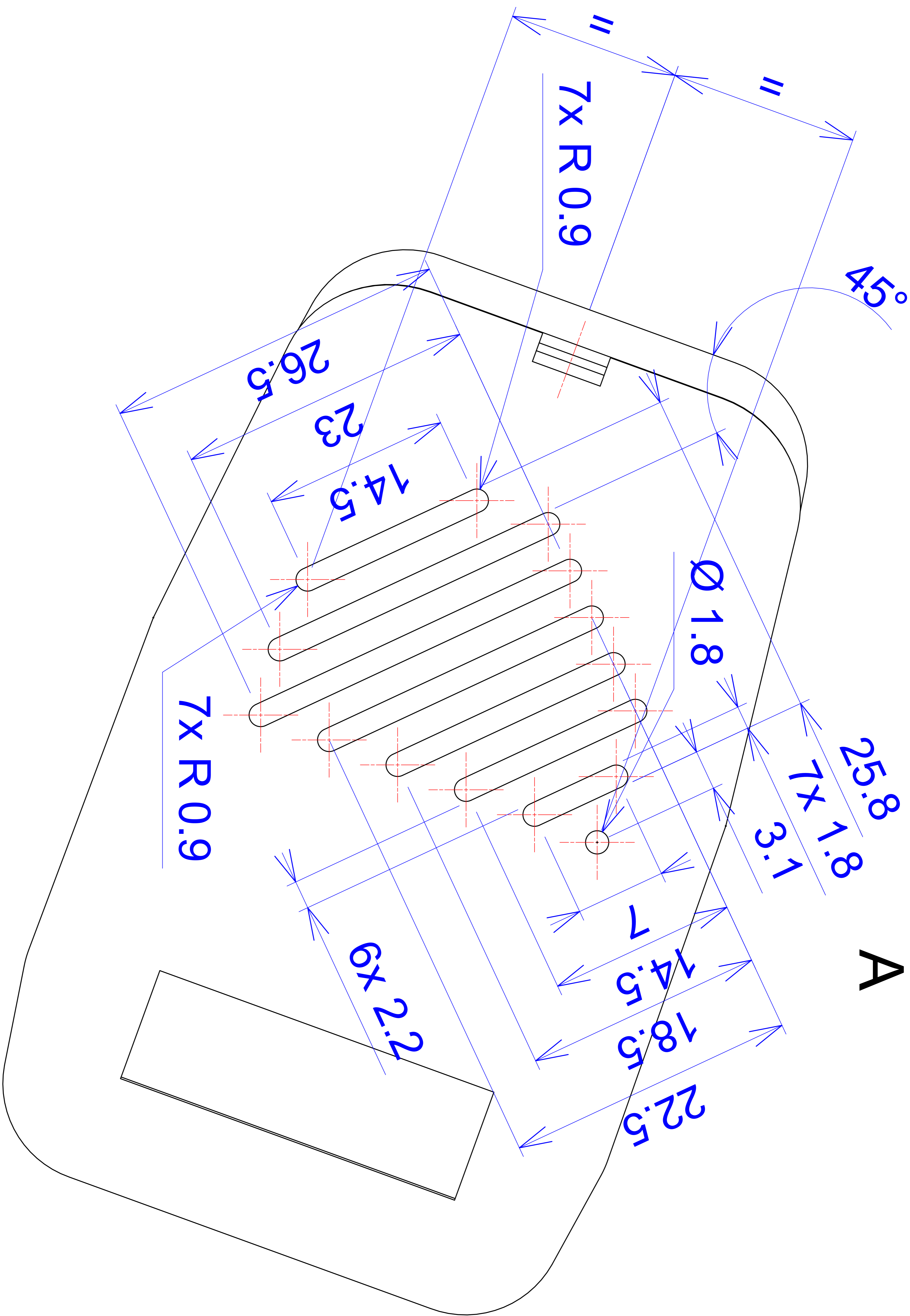
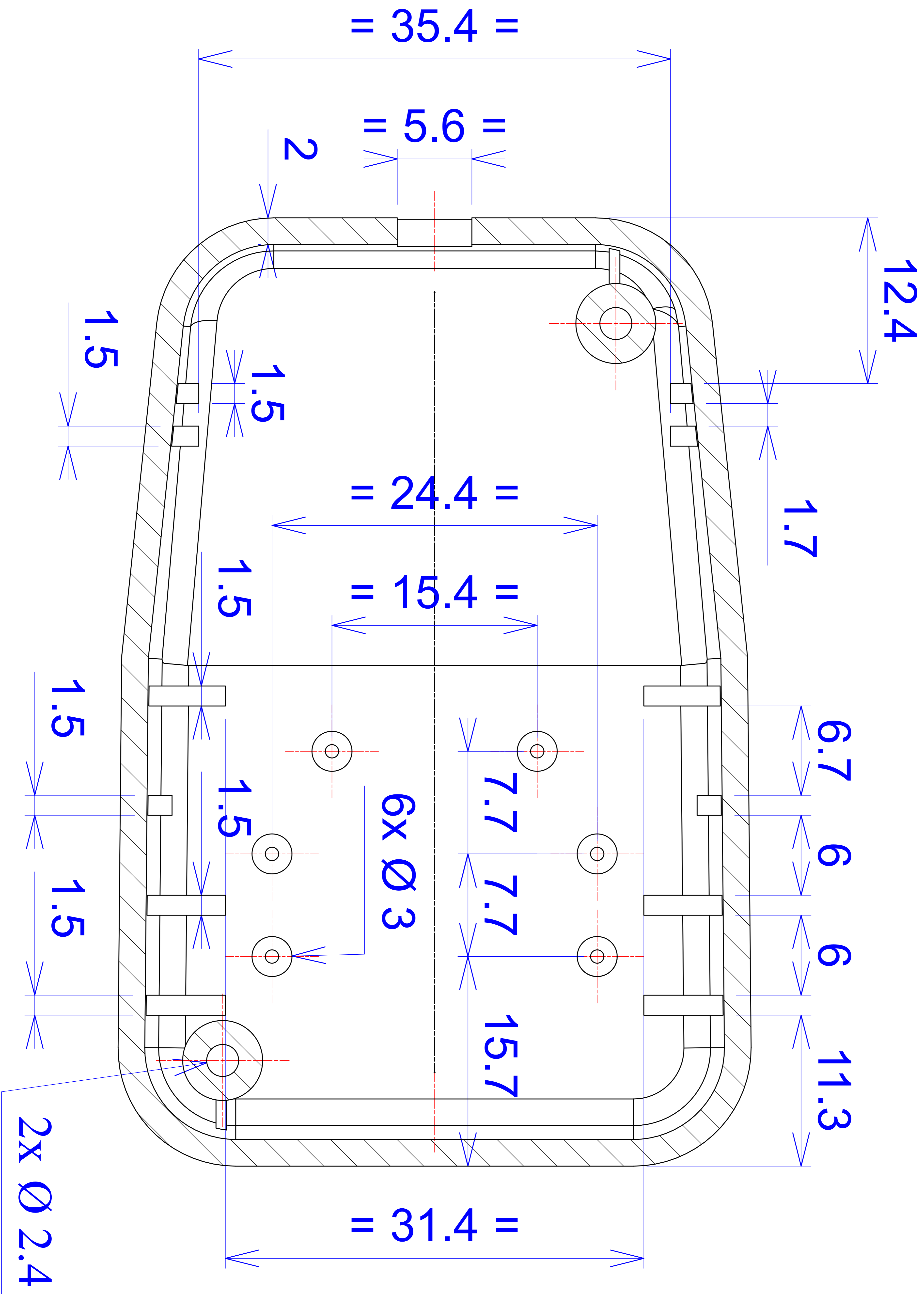


C - C





E-E



D - D

20.3

