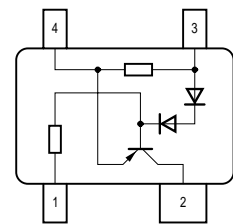
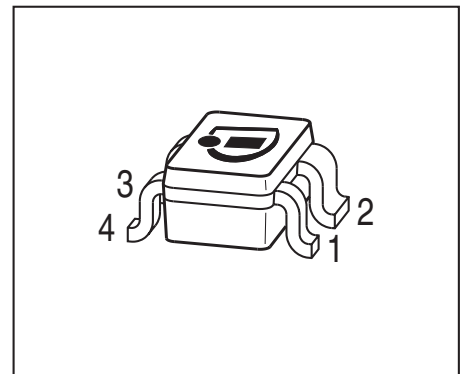


**Active Bias Controller**
**Characteristics**

- Supplies stable bias current even at low battery voltage and extreme ambient temperature variation
- Low voltage drop of 0.7V

**Application notes**

- Stabilizing bias current of NPN transistors and FET's from less than 0.2mA up to more than 200mA
- Ideal supplement for Sieget and other transistors
- also usable as current source up to 5mA


EHA07188

- Pb-free (RoHS compliant) package<sup>1)</sup>
- Qualified according AEC Q101



Type	Marking	Pin Configuration				Package
BCR400W	W4s	1=GND/ <b>E</b> <sub>NPN</sub>	2=Contr/ <b>B</b> <sub>NPN</sub>	3V <sub>S</sub>	4=Rext/ <b>C</b> <sub>NPN</sub>	SOT343

(E<sub>NPN</sub>, B<sub>NPN</sub>, C<sub>NPN</sub> are electrodes of a stabilized NPN transistor)

**Maximum Ratings**

Parameter	Symbol	Value	Unit
Source voltage	V <sub>S</sub>	18	V
Control current	I <sub>Contr.</sub>	10	mA
Control voltage	V <sub>Contr.</sub>	16	V
Reverse voltage between all terminals	V <sub>R</sub>	0.5	
Total power dissipation, T <sub>S</sub> = 117 °C	P <sub>tot</sub>	330	mW
Junction temperature	T <sub>j</sub>	150	°C
Storage temperature	T <sub>stg</sub>	-65 ... 150	

**Thermal Resistance**

Junction - soldering point <sup>2)</sup>	R <sub>thJS</sub>	≤ 100	K/W
--	-------------------	-------	-----

<sup>1</sup>Pb-containing package may be available upon special request

<sup>2</sup>For calculation of R<sub>thJA</sub> please refer to Application Note Thermal Resistance

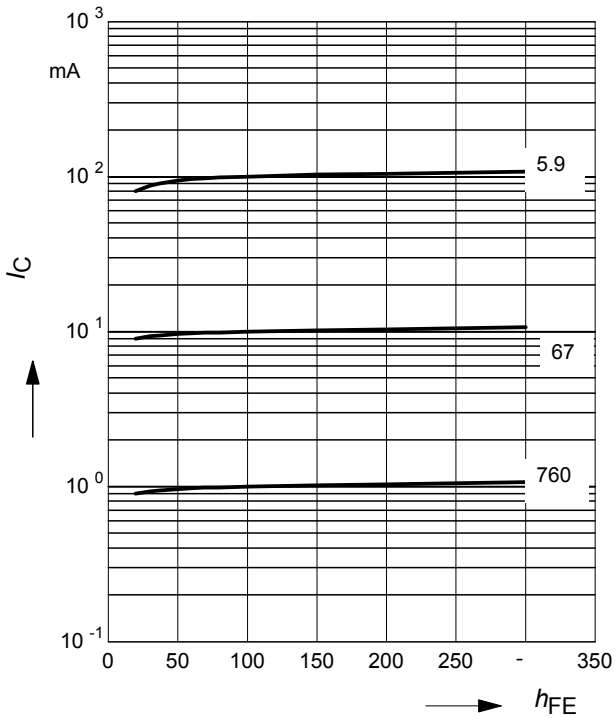
**Electrical Characteristics** at  $T_A=25^\circ\text{C}$ , unless otherwise specified

Parameter	Symbol	Values			Unit
		min.	typ.	max.	
<b>DC Characteristics</b>					
Additional current consumption $V_S = 3\text{ V}$	$I_0$	-	20	40	$\mu\text{A}$
Lowest stabilizing current $V_S = 3\text{ V}$	$I_{\text{min}}$	-	0.1	-	$\text{mA}$
<b>DC Characteristics with stabilized NPN-Transistors</b>					
Lowest sufficient battery voltage $I_B (\text{NPN}) < 0.5\text{mA}$	$V_{\text{Smin}}$	-	1.6	-	V
Voltage drop ( $V_S - V_{\text{CE}}$ ) $I_C = 25\text{ mA}$	$V_{\text{drop}}$	-	0.65	-	
Change of $I_C$ versus $h_{\text{FE}}$ $h_{\text{FE}} = 50$	$\Delta I_C / I_C$	-	0.08	-	$\Delta h_{\text{FE}} / h_{\text{FE}}$
Change of $I_C$ versus $V_S$ $V_S = 3\text{ V}$	$\Delta I_C / I_C$	-	0.15	-	$\Delta V_S / V_S$
Change of $I_C$ versus $T_A$	$\Delta I_C / I_C$	-	0.2	-	$\% / \text{K}$

**Collector current  $I_C = f(h_{FE})$**

$I_C$  and  $h_{FE}$  refer to stabilized NPN Transistor

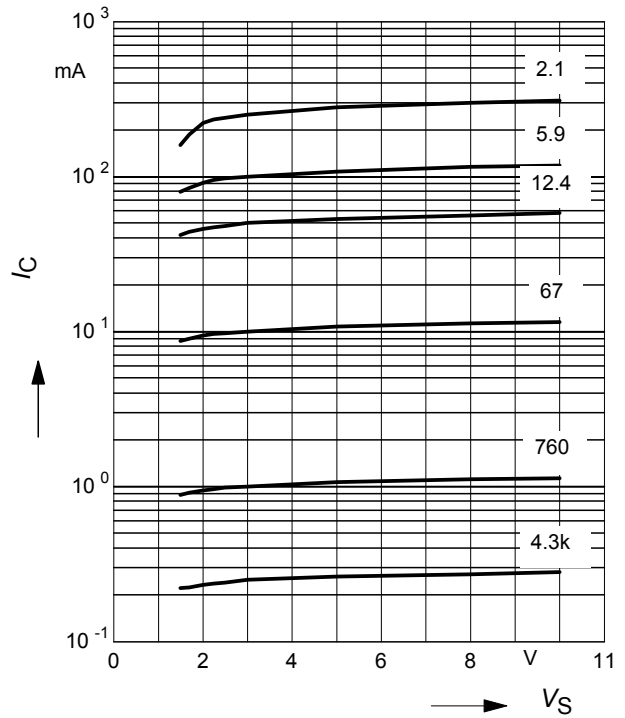
Parameter  $R_{ext.}$  ( $\Omega$ )



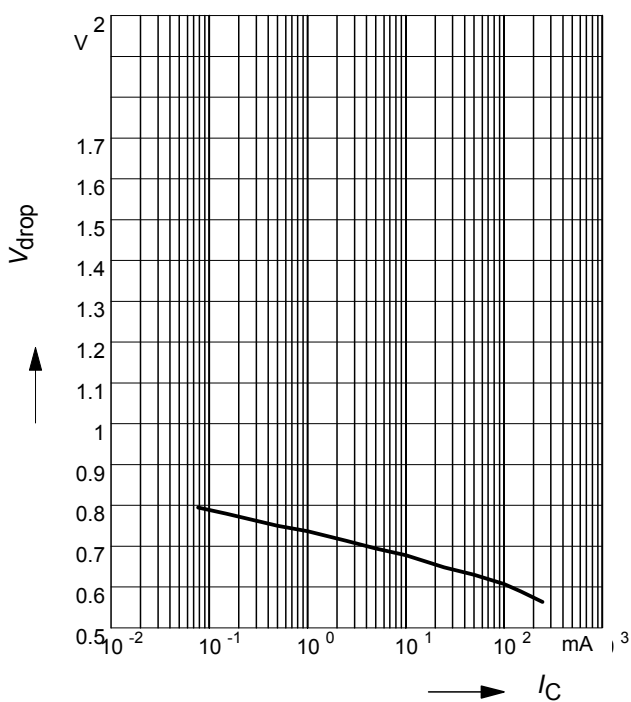
**Collector Current  $I_C = f(V_S)$**

of stabilized NPN Transistor

Parameter  $R_{ext.}$  ( $\Omega$ )

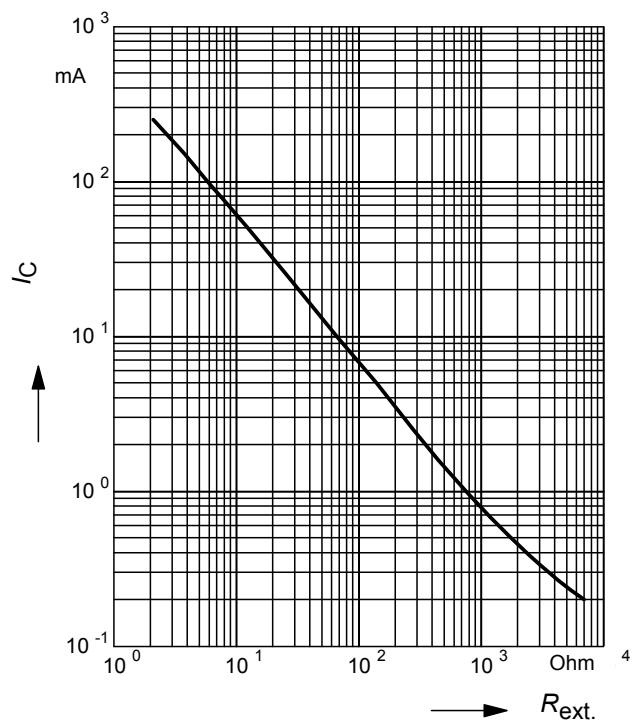


**Voltage drop  $V_{drop} = f(I_C)$**



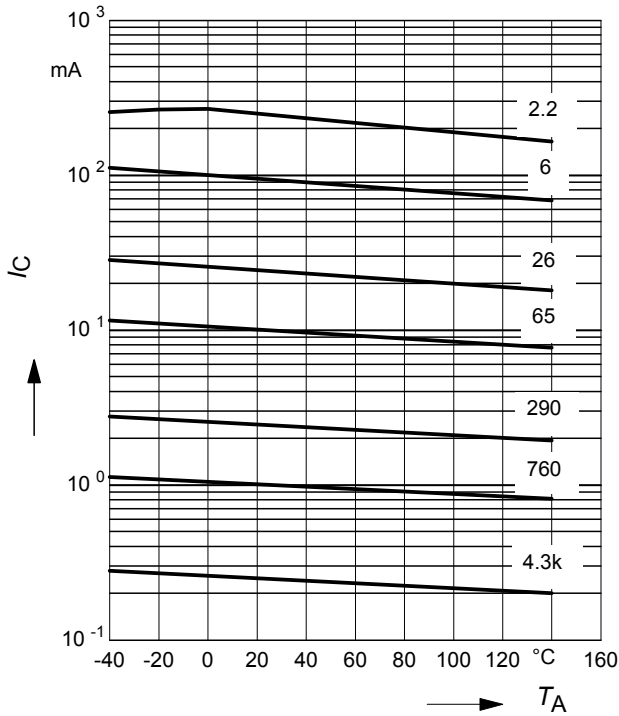
**Collector current  $I_C = f(R_{ext.})$**

of stabilized NPN Transistor

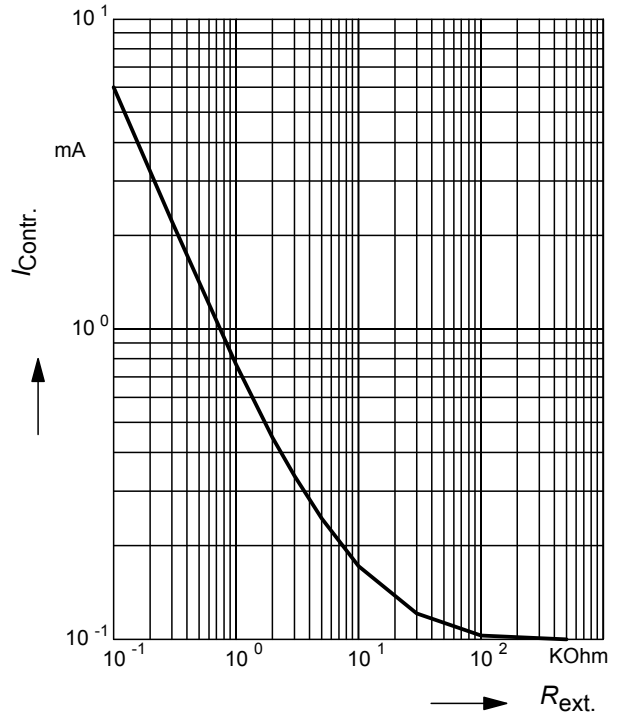


**Collector current  $T_A = f(I_C)$**   
of stabilized NPN Transistor

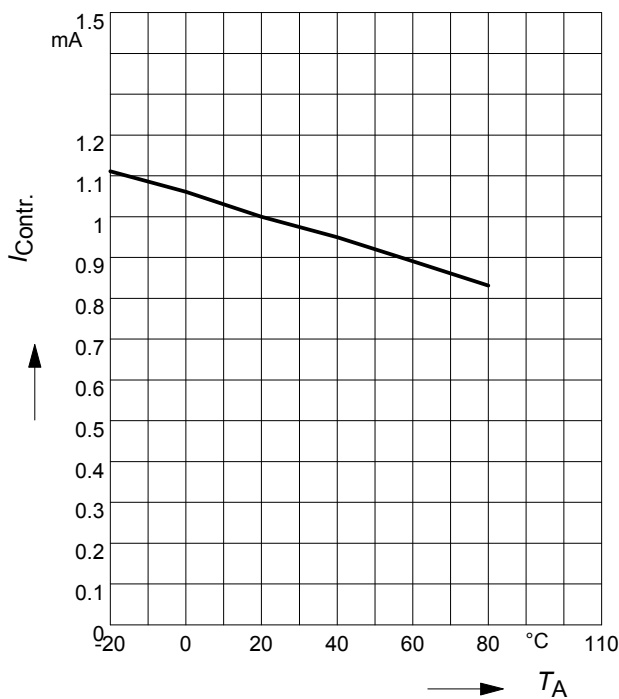
Parameter:  $R_{ext.} (\Omega)$



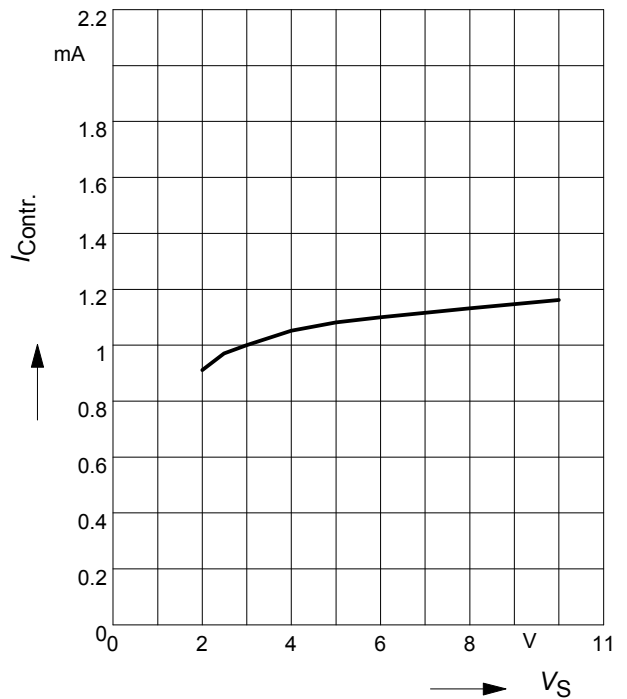
**Control current  $I = f(R_{ext.})$**   
in current source application



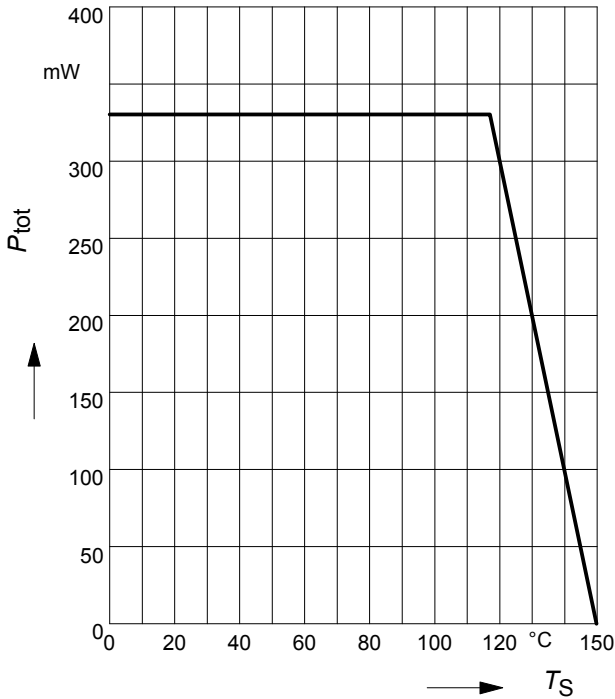
**Control current  $I = f(T_A)$**   
in current source application



**Control current  $I = f(V_S)$**   
in current source application

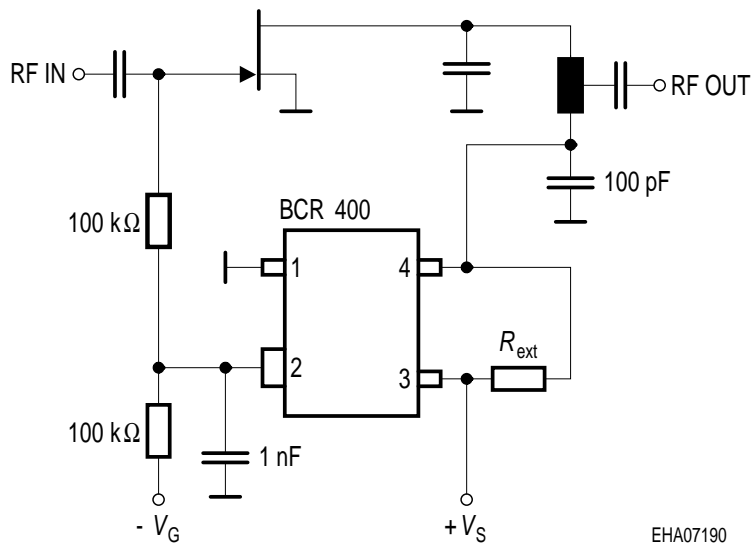


**Total power dissipation  $P_{tot} = f(T_S)$**



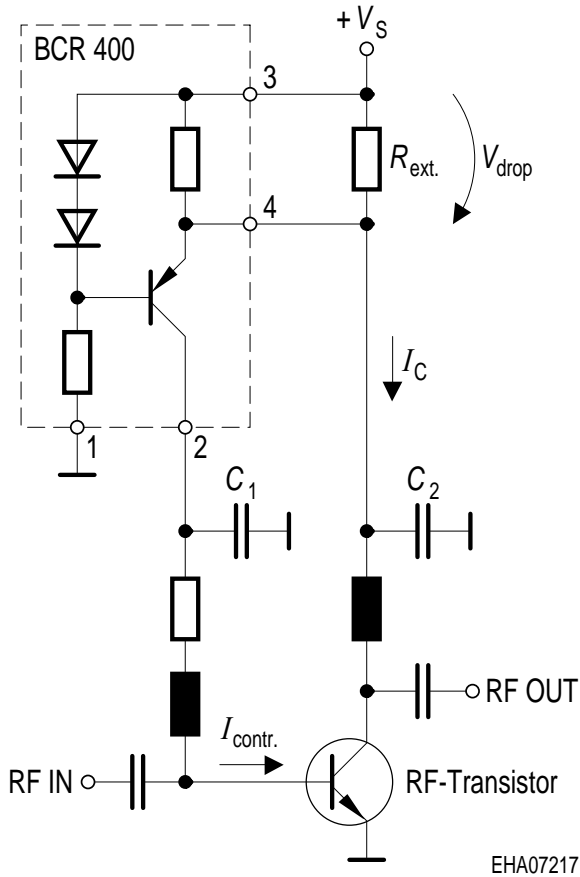
Note that up to  $T_S=115^{\circ}\text{C}$  it is not possible to exceed  $P_{tot}$  respecting the maximum ratings of  $V_S$  and  $I_{Contr}$ .  
The collector or drain current (respectively) of the stabilized RF transistor does not affect BCR 400 directly, as it provides just the base current.

**Typical application for GaAs FET with active bias controller**



EHA07190

RF transistor controlled by BCR400

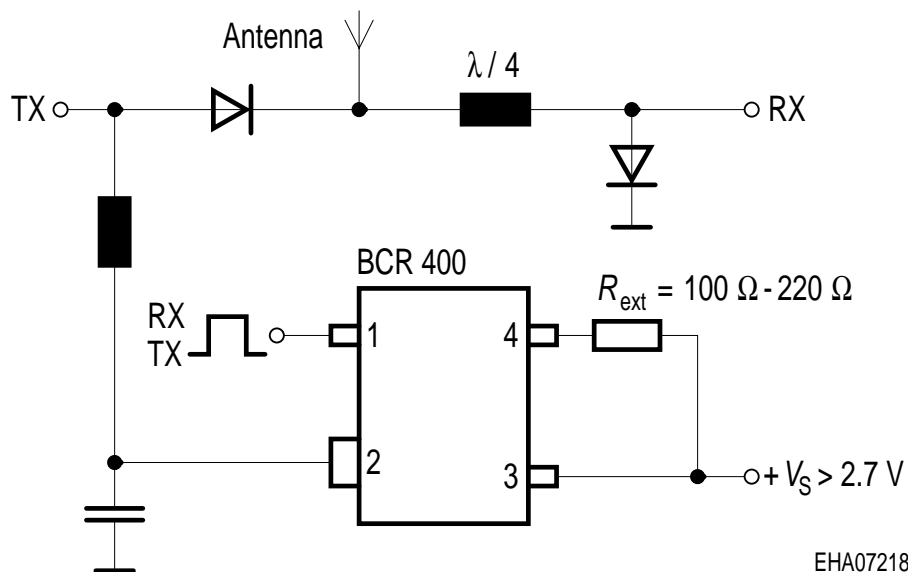


Be aware that BCR400 stabilized bias current of transistors in an active control loop

In order to avoid loop oscillation (hunting), time constants must be chosen adequately, i.e.  $C1 \geq 10 \times C2$

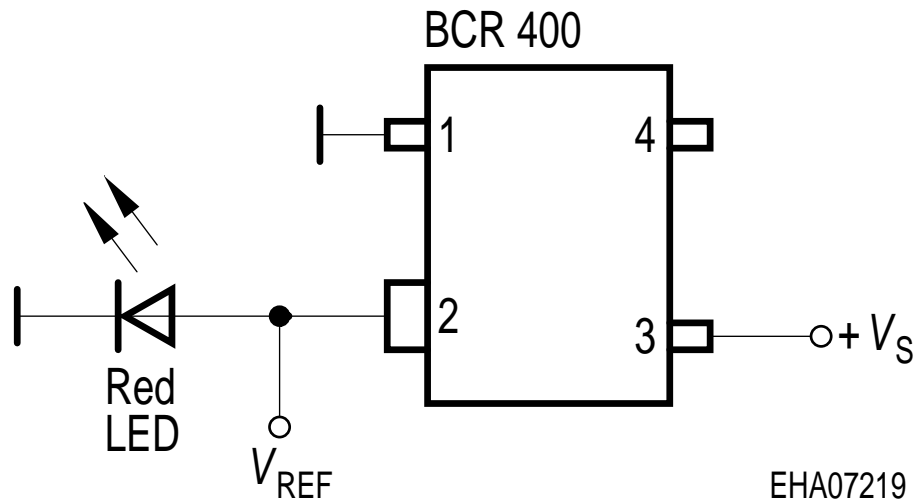
EHA07217

RX/TX antenna switch, compatible to control logic and working at wide battery voltage range

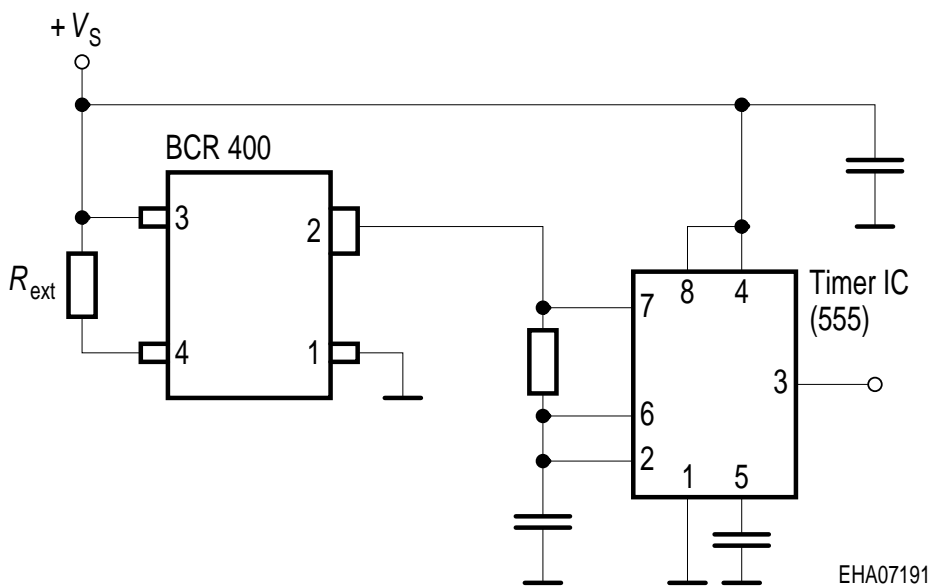


EHA07218

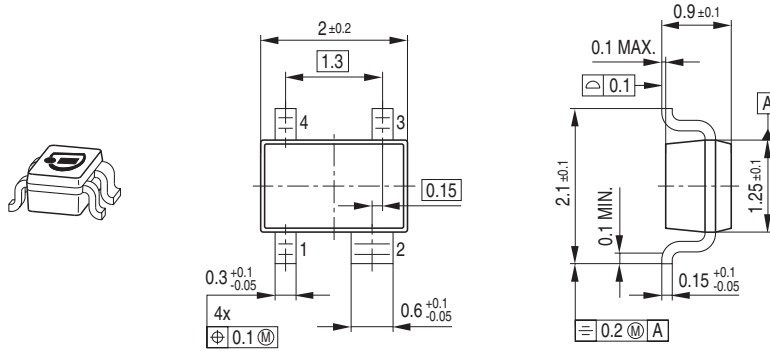
Low voltage reference



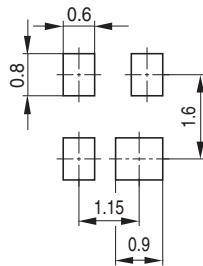
Precision timer with BCR400 providing constant charge current



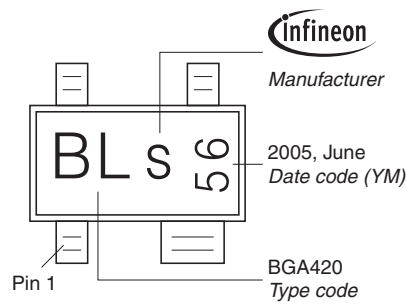
Package Outline



Foot Print

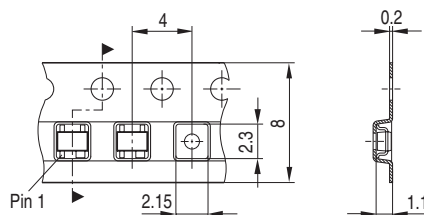


Marking Layout (Example)



Standard Packing

Reel  $\varnothing$ 180 mm = 3.000 Pieces/Reel  
 Reel  $\varnothing$ 330 mm = 10.000 Pieces/Reel





Published by  
Infineon Technologies AG  
81726 München, Germany  
© Infineon Technologies AG 2007.  
All Rights Reserved.

**Attention please!**

The information given in this data sheet shall in no event be regarded as a guarantee of conditions or characteristics ("Beschaffenheitsgarantie"). With respect to any examples or hints given herein, any typical values stated herein and/or any information regarding the application of the device, Infineon Technologies hereby disclaims any and all warranties and liabilities of any kind, including without limitation warranties of non-infringement of intellectual property rights of any third party.

**Information**

For further information on technology, delivery terms and conditions and prices please contact your nearest Infineon Technologies Office ([www.infineon.com](http://www.infineon.com)).

**Warnings**

Due to technical requirements components may contain dangerous substances. For information on the types in question please contact your nearest Infineon Technologies Office.

Infineon Technologies Components may only be used in life-support devices or systems with the express written approval of Infineon Technologies, if a failure of such components can reasonably be expected to cause the failure of that life-support device or system, or to affect the safety or effectiveness of that device or system.

Life support devices or systems are intended to be implanted in the human body, or to support and/or maintain and sustain and/or protect human life. If they fail, it is reasonable to assume that the health of the user or other persons may be endangered.