

# ACI-CC-50Pseries LED Driver – IP67 max50.4W

Operating Temperature : -10 ~ +50 [°C]  
 Dimension : 148 x 40 x 30 [mm]  
 LED Driver : Constant Current  
 Built-in : Active PCF  
 Approvals / Marks :

CE IP67



## Features:

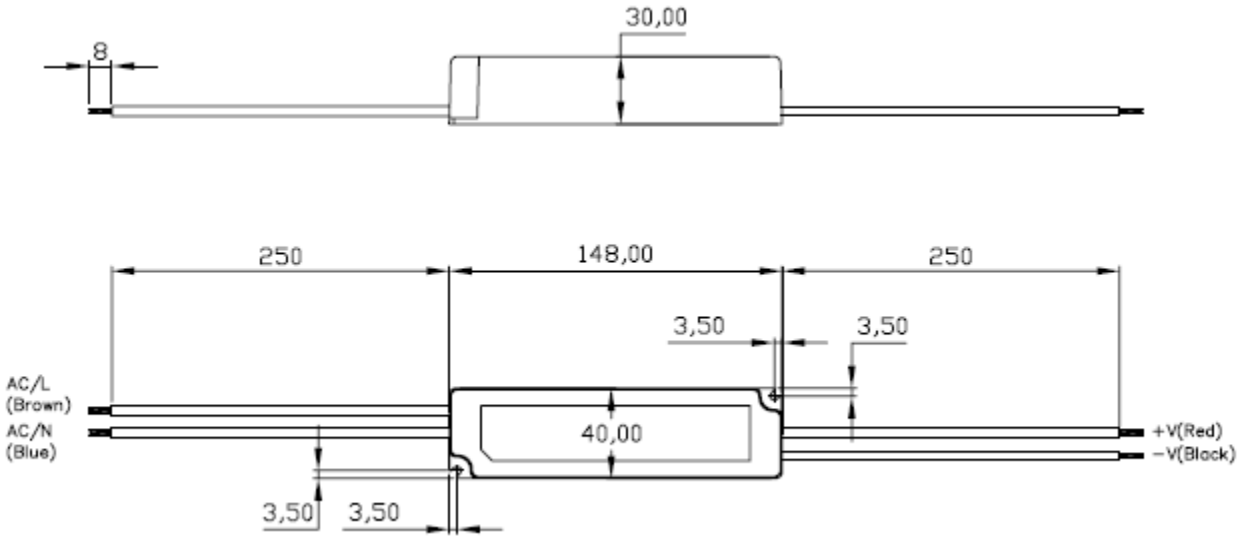
Built-in active PFC function  
 Constant current mode power supply - Suitable for LED lighting and moving sign applications  
 Universal AC input / Fully encapsulated with IP67 (for indoor and outdoor use)  
 Small and compact size | UL1310 Class II power unit, pass LPS  
 Protections: Short circuit & Over current / 100% full load burn-in test

## Specification:

		OUTPUT							
	Model	Current [mA]	Output Tol. [%]	Voltage [V]	Voltage Range [V]	Efficiency [%]	#LEDs [pcs]	Max. Power [W]	Ripple & Noise [V] p-p
	<b>ACL-CC-50-700P</b>	<b>700±3%</b>	<b>±5</b>	<b>72</b>	<b>36~72</b>	<b>85</b>	<b>11~18</b>	<b>50.4</b>	<b>5</b>
	<b>ACL-CC-50-1050P</b>	<b>1050±3%</b>	<b>±5</b>	<b>48</b>	<b>24~48</b>	<b>85</b>	<b>7~12</b>	<b>50.4</b>	<b>5</b>
<b>INPUT</b>	Voltage	(100 ~ 240)VAC							
	Frequency	(47 ~ 63)Hz							
	Current	1A/100VAC   0.5A/240VAC							
	Inrush Current max.	cold start 70A/230VAC							
	Leakage current	0.5mA/240VAC							
<b>PROTECTION</b>	Over current	Above 105% rated output power. Protection type: Hiccup mode, recovers automatically after fault condition is removed.							
	Over Voltage	-							
	Protection class	UL1310 Class 2 power unit							
	Over temperature	Tj 140°C typically (IC1) Detect on main control IC   Protection type: Hiccup mode, recovers automatically after temperature goes down.							
	No Load Operation	-							
<b>OTHERS</b>	Isolation Resistance	I/P-O/P:>100MΩ / 500VDC / 25 ~ 70% RH							
	Set up time	1500ms							
	Hold-up Time	50ms/230VAC							
	MTBF Qualification	30K hrs @ full load 25 °C; ambient temperature and 20k hrs @ full load 50 °C							
	AC cable / DC cable	-							
	Rise time	250ms							
	Line regulation	±1.0%							
	Burn in	100% full load burn-in test							
	PF	>0.9/230VAC							
	Load regulation	±2.0%							
<b>ENVIRONMENT</b>	Temperature	Operating: (-10 ~ +50)°C / Storage: (-40 ~ 80)°C							
	Humidity	Operating: (20 ~ +90)%RH / Storage: (10 ~ 95)%RH Non-condensing							
	Vibration	10 ~ 500Hz, 2G 10min./1cycle, period for 60min. each along X,Y, Z axes							
	Temp. Coefficient	±0.03%/°C (0~50)[°C]							
<b>CERTIFICATION &amp; SAFETY</b>		Safety EN61347-1, EN61347-2-13   Immunity EN61547   Harmonic EN61000-3-2   Magnetic Emission EN55015   RoHS compliant   CE mark / compliant   UL standard design   Pass LPS   UL 1310 Class II power unit							
<b>SAFETY &amp; EMC</b>	Withstand voltage	I/P-O/P:3KVAC							
	Safety standards	Design refer to UL1310 Class 2, TUV EN60950-1, EN61347-2-13, CAN/CSA C22.2 No. 223-M91, meet IP67							
	EMS Immunity	Compliance to EN61000-4-2,3,4,5,6,8,11; ENV50204, EN55024, light industry level, criteria A							
	EMI conduction & radiation	Compliance to EN55022 (CISPR22) Class B							
	Harmonic current	EN61000-3-2,-3							
<b>WEIGHT</b>	1pc	N.W.: 300g   G.W.: 315g							
<b>PACKING</b>	Box	0.26 x 0.20 x 0.35 [m]							
		50pcs / 1box							
		G.W.: -16kg / box							

# ACI-CC-50Pseries LED Driver – IP67 max50.4W

## Mechanical case specification:



## Block diagram:

