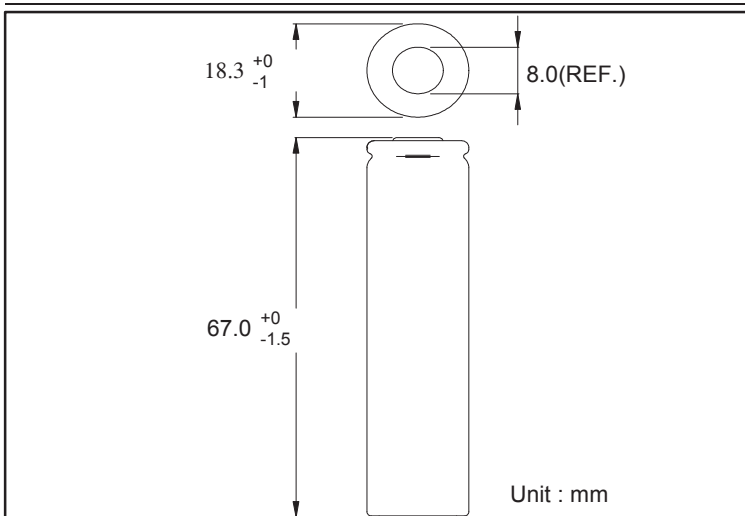


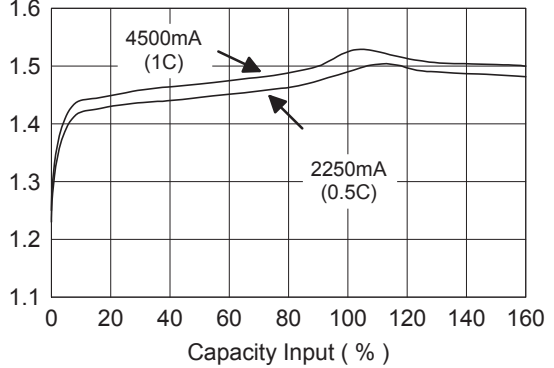
GP Batteries Model No.: GP450LAH

Data Sheet

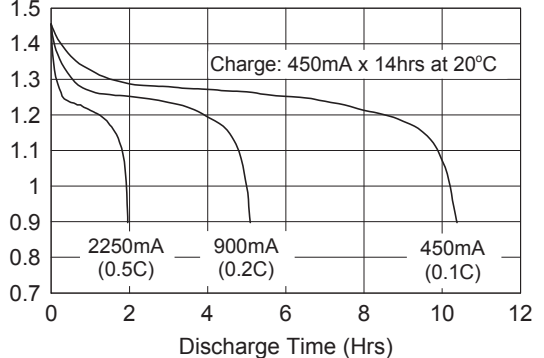
| | | |
|---------------------------------|---|---------------|
| Type | : Rechargeable Nickel Metal Hydride Cylindrical Cell | |
| Nominal Dimension (with Sleeve) | : $\Phi = 18.3\text{mm}$ H = 67.0mm | |
| Applications | : Recommended discharge current 450 to 13500mA | |
| Nominal Voltage | : 1.2V | |
| Nominal Capacity | : Minimum: 4300mAh Typical: 4500mAh when discharge at 900mA to 1.0V at 20°C | |
| Charging Condition | : 450mA for 14 hrs at 20°C | |
| Fast Charge | : 2250mA to 4500mA (0.5 to 1C) charge termination control recommended control parameters: - ΔV : 0 - 5mV DT/dt : 0.8°C/min (0.5 to 0.9C) : 0.8 - 1°C/min (1C) TCO : 45 - 50°C Timer : 105% nominal input | |
| Service Life | : >500 cycles (IEC standard) | |
| Continuous Overcharge | : 450mA maximum current for 1 year No conspicuous deformation and/or leakage | |
| Weight | : 60.0g | |
| Internal Resistance | : Average 15m Ω upon fully charged (Range 10-25m Ω) at 1000Hz | |
| Max. Charging Voltage | : 1.5V at 450mA charging | |
| Ambient Temperature Range | Standard Charging | : 0 to 45°C |
| | Fast Charging | : 10 to 45°C |
| | Discharging | : -20 to 50°C |
| | Storage | : -20 to 35°C |



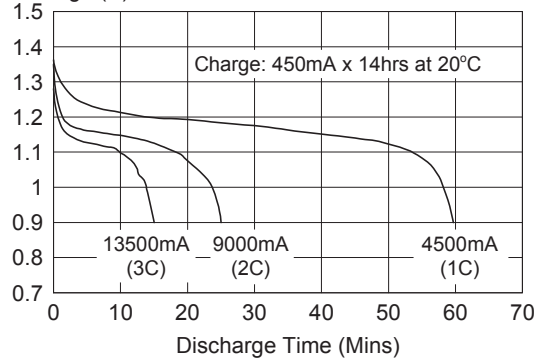
Fast Charge (Charge control required)
Voltage (V)



Low Rate Discharge
Voltage (V)



High Rate Discharge
Voltage (V)



* The information (subject to change without prior notice) contained in this document is for reference only and should not be used as a basis for product guarantee or warranty. For applications other than those described here, please consult your nearest GP Sales and Marketing Office or Distributors.