

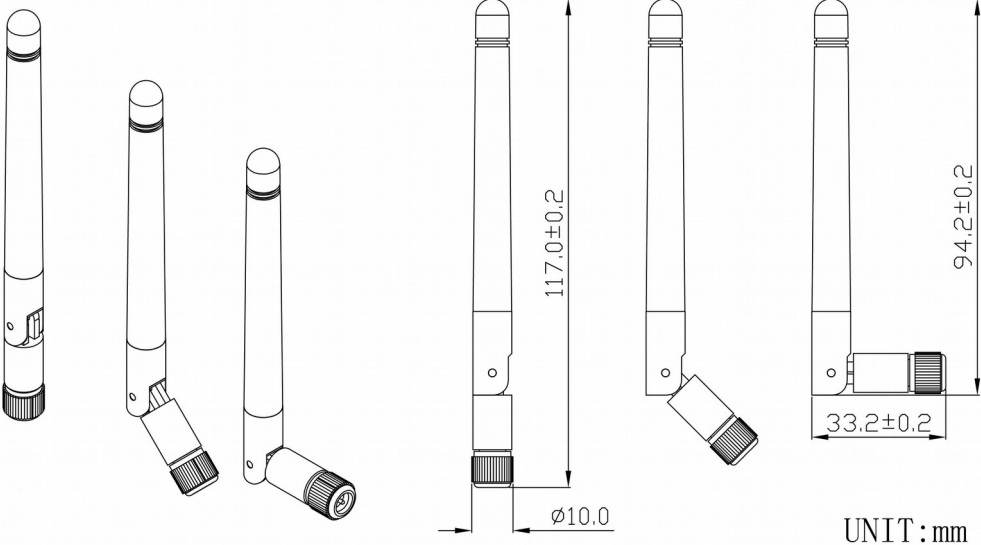
433M-ANT402

433MHz Antenna

SRPASSIVES



DIMENSIONS



SPECIFICATIONS

Item	Specifications	
Antenna	Frequency Range	433MHz
	Band Width	CF±5MHz
	Polarization	Linear
	Gain	2dBi (Zenith)
	V.S.W.R (min)	<2.5
	Impedance	50Ω
	Connector	SMA Male
Environmental	Operating Temperature	-40°C~+85°C
	Vibration	10 to 55Hz with 1.5mm amplitude 2hours
	Environmentally Friendly	ROHS Compliant

Radiation Pattern

