

Coin-Cell Battery Holders

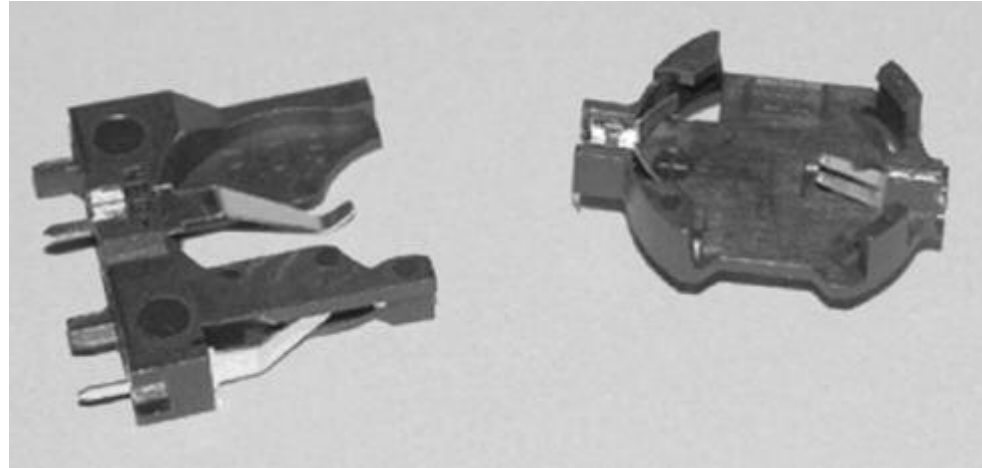
Product Facts

- Accepts BR2032 and CR2032 Lithium Ion Battery Cells
 - Vertical orientation available with solder tails
 - Low profile horizontal orientation with solder tail or SMT terminations
- Designed for reliable (twin-beam) connection for the back-up battery on motherboards for desktop and notebook PC's.
- Designed for plated through hole (PTH) soldering and surface mount soldering
- Self-ejecting design allows battery to be removed without tools
- Accepts ML 616 and ML 614 batteries

Typical Application

- Internet routers
- Handhelds
- Vending machines

Technical Document
Product Specification
 108-1691



Tyco Electronics Top Load Battery is a high reliable receptacle for coin-cell (BR 2032 and CR2032) batteries. These batteries are used as battery back-ups in computers to store the RTC (real time clock) and other CMOS RAM data when the computer is not turned on. It can also be used in a variety of other electronic equipment needing a compact low wattage (typically less than 2Watts) battery source.

The polarized pcb layout and tin plated twin-beam contact design of the horizontal battery holders ensure easy printed circuit board (pcb) assembly and long term connection reliability, along with easy battery removal. The vertical mount battery holders reduce both the required pcb space and the overall height required for an optimum high-density pcb design.

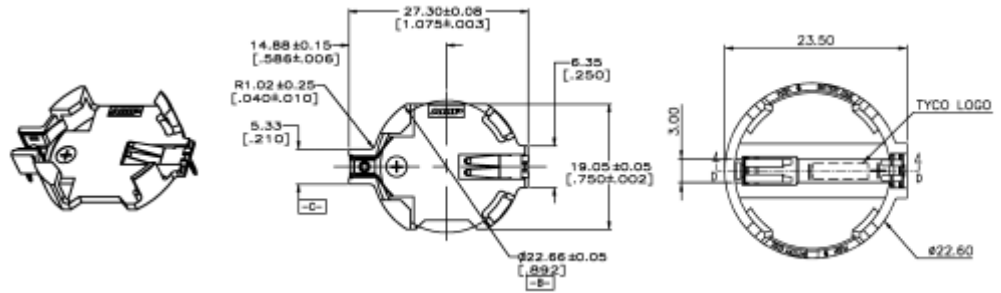
Surface Mount and re-flow compatible options are also ready to meet the newer pcb assembly requirements. Top Load battery connectors can be supplied in tube, tray or reel packaging methods or tray.

Coin-Cell Battery Holders (Continued)

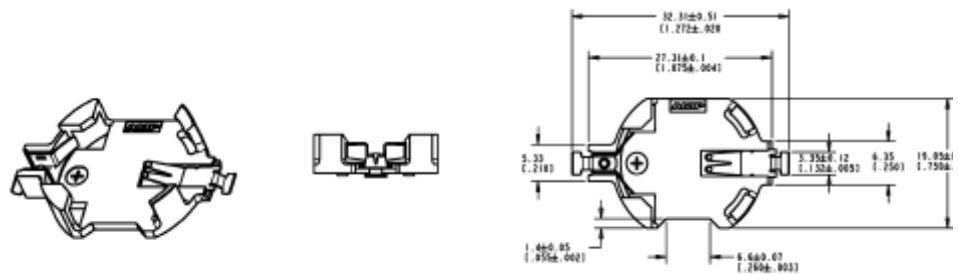
Horizontal Mount Through-Hole Solder Tails

- Part Number 120591-1**
Tray Packaging (shown)
- Part Number 120591-2**
Tube Packaging
- Part Number 1734178-1**
Tray Packaging (shown)

Housing flexes for easy removal.

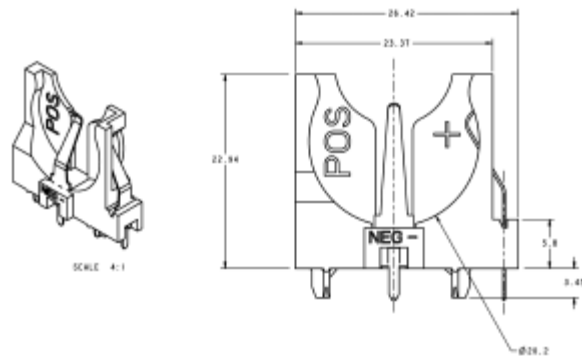


Surface Mountable
Part Number 796136-1



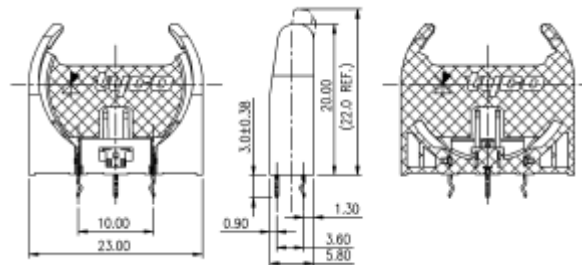
Vertical Mount
Standard Product
Part Number 1339488-1

Color — black



Low Profile
Part Number 1775118-2

Color — Blue



Note: All part numbers are RoHS compliant.