

Ninigi

D A T A S H E E T

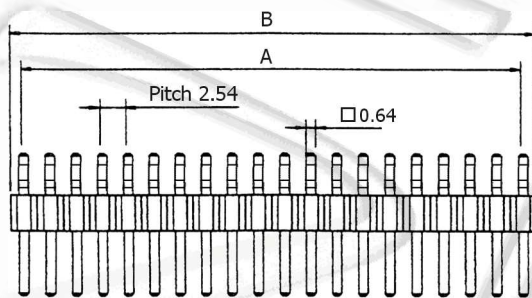
ZL212 SERIES 2.54 MM (0.100") RIGHT ANGLE PIN HEADER DUAL ROW



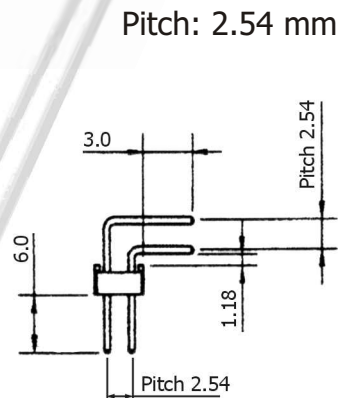
Specification:

- 1) To +105° Current Rate: 3 A
- 2) Dielectric Withstanding Voltage: 500 VAC
- 3) Insulation Resistance: 5000 MW
- 4) Temperature: -55°C ~ 105°C
- 5) Insulator: Thermoplastic (UL94V-0)
- 6) Contact: Copper Alloy
- 7) Contact Plated: Gold Flash

Series No.	No. of Contact (N)
ZL212-20KG	2 x 10
ZL212-40KG	2 x 20
ZL212-80KG	2 x 40
ZL212-100KG	2 x 50



$$A = 2.54 * (N-1)$$
$$B = 2.54 * N$$



All dimensions in mm.