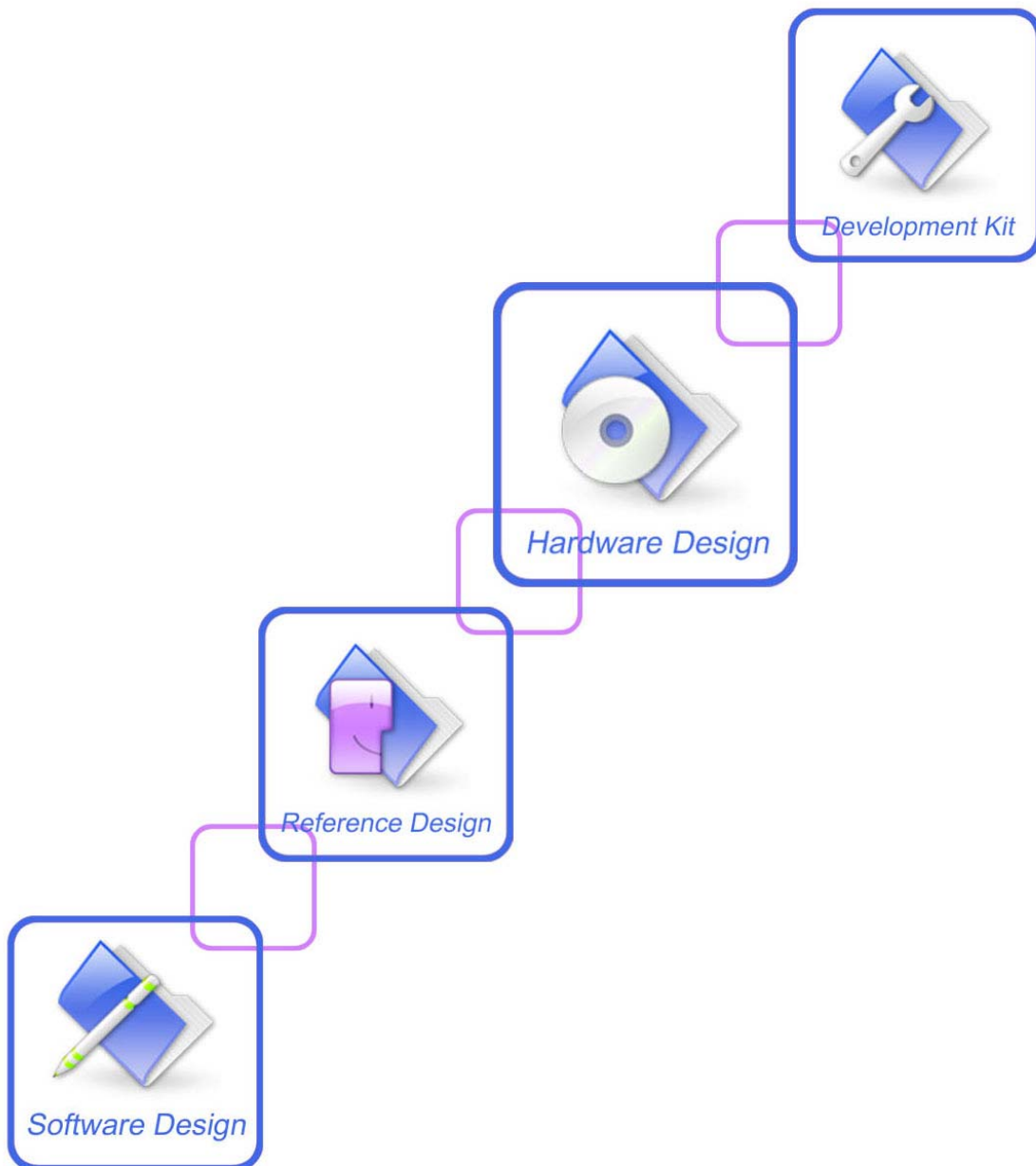




# Hardware Design

SIM5218E\_HD\_V1.03



<b>Document Title:</b>	SIM5218E Hardware Design
<b>Version:</b>	1.03
<b>Date:</b>	2009-06-11
<b>Status:</b>	Release
<b>Document Control ID:</b>	SIM5218E_HD_V1.03

### **General Notes**

SIMCom offers this information as a service to its customers, to support application and engineering efforts that use the products designed by SIMCom. The information provided is based upon requirements specifically provided to SIMCom by the customers. SIMCom has not undertaken any independent search for additional relevant information, including any information that may be in the customer's possession. Furthermore, system validation of this product designed by SIMCom within a larger electronic system remains the responsibility of the customer or the customer's system integrator. All specifications supplied herein are subject to change.

### **Copyright**

This document contains proprietary technical information which is the property of SIMCom Limited., copying of this document and giving it to others and the using or communication of the contents thereof, are forbidden without express authority. Offenders are liable to the payment of damages. All rights reserved in the event of grant of a patent or the registration of a utility model or design. All specification supplied herein are subject to change without notice at any time.

*Copyright © Shanghai SIMCom Wireless Solutions Ltd. 2009*

## Version history

<b>Data</b>	<b>Version</b>	<b>Description of change</b>	<b>Author</b>
2009-02-13	01.00	Origin	
2009-03-24	01.01	Add depiction of analog sensor support in camera interface chapter	aaron
2009-05-31	01.02	Add depiction of DCD and DTR function in serial interface chapter	aaron
2009-6-5		Update the top and bottom pictures Update the temperature Spec	Chen
2009-6-11		Update the description of Band VIII	

## Contents

Version history .....	2
1 Introduction.....	5
1.1 Related documents .....	5
1.2 Terms and abbreviations.....	6
2 Product concept.....	9
3 Application interface.....	13
3.1 SIM5218E pin description .....	15
3.2 Operating modes .....	18
3.3 Power supply.....	19
3.3.1 Power supply pins on the board-to-board connector .....	20
3.3.2 Minimizing power losses .....	20
3.3.3 Monitoring power supply.....	21
3.4 Power up and power down scenarios .....	21
3.4.1 Turn on SIM5218E.....	21
3.4.2 Turn off SIM5218E.....	22
3.5 Power saving.....	23
3.5.1 Minimum functionality mode.....	23
3.5.2 Flight mode .....	23
3.5.3 Sleep Mode .....	24
3.5.4 Wake up SIM5218E from Sleep Mode.....	24
3.6 RTC backup.....	25
3.7 Serial interface .....	26
3.8 Audio interfaces .....	29
3.8.1 Speaker interface configuration.....	30
3.8.2 Microphone interfaces configuration .....	31
3.8.3 Earphone interface configuration .....	32
3.8.4 Referenced electronic characteristic.....	32
3.8.5 Programming characteristic.....	33
3.9 USIM card interface.....	38
3.9.1 USIM card application .....	38
3.9.2 Design considerations for USIM card holder .....	39
3.9.3 Embedded SIM card IC.....	40
3.10 I2C interface.....	40
3.11 High speed USB interface .....	40
3.12 Module Reset .....	41
3.13 General purpose input & output (GPIO).....	41
3.14 ADC interface .....	43

3.15 LDO power output .....	44
3.16 Camera module interface .....	44
3.17 MMC/SD card interface.....	46
3.18 Global Positioning System (GPS).....	48
3.18.1 GPS modes.....	48
3.18.2 Using GPS by NMEA port.....	49
3.19 PCM Interface .....	49
3.19.1 Auxiliary PCM.....	50
3.19.2 Primary PCM.....	52
4 Antenna interface.....	53
4.1 Antenna installation.....	53
4.1.1 Antenna connector.....	53
4.1.2 Antenna pad.....	54
4.2 Module RF output power .....	55
4.3 Module RF receive sensitivity .....	55
4.4 Module operating frequencies.....	55
5 Electrical, reliability and radio characteristics .....	56
5.1 Absolute maximum ratings .....	56
5.2 Operating temperatures .....	56
5.3 Power supply ratings.....	57
5.4 Current consumption.....	57
5.5 Electro-Static discharge.....	59
6 Mechanics.....	61
6.1 Mechanical dimensions of SIM5218E.....	61
6.2 Mounting SIM5218E onto the application platform.....	61
6.3 Board-to-board connector .....	62
6.4 RF connector and adapter cable .....	63
6.5 View of the SIM5218E.....	64
6.6 PIN assignment of board-to-board connector of SIM5218E.....	64

## 1 Introduction

This document describes the hardware interface of the SIMCom SIM5218E module that connects to the specific application and the air interface. As SIM5218E can be integrated with a wide range of applications, all functional components of SIM5218E are described in great detail.

This document can help you quickly understand SIM5218E interface specifications, electrical and mechanical details. With the help of this document and other SIM5218E application notes, user guide, you can use SIM5218E module to design and set-up mobile applications quickly.

### 1.1 Related documents

**Table 1: Related documents**

SN	Document name	Remark
[1]	SIM5218_ATC_V1.00	SIM5218_ATC_V1.00
[2]	ITU-T Draft new recommendation V.25ter :	Serial asynchronous automatic dialing and control
[3]	GSM 07.07:	Digital cellular telecommunications (Phase 2+); AT command set for GSM Mobile Equipment (ME)
[4]	GSM 07.10:	Support GSM 07.10 multiplexing protocol
[5]	GSM 07.05:	Digital cellular telecommunications (Phase 2+); Use of Data Terminal Equipment – Data Circuit terminating Equipment (DTE – DCE) interface for Short Message Service (SMS) and Cell Broadcast Service (CBS)
[6]	GSM 11.14:	Digital cellular telecommunications system (Phase 2+); Specification of the SIM Application Toolkit for the Subscriber Identity Module – Mobile Equipment (SIM – ME) interface
[7]	GSM 11.11:	Digital cellular telecommunications system (Phase 2+); Specification of the Subscriber Identity Module – Mobile Equipment (SIM – ME) interface
[8]	GSM 03.38:	Digital cellular telecommunications system (Phase 2+); Alphabets and language-specific information
[9]	GSM 11.10	Digital cellular telecommunications system (Phase 2); Mobile Station (MS) conformance specification; Part 1: Conformance specification
[10]	3GPP TS 51.010-1	Digital cellular telecommunications system (Release 5); Mobile Station (MS) conformance specification
[11]	3GPP TS 34.124	Electromagnetic Compatibility (EMC) for mobile terminals and ancillary equipment.
[12]	3GPP TS 34.121	Electromagnetic Compatibility (EMC) for mobile terminals and ancillary equipment.
[13]	3GPP TS 34.123-1	Technical Specification Group Radio Access Network; Terminal conformance specification; Radio transmission and reception (FDD)

## SIM5218E Hardware Design

[14]	3GPP TS 34.123-3	User Equipment (UE) conformance specification; Part 3: Abstract Test Suites.
[15]	EN 301 908-02 V2.2.1	Electromagnetic compatibility and Radio spectrum Matters (ERM) Stations (BS) and User Equipment (UE) for IMT-2000 Third Generation cellular networks; Part 2: Harmonized EN for IMT-2000, CDMA Direct Spread (UTRA FDD) (UE) covering essential requirements of article 3.2 of the R&TTE Directive
[16]	EN 301 489-24 V1.2.1	Electromagnetic compatibility and Radio Spectrum Matters (ERM); Electromagnetic Compatibility (EMC) standard for radio equipment and services; Part 24: Specific conditions for IMT-2000 CDMA Direct Spread (UTRA) for Mobile and portable (UE) radio and ancillary equipment
[17]	IEC/EN60950-1(2001)	Safety of information technology equipment (2000)
[18]	3GPP TS 51.010-1	Digital cellular telecommunications system (Release 5); Mobile Station (MS) conformance specification
[19]	GCF-CC V3.23.1	Global Certification Forum - Certification Criteria
[20]	2002/95/EC	Directive of the European Parliament and of the Council of 27 January 2003 on the restriction of the use of certain hazardous substances in electrical and electronic equipment(RoHS)

## 1.2 Terms and abbreviations

**Table 2: Terms and abbreviations**

Abbreviation	Description
ADC	Analog-to-Digital Converter
ARP	Antenna Reference Point
BER	Bit Error Rate
BTS	Base Transceiver Station
CS	Coding Scheme
CSD	Circuit Switched Data
CTS	Clear to Send
DAC	Digital-to-Analog Converter
DRX	Discontinuous Reception
DSP	Digital Signal Processor
DTE	Data Terminal Equipment (typically computer, terminal, printer)
DTR	Data Terminal Ready
DTX	Discontinuous Transmission
EFR	Enhanced Full Rate
EGSM	Enhanced GSM
EMC	Electromagnetic Compatibility
ESD	Electrostatic Discharge
ETS	European Telecommunication Standard
FCC	Federal Communications Commission (U.S.)
FDMA	Frequency Division Multiple Access
FR	Full Rate

## SIM5218E Hardware Design

GMSK	Gaussian Minimum Shift Keying
GPRS	General Packet Radio Service
GSM	Global Standard for Mobile Communications
HR	Half Rate
IMEI	International Mobile Equipment Identity
Inorm	Normal Current
Imax	Maximum Load Current
kbps	Kilo bits per second
Li-Ion	Lithium-Ion
MO	Mobile Originated
MS	Mobile Station (GSM engine), also referred to as TE
MT	Mobile Terminated
PAP	Password Authentication Protocol
PBCCH	Packet Switched Broadcast Control Channel
PCB	Printed Circuit Board
PCS	Personal Communication System, also referred to as GSM 1900
RF	Radio Frequency
RMS	Root Mean Square (value)
RTC	Real Time Clock
Rx	Receive Direction
SIM	Subscriber Identification Module
SMS	Short Message Service
TDMA	Time Division Multiple Access
TE	Terminal Equipment, also referred to as DTE
TX	Transmit Direction
UART	Universal Asynchronous Receiver & Transmitter
VSWR	Voltage Standing Wave Ratio
Vmax	Maximum Voltage Value
Vnorm	Normal Voltage Value
Vmin	Minimum Voltage Value
VIHmax	Maximum Input High Level Voltage Value
VIHmin	Minimum Input High Level Voltage Value
VILmax	Maximum Input Low Level Voltage Value
VILmin	Minimum Input Low Level Voltage Value
VImax	Absolute Maximum Input Voltage Value
VImin	Absolute Minimum Input Voltage Value
VOHmax	Maximum Output High Level Voltage Value
VOHmin	Minimum Output High Level Voltage Value
VOLmax	Maximum Output Low Level Voltage Value
VOLmin	Minimum Output Low Level Voltage Value
FD	SIM fix dialing phonebook



**SIM5218E Hardware Design**

SM	SIM phonebook
NC	Not connect
EDGE	Enhanced data rates for GSM evolution
HSDPA	High Speed Downlink Packet Access
HSUPA	High Speed Uplink Packet Access
ZIF	Zero intermediate frequency
WCDMA	Wideband Code Division Multiple Access
VCTCXO	Voltage control temperature-compensated crystal oscillator
USIM	Universal subscriber identity module
UMTS	Universal mobile telecommunications system
UART	Universal asynchronous receiver transmitter
A-GPS	Assisted Global positioning system
GPS	Global positioning system
S-GPS	Simultaneous Global positioning system

## 2 Product concept

Designed for global market, SIM5218E is a quad-band GSM/GPRS/EDGE and UMTS engine that works on frequencies of GSM 850MHz, EGSM 900 MHz, DCS 1800 MHz, PCS1900 MHz, and WCDMA 2100M/1900M/900M. SIM5218E provides GPRS multi-slot class 12/class10/class 8 (optional) capability and EDGE, supports the GPRS coding schemes CS-1, CS-2, CS-3 and CS-4. EDGE: 8 PSK, DTM (class A) multi-slot class 12, DL coding schemes: MCS1-9, UL coding schemes: MCS1-9. SIM5218E also supports WCDMA HSDPA up to 7.2Mbps(Category 8) and HSUPA up to 5.76Mbps(Category 6) respectively. SIM5218E supports antenna diversity at WCDMA 2100M/1900M/900M. For further, SIM5218E is also integrated GPS.

***\*Note: SIM5218E only supports HSDPA, Category 6 (3.6Mbps) and HSUPA (2Mbps) when HSDPA and HSUPA are used at the same time.***

With a tiny configuration of 58.7mm × 28.77mm × 4.3 mm, SIM5218E can fit almost all the space requirements in your applications, such as Smart phone, PDA phone and other mobile devices.

The physical interface to the mobile application is made through a 70 pins board-to-board connector, which provides all hardware interfaces between the module and customers' boards except the RF antenna interface.

- Serial port and USB 2.0(high speed) port can be alternatively used as data port.
- USIM interface: support SIM cards: 3V & 1.8V
- Power on/ff and reset signal
- Backup RTC interface.
- Six GPIOs: 1 for interrupt, 1 for flight mode, 1 for status LED, 2 for output control, 1 for input, also can be multiplex as a PCM interface.
- Three audio channels include two microphones inputs and three audio outputs. This can be easily configured by AT command.
- A camera interface is provided.\*
- An I2C interface is provided.
- An ADC interface
- A LDO power output
- A 4 bit SD card interface
- A PCM interface

The SIM5218E provides RF antenna interface with two alternatives: antenna connector and antenna pad. The antenna connector is MURATA MM9329-2700. And customer's antenna can be soldered to the antenna pad.

The SIM5218E is integrated with the TCP/IP protocol, Extended TCP/IP AT commands are developed for customers to use the TCP/IP protocol easily, which is very useful for those data

transfer applications.

**Note:** *The SIM5218E has two kinds of interface (UART and USB) to connect to host CPU. USB interface is mapped to five virtual ports: “SIMTECH USB Modem”, “SIMTECH NMEA Device”, “SIMTECH ATCOM Device”, “SIMTECH Diagnostics interface” and “SIMTECH Wireless Ethernet Adapter”. UART, “SIMTECH USB Modem” and “SIMTECH ATCOM Device” could response AT command, and URC report to these three ports at the same time, but user could set dedicated port to receive URC(Unsolicited Result Code ).*

The SIM5218E is also integrated GPS. A GPS receiver with high performance has been integrated to offer GPS full functions; it continuously tracks all satellites in view and provides accurate satellite position data. This solution performs well, even in very challenging environmental conditions where conventional GPS receivers fail, and provides a platform to enable wireless operators to address both location-based services and emergency mandates. SIM5218E both supports A-GPS and S-GPS.

**Note:** *The SIM5218J has internal bias voltage, so it support external active-antenna; however the active antenna's Vcc must be 2.5V~2.7V.*

The SIM5218E also provides a PCM interface. The PCM interface is a 4 pin, digital interface that enables PCM communication between the Module and an external codec. PCM interface pins are multiplex on GPIOs. Use AT+CPCM command to enable PCM function and configure the mode that you want. Please refer to section 3.19 and 3.8.5.5.

### SIM5218E key features at a glance:

**Table 3: SIM5218E key features**

Feature	Implementation
Power supply	Single supply voltage 3.4V – 4.2V
Power saving	Typical power consumption in SLEEP mode to 4.0mA ( DRX=2 )
Frequency bands	<ul style="list-style-type: none"> <li>● GSM: 850M/ 900M/ DCS 1800M/ PCS 1900M.</li> <li>● WCDMA: 2100M/1900M/900M</li> <li>● The SIM5218E can worked in GSM and WCDMA mode</li> <li>● The frequency bands also can be set by AT COMMAND.</li> </ul>
Transmit power	<ul style="list-style-type: none"> <li>● Class 4 (+33dBm ±2dB) for GSM850</li> <li>● Class 4 (+33dBm ±2dB) for EGSM900</li> <li>● Class 1 (+30dBm ±2dB) for GSM1800</li> <li>● Class 1 (+30dBm ±2dB) for GSM1900</li> <li>● Class E2 (+27dBm ± 3dB) for GSM 850 8-PSK</li> <li>● Class E2 (+27dBm ± 3dB) for GSM 900 8-PSK</li> <li>● Class E2 (+26dBm +3 /-4dB) for GSM 1800 8-PSK</li> <li>● Class E2 (+26dBm +3 /-4dB) for GSM 1900 8-PSK</li> <li>● Class 3 (+24dBm +1.7/-3.7dB) for WCDMA 2100, WCDMA FDD BDI</li> </ul>

## SIM5218E Hardware Design

	<ul style="list-style-type: none"> <li>● Class 3 (+24dBm +1.7/-3.7dB) for WCDMA 1900, WCDMA FDD BDII</li> <li>● Class 3 (+24dBm +1.7/-3.7dB) for WCDMA 900, WCDMA FDD BDVIII</li> </ul>
GPRS/EDGE connectivity	<ul style="list-style-type: none"> <li>● GPRS/EDGE multi-slot is up to class 12</li> <li>● GPRS mobile station class B</li> </ul>
Temperature range	<ul style="list-style-type: none"> <li>● Operating Temperature: -30°C to +80°C</li> <li>● Storage temperature -40°C to +85°C</li> </ul>
DATA GPRS:	<ul style="list-style-type: none"> <li>● GPRS data downlink transfer: max. 85.6 kbps</li> <li>● GPRS data uplink transfer: max. 42.8 kbps</li> <li>● Coding scheme: CS-1, CS-2, CS-3 and CS-4</li> <li>● SIM5218E supports the protocols PAP (Password Authentication Protocol) usually used for PPP connections.</li> <li>● The SIM5218E integrates the TCP/IP protocol.</li> <li>● Support Packet Switched Broadcast Control Channel (PBCCH)</li> </ul>
CSD:	<ul style="list-style-type: none"> <li>● CSD transmission rates: 2.4, 4.8, 9.6, 14.4 kbps, non-transparent</li> <li>● Unstructured Supplementary Services Data (USSD) support</li> </ul>
DATA EDGE	<ul style="list-style-type: none"> <li>● EDGE E2 power class for 8 PSK</li> <li>● DTM (simple class A), multi-slot class 12</li> <li>● Downlink coding schemes – MCS 1-9</li> <li>● Uplink coding schemes – MCS 1-9</li> <li>● BEP reporting and test mode B</li> <li>● 8-bit, 11-bit RACH</li> <li>● PBCCH support</li> <li>● phase/2 phase access procedures</li> </ul>
DATA UMTS/HSDPA/HSUPA	<ul style="list-style-type: none"> <li>● Supports E-DCH (E-DPDCH, E-DPCCH) and E-AGCH, E-RGCH, E-HICH</li> <li>● Supports HS-DSCH (HS-SCCH, HS-PDSCH and HS-DPCCH)</li> <li>● Supports a maximum of four simultaneous HS-SCCH channels</li> <li>● Supports a maximum of 10 HS-PDSCH channels</li> <li>● Supports both QPSK and 16 QAM modulation.</li> <li>● Supports CQI, and ACK/NACK on HS-DPCCH channel</li> <li>● Supports all incremental redundancy versions for HARQ</li> <li>● Can switch between HS-PDSCH and DPCH channel resources as directed by the network.</li> <li>● Can be configured to support any of the two power classes 3 or 4</li> <li>● Supports network activation of compressed mode by SF/2 or HLS on the DPCH for conducting inter-frequency or inter-RAT measurements when the HS-DSCH is active.</li> <li>● STTD on both associated DPCH and HS-DSCH is supported simultaneously.</li> <li>● CLTD mode 1 is supported on the DPCH when the HS-PDSCH is active.</li> <li>● STTD on HS-SCCH is supported when either STTD or CLTD Mode 1 are configured on the associated DPCH.</li> </ul>

## SIM5218E Hardware Design

	<ul style="list-style-type: none"> <li>● Supports TFC selection limitation on the UL factoring in the transmissions on the HS-DPCCH as required in TS 25.133.</li> </ul>
SMS	<ul style="list-style-type: none"> <li>● MT, MO, CB, Text and PDU mode</li> <li>● SMS storage: SIM card</li> <li>● Support transmission of SMS alternatively over CSD or GPRS. User can choose preferred mode.</li> </ul>
SIM interface	Support SIM card: 1.8V ,3V
External antenna	Connected via 50 Ohm antenna connector or antenna pad
Audio features	Speech codec modes: <ul style="list-style-type: none"> <li>● Half Rate (ETS 06.20)</li> <li>● Full Rate (ETS 06.10)</li> <li>● Enhanced Full Rate (ETS 06.50 / 06.60 / 06.80)</li> <li>● AMR(WCDMA)</li> <li>● AMR+QCP(GSM)</li> <li>● A5/1, A5/2, and A5/3 ciphering</li> </ul>
Serial interface	<ul style="list-style-type: none"> <li>● Serial Port 4-line or 2-line mode on Serial Port Interface</li> <li>● Serial Port can be used to control module by sending AT command or receiving the GPS NMEA data.</li> </ul>
Phonebook management	Support phonebook types: SM, FD, LD, RC, ON, MC.
SIM Application Toolkit	Support SAT class 3, GSM 11.14 Release 98 Support USAT
Real time clock	Implemented
Timer function	Programmable vian at command
Physical characteristics	Size: (58.7±0.1)mm ×(28.77±0.1)mm ×(4.5±0.2) mm Weight: 15g
Firmware upgrade	Firmware upgrade over USB interface
GPS	Support GPS by NMEA port on USB interface or UART. Supports A-GPS and S-GPS.
PCM	Multiplex on GPIOs.

**Table 4: Coding schemes and maximum net data rates over air interface**

Coding scheme	1 Timeslot	2 Timeslot	4 Timeslot
CS-1:	9.05kbps	18.1kbps	36.2kbps
CS-2:	13.4kbps	26.8kbps	53.6kbps
CS-3:	15.6kbps	31.2kbps	62.4kbps
CS-4:	21.4kbps	42.8kbps	85.6kbps
MCS-1	8.80kbps	17.60kbps	35.20kbps
MCS-2	11.2kbps	22.4kbps	44.8kbps
MCS-3-	14.8kbps	29.6kbps	59.2kbps
MCS-4	17.6kbps	35.2kbps	70.4kbps
MCS-5	22.4kbps	44.8kbps	89.6kbps
MCS-6	29.6kbps	59.2kbps	118.4kbps
MCS-7	44.8kbps	89.6kbps	179.2kbps
MCS-8	54.4kbps	108.8kbps	217.6kbps
MCS-9	59.2kbps	118.4kbps	236.8kbps

### 3 Application interface

All hardware interfaces except RF interface that connects SIM5218E to the customers' cellular application platform is through a 70-pin 0.4mm pitch board-to-board connector. Figure 1 is SIM5218E system overview. Figure 2 is SIM5218E block diagram. Sub-interfaces included in this board-to-board connector are described in detail in following chapters:

- Power supply
- USB interface
- Serial interface
- Analog audio interfaces
- SIM interface
- GPIO
- ADC
- LDO Power output
- PCM interface
- MMC/SD interface
- Camera interface
- RTC
- I2C interface

Electrical and mechanical characteristics of the board-to-board connector are specified in *Chapter 6*. There we also order information for mating connectors.

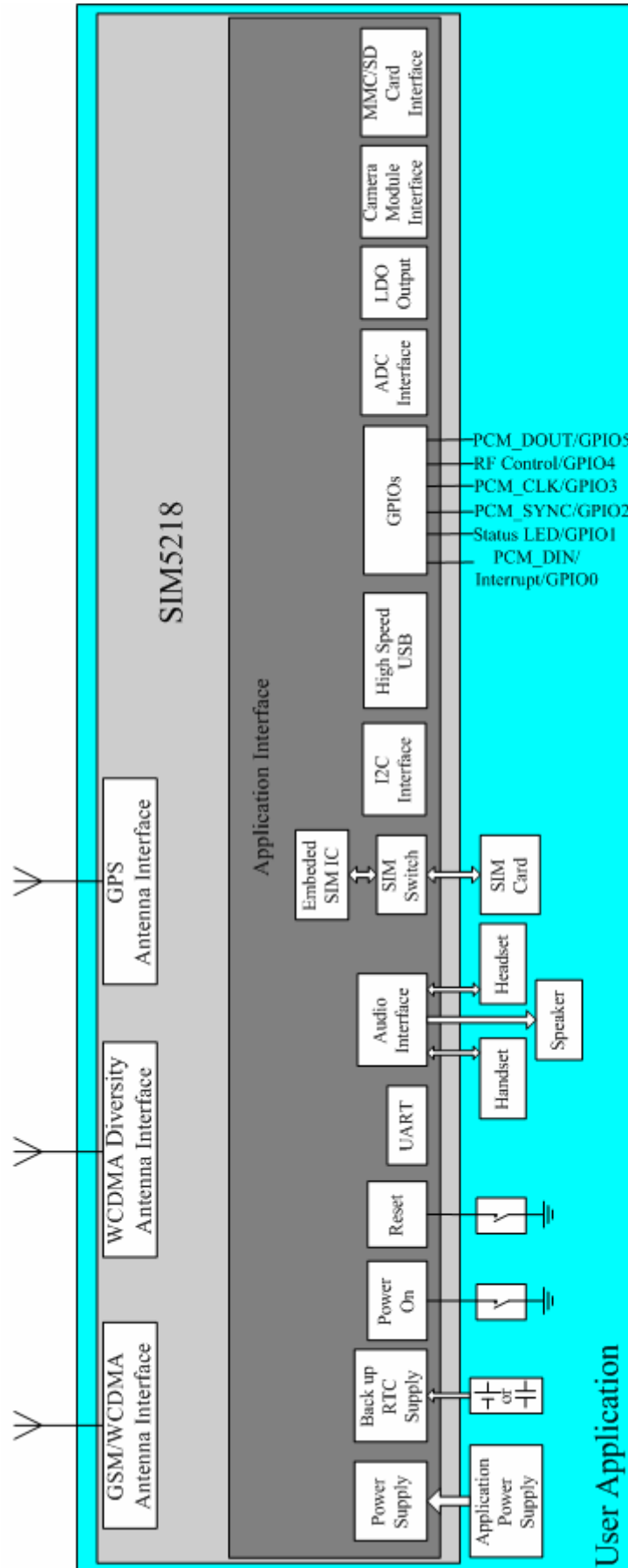


Figure 1: SIM5218 system overview

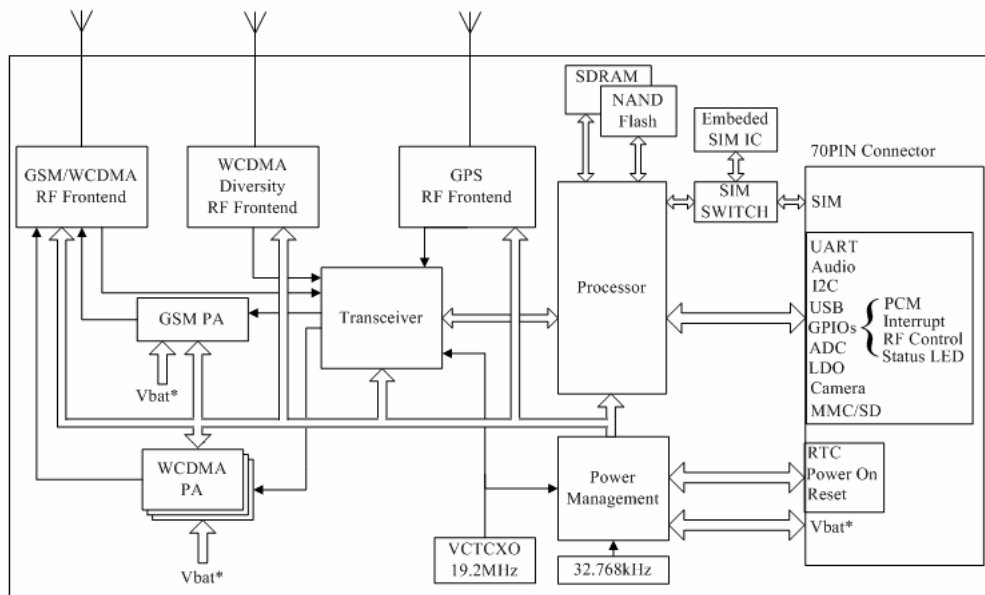


Figure 2: SIM5218E block diagram

### 3.1 SIM5218E pin description

Table 5: Board-to-Board Connector pin description

Power Supply			
PIN NAME	I/O	DESCRIPTION	DC CHARACTERISTICS
VBAT		Six BAT pins of the board-to-board connector are dedicated to connect the supply voltage. The power supply of SIM5218E has to be a single voltage source of VBAT= 3.4V...4.4V. It must be able to provide sufficient current in a transmit burst which typically rises to 2A. mostly, these six pins are voltage input	Vmax= 4.2V Vmin=3.4V Vnorm=3.8V
VRTC		Current input for RTC when the battery is not supplied for the system. Current output for backup battery when the main battery is present and the backup battery is in low voltage state.	Vmax=3.2V Vnorm=3.0V Vmin=1.5V Inorm= 1.1uA
GND		Digital ground	
Power on or power off			
PIN NAME	I/O	DESCRIPTION	DC CHARACTERISTICS
POWER_ON	I	Voltage input for power on key. POWER_ON get a low level Voltage for user to power on or power off the system. The user should keep it to	VILmax=0.2*VBAT VIHmin=0.6*VBAT VImax=VBAT



		low level for at least 64mS when power on or power off the system. Because the system need margin time assert the software.	
<b>Audio interfaces</b>			
PIN NAME	I/O	DESCRIPTION	DC CHARACTERISTICS
MIC_P MIC_N	I	Positive and negative voice-band input	Audio DC Characteristics refer to chapter 3.9.4
HP_MICP	I	Auxiliary positive voice-band input, If not use, connect to ground through a 100N cap	
EAR_P EAR_N	O	Positive and negative voice-band output, if not use ,left open	
HPR HPL	O	Auxiliary right channel and left channel voice-band output, if not use, left open.	
SPK_P SPK_N	O	Loud Speaker Output, if not use ,left open	
ADC	I	Analog Digital Converter Input	
VREG_AUX1	O	LDO power output	
<b>USB</b>			
PIN NAME	I/O	DESCRIPTION	DC CHARACTERISTICS
USB_VBUS	I	USB power supply input, if not use, left open.	
USB_DP	I/O	Plus (+) line of the differential, bi-directional USB signal to/from the peripheral device. If not use, left open.	
USB_DM	I/O	Minus (-) line of the differential, bi-directional USB signal to/from the peripheral device. If not use, left open.	
<b>Serial interface</b>			
PIN NAME	I/O	DESCRIPTION	DC CHARACTERISTICS
UART_DTR	I	Data Terminal Ready, if not use, left open.	VILmin=0V VILmax=0.3*VDD_EXT*
UART_RXD	I	Receive Data, which has been pulled down with a 15kR resistor to ground in module, if not use, left open. So please don't pull up or pull down in your application circuit.	VIHmin=0.7*VDD_EXT VIHmax= VDD_EXT+0.3 VOLmin=GND VOLmax=0.2V
UART_TXD	O	Transmit Data, if not use, left open.	VOHmin= VDD_EXT-0.2 VOHmax= VDD_EXT

### SIM5218E Hardware Design

UART_RTS	O	Request to Send, if not use, left open.	
UART_CTS	I	Clear to Send, if not use, left open.	
UART_RI	O	Ring Indicator, if not use, left open.	
UART_DCD	O	Data Carrier detection, if not use, left open.	
<b>USIM interface</b>			
PIN NAME	I/O	DESCRIPTION	DC CHARACTERISTICS
V_USIM	O	Voltage Supply for SIM card	The voltage can be select by software either 1.8v or 3V
USIM_DATA	I/O	SIM Data Output/Input, which has been pulled up with a 22kR resistor to V_USIM in module. So please don't pull up or pull down in your application circuit.	VILmin=0V VILmax=0.3*V_USIM VIHmin=0.7* V_USIM VIHmax= V_USIM +0.3
USIM_CLK	O	SIM Clock	VOLmin=GND VOLmax=0.2V VOHmin= V_USIM -0.2
USIM_RESET	O	SIM Reset	VOHmax= V_USIM
<b>IIC interface</b>			
PIN NAME	I/O	DESCRIPTION	DC CHARACTERISTICS
IIC_SDA	I/O	I2C data, if not use, left open. It has been pulled up with a 2.2kR resistor to 2.6V in module. So there is no need to pull up it in your application circuit.	
IIC_SCL	O	I2C clock output, if not use, left open. It has been pulled up with a 2.2kR resistor to 2.6V in module. So there is no need to pull up it in your application circuit.	
<b>Other interface</b>			
Reset	I	System reset in, active low.	
GPIO0 (PCM_IN)	I	General Input PIN with interrupt. If not use, left open. It also can be multiplex as the PCM_IN pin.	VIHmin=0.7*VDD_EXT* VIHmax= VDD_EXT+0.3
GPIO1	O	Status Indicating LED Control..	VOLmin=GND VOLmax=0.2V
GPIO2(PCM_SYNC)	I	General Input PIN. If not use, left open. It also can be multiplex as the PCM_SYNC pin.	VOHmin= VDD_EXT-0.2 VOHmax= VDD_EXT

### SIM5218E Hardware Design

GPIO3(PCM_CLK)	O	General Output PIN. If not use, left open. It also can be multiplex as the PCM_SYNC pin.
GPIO4	I	RF Control: Flight Modem switch
GPIO5(PCM_OUT)	O	General Output PIN. If not use, left open. It also can be multiplex as the PCM_OUT pin.

*\*Note: module internal reference supply power: VDD\_Ext=2.6V*

## 3.2 Operating modes

The following table summarizes the various operating modes, each operating modes is referred to in the following chapters.

**Table 6: Overview of operating modes**

Mode	Function	
Normal operation	Module Power Off mode	Module will go into Power off mode when the Power_on pin has been pushed to low for 2 Seconds.
	Module sleep	Module will automatically go into sleep mode when no interrupt input or other operation. In this case, the current consumption of module will reduce to the minimal level.
GSM mode	GSM IDLE	Software is active. Module has registered to the GSM network, and the module is ready to send and receive.
	GSM TALK	CSD connection is going on between two subscribers. In this case, the power consumption depends on network settings such as DTX off/on, FR/EFR/HR, hopping sequences, antenna.
GPRS mode	GPRS IDLE	Module is ready for GPRS data transfer, but no data is currently sent or received. In this case, power consumption depends on network settings and GPRS configuration (e.g. multi-slot settings).
	GPRS DATA	There is GPRS data in transfer (PPP or TCP or UDP). In this case, power consumption is related with network settings (e.g. power control level), uplink / downlink data rates and GPRS configuration (e.g. used multi-slot settings).
EDGE mode	EDGE IDLE	Module is ready for data transfer in EDGE mode, but no data is currently sent or received. In this case, power consumption depends on network settings and EDGE configuration
EDGE mode	EDGE DATA	There is data in transfer (PPP or TCP or UDP) in EDGE mode. In this case, power consumption is related with network settings (e.g. power control level), uplink / downlink data rates and EDGE configuration.

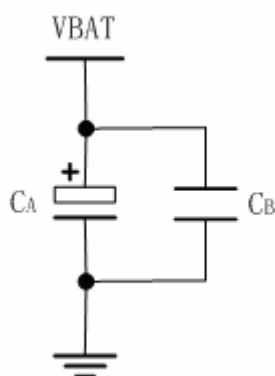
### SIM5218E Hardware Design

WCDMA mode	WCDMA IDLE	Module has registered to the WCDMA network, and the module is ready to send and receive.
	WCDMA talk	Module is active in WCDMA mode. The power consumption depends on network settings.
HSPA mode	HSPA IDLE	Module is ready for data transfer in HSPA mode, but no data is currently sent or received. Power consumption depends on network settings and HSPA configuration
	HSPA DATA	There is data in transfer (PPP or TCP or UDP) in HSPA mode. In this case, power consumption is related with network settings (e.g. power control level), uplink / downlink data rates and HSPA configuration
POWER DOWN	Normal shutdown by sending the “AT+CPOF” command or using the POWER_ON pin. The power management ASIC disconnects the power supply from the base band part of the module, only the power supply for the RTC is remained. Software is not active. The serial interfaces are not accessible. Operating voltage (connected to VBAT) remains applied.	
Minimum functionality mode (without remove power supply)	Use the “AT+CFUN” command can set the module to a minimum functionality mode without remove the power supply. In this case, the RF part of the module will not work or the SIM card will not be accessible, or RF part and SIM card will be closed all, the serial interface is still accessible. The power consumption in this case is very low.	

### 3.3 Power supply

The power supply of SIM5218E is from a single voltage source of VBAT= 3.4V...4.2V. In some case, the ripple in a transmit burst may cause voltage drops when current consumption rise to typical peaks of 2A. So the power supply must be able to provide sufficient current up to 2A.

For the VBAT input, a local bypass capacitor is recommended. A capacitor (about 100 $\mu$ F, low ESR) is recommended when use a Li battery. When you use a DC supply the Capacitor must be larger one (for example 2200u/10V), Multi-layer ceramic chip (MLCC) capacitors can provide the best combination of low ESR and small size but may not be cost effective. A lower cost choice may be a 100  $\mu$ F tantalum capacitor (low ESR) with a small (0.1  $\mu$ F to 1 $\mu$ F) ceramic in parallel, which is illustrated as following figure. And the capacitors should put as closer as possible to the SIM5218E VBAT pins. The following figure is the recommended circuit.



**Figure 3: VBAT input**

The following figure is the VBAT voltage ripple wave at the maximum power transmit phase, the test condition is VBAT=4.0V, VBAT maximum output current =2A,  $C_A=100\ \mu\text{F}$  tantalum capacitor (ESR=0.7 $\Omega$ ) and  $C_B=1\ \mu\text{F}$ .



**Figure 4: VBAT voltage drop at the maximum power transmit phase (GSM)**

And make sure that the capacitor is close to Vbat pins of 70 pins connector. If a DC/DC or LDO is used for power supply of module, you should make sure that the peak current of power supply can rise up to 2A. The reference design is putting one big capacity at the output of the DC/DC or LDO, and another big capacity beside the 70 pins connector.

### 3.3.1 Power supply pins on the board-to-board connector

Six VBAT pins of the board-to-board connector are dedicated to connect the supply voltage; six GND pins are recommended for grounding. VRTC pin can be used to back up the RTC.

### 3.3.2 Minimizing power losses

Please pay special attention to the supply power when you are designing your applications. Please make sure that the input voltage will never drop below 3.4V even in a transmit burst during which the current consumption may rise up to 2A. If the power voltage drops below 3.4V, the module may be switched off. Using the board-to-board connector will be the best way to reduce the voltage drops. You should also remove the resistance from the power supply lines on the host board or from battery pack into account.

### 3.3.3 Monitoring power supply

To monitor the supply voltage, you can use the AT command which include two parameters: voltage supply status and voltage value (in mV). It returns the battery voltage 1-100 percent of capacity and actual value measured at VBAT and GND.

The voltage is continuously measured at intervals depending on the operating mode. The displayed voltage (in mV) is averaged over the last measuring period before the AT command was executed.

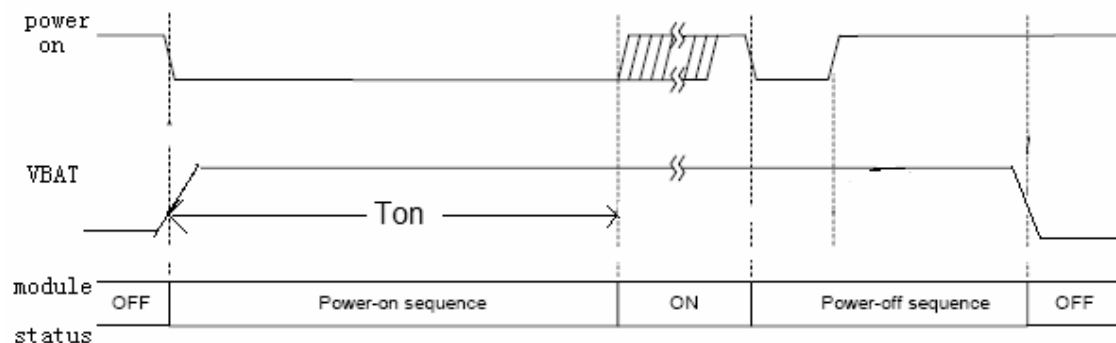
## 3.4 Power up and power down scenarios

### 3.4.1 Turn on SIM5218E

SIM5218E can be turned on by various ways, which are described in following chapters:

- Via POWER\_ON pin: starts normal operating mode;

You can turn on the SIM5218E by driving the POWER\_ON to a low level voltage for period time. The power on scenarios illustrate as following figure.

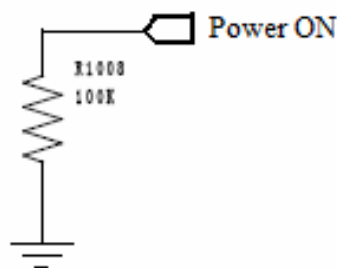


**Figure 5: Timing of turn on system**

*Note1:  $T_{on} \geq 64ms$ .*

*Note2: Commonly, the AT command can be set after 2-3S from the SIM5218E is power on.*

If VBAT was supply to SIM5218E, SIM5218E could be automatically power on by connecting Power ON pin to Low level directly. Below is the reference circuit.



**Figure 6: Automatic power on**

### 3.4.2 Turn off SIM5218E

Following procedure can be used to turn off the SIM5218E:

- Normal power down procedure: Turn off SIM5218E using the POWER\_ON pin
- Normal power down procedure: Turn off SIM5218E using AT command

#### 3.4.2.1 Turn off SIM5218E using the POWER\_ON pin (Power down)

You can turn off the SIM5218E by driving the POWER\_ON to a low level voltage for period time. The low level period of the POWER\_ON is about 64mS.

This procedure will let the module to log off from the network and allow the software to enter into a secure state and save data before completely disconnect the power supply.

#### 3.4.2.2 Turn off SIM5218E using AT command

You can use an AT command “AT+CPOF” to turn off the module. This command will let the module to log off from the network and allow the software to enter into a secure state and save data before completely disconnect the power supply.

After this moment, the AT commands can't be executed. The module enters the POWER DOWN mode, only the RTC is still active.

Please refer to for detail about the AT command of “AT+CPOF”.

#### 3.4.2.3 Under-voltage automatic shutdown

Software will constantly monitor the voltage applied on the VBAT, if the measured battery voltage is no more than 3.5V, the following URC will be presented:

***POWER LOW WARNING***

If the measured battery voltage is no more than 3.4V, the following URC will be presented:

***POWER LOW DOWN***

After this moment, no further more AT commands can be executed. The module will log off from network and enters POWER DOWN mode, only the RTC is still active (if backup battery is connected to VRTC pin).

***Notes: This feature is disable default, Use AT command to enable this feature, please refer to AT command manual.***

### **3.5 Power saving**

There are two methods to achieve SIM5218E module extreme low power. “AT+CFUN” is used to set module into minimum functionality mode and GPIO4 hardware interface signal can be used to set system to be Flight mode (Close RF).

#### **3.5.1 Minimum functionality mode**

Minimum functionality mode reduces the functionality of the module to a minimum and, thus, minimizes the current consumption to the lowest level. This mode is set with the “AT+CFUN” command which provides the choice of the functionality levels <fun>=0, 1, 4

- 0: minimum functionality;
- 1: full functionality (Default);
- 4: disable phone both transmit and receive RF circuits;

If SIM5218E has been set to minimum functionality by “AT+CFUN”, then the RF function and SIM card function will be closed, in this case, the serial port is still accessible, but all AT commands need RF function or SIM card function will not be accessible.

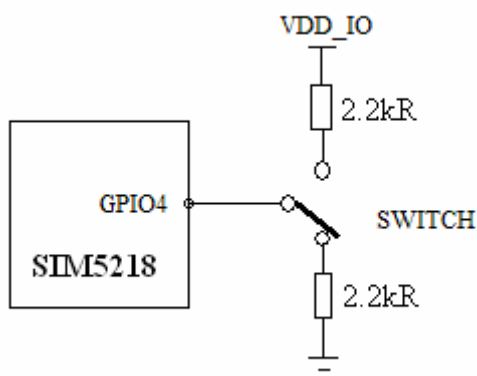
If SIM5218E has disabled all RF function by “AT+CFUN”, then RF function will be closed, the serial port is still active in this case but all AT commands need RF function will not be accessible.

When SIM5218E is in minimum functionality or has disabled all RF functionality by “AT+CFUN”, it can return to full functionality by “AT+CFUN”.

#### **3.5.2 Flight mode**

Through GPIO4 signal control SIM5218E module to enter or exit the Flight mode in customer applications. In Flight mode, SIM5218E close RF function. If left GPIO4 open, SIM5218E enter normal mode.





**Figure 7: flight mode switch**

**Table 7: logic of flight mode switch**

GPIO4 Status	Module Action
Low Level	Flight Mode: RF is closed.
High Level	Normal Mode: RF is working.

### 3.5.3 Sleep Mode

If periphery equipment stop work, and there is no on air or audio activity is required and no hardware interrupt (such as GPIO interrupt or data on serial port), SIM5218E will enter SLEEP mode automatically. In this mode, SIM5218E can still receive paging or SMS from network. If USB interface of SIM5218E is connecting with host CPU, SIM5218E don't enter sleep mode, after USB disconnecting, SIM5218E could enter sleep mode after several minutes.

### 3.5.4 Wake up SIM5218E from Sleep Mode

When SIM5218E is SLEEP mode, the following method can wake up the module.

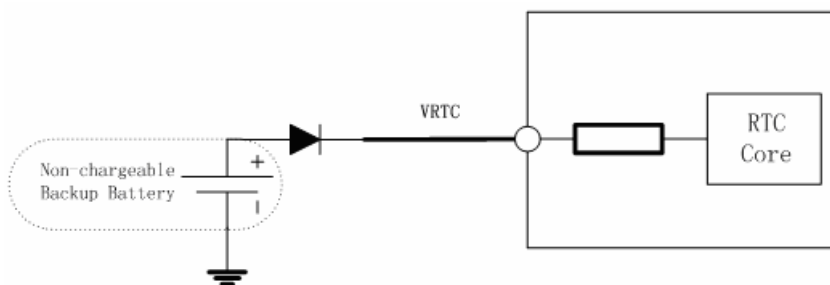
- USB interface active
- Receive a voice or data call from network to wake up SIM5218E.
- Receive a SMS from network to wake up SIM5218E.
- Receive a interrupt signal from GPIO0
- GPIO4 state change.
- Receive AT command from UART.
- UART DTR signal changed.

### 3.6 RTC backup

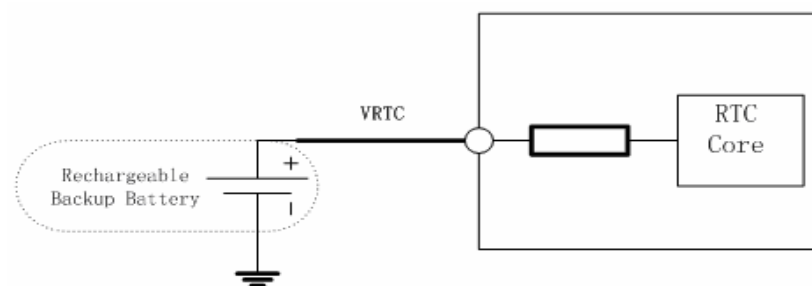
The RTC (Real Time Clock) power supply of module can be provided by an external battery or a battery (rechargeable or non-chargeable) through the VRTC (PIN11) on the board-to-board connector. You need only a coin-cell battery or a super-cap to VRTC to backup power supply for RTC. The discharge current is smaller than 10uA.the module could update local time based on universal time and time zone from network.(This feature must be supported by network ).If using this feature, please refer AT command AT+CTZU and AT +CTZR.

**Note:** *The VRTC default state can be designed to a NC pin in your circuit. If you need to use the VRTC, You may connect the VRTC pin to a battery or a capacitor.*

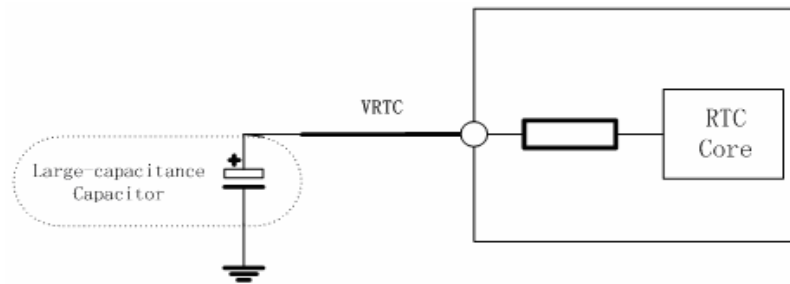
The following figures show various sample circuits for RTC backup. The series resistor is programmable from 800 Ohm to 2100 Ohm



**Figure 8: RTC supply from non-chargeable battery**



**Figure 9: RTC supply from rechargeable battery**

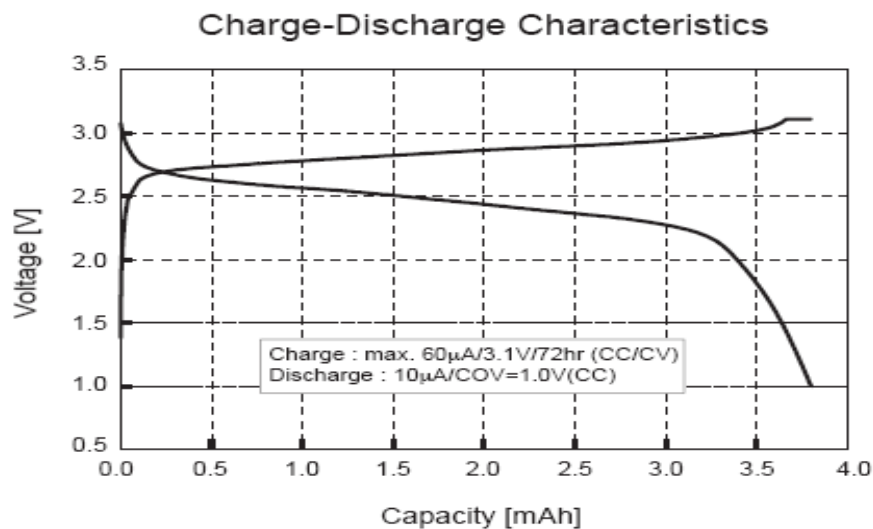


**Figure 10: RTC supply from capacitor**

- **Li-battery backup**

Rechargeable Lithium coin cells are also small in size, but have higher capacity than the double layer capacitors resulting in longer backup times. The coin normal voltage should be 3.0V

Typical charge curves for each cell type are shown in following figures. Note that the rechargeable Lithium type coin cells generally come pre-charged from the vendor.



**Figure 11: Seiko MS518 Charge and discharge Characteristic**

*Note:*

**Gold-capacitance backup**

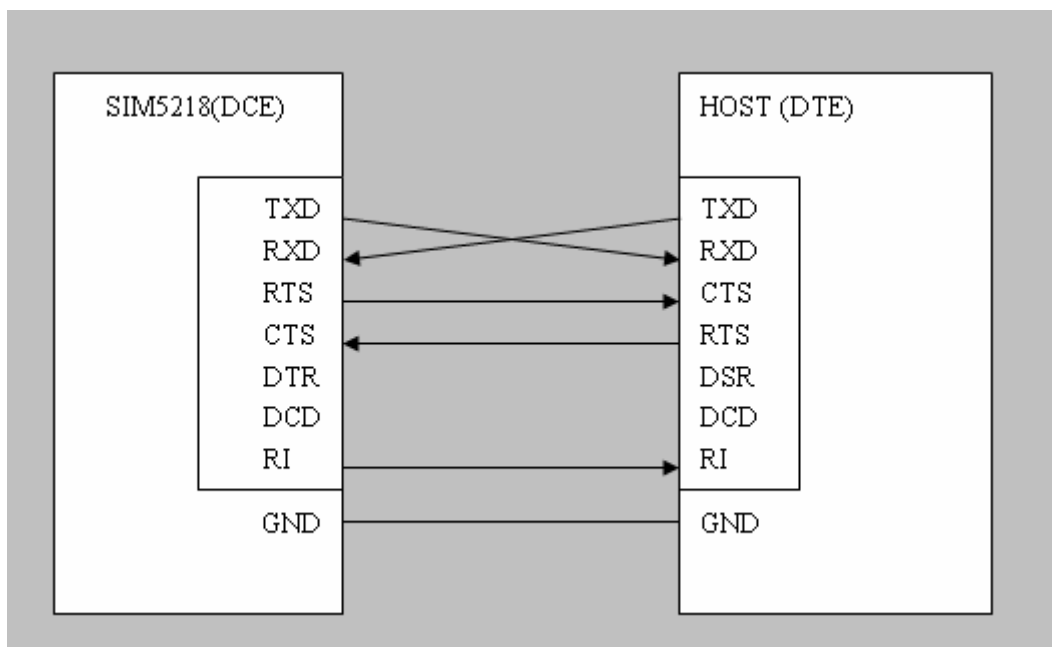
*Some suitable coin cells are the electric double layer capacitors. They have a small physical size (6.8 mm diameter) and a nominal capacity of 0.2 F to 0.3 F, giving hours of backup time.*

### 3.7 Serial interface

SIM5218E provides an unbalanced asynchronous serial port. The module is designed as a DCE

## SIM5218E Hardware Design

(Data Communication Equipment), following the traditional DCE-DTE (Data Terminal Equipment) connection, the module and the client (DTE) are connected through the following signal (as following figure shows).



**Figure 12: Interface of serial ports**

Serial port

- Port/TXD @ Client sends data to the RXD signal line of module
- Port/RXD @ Client receives data from the TXD signal line of module

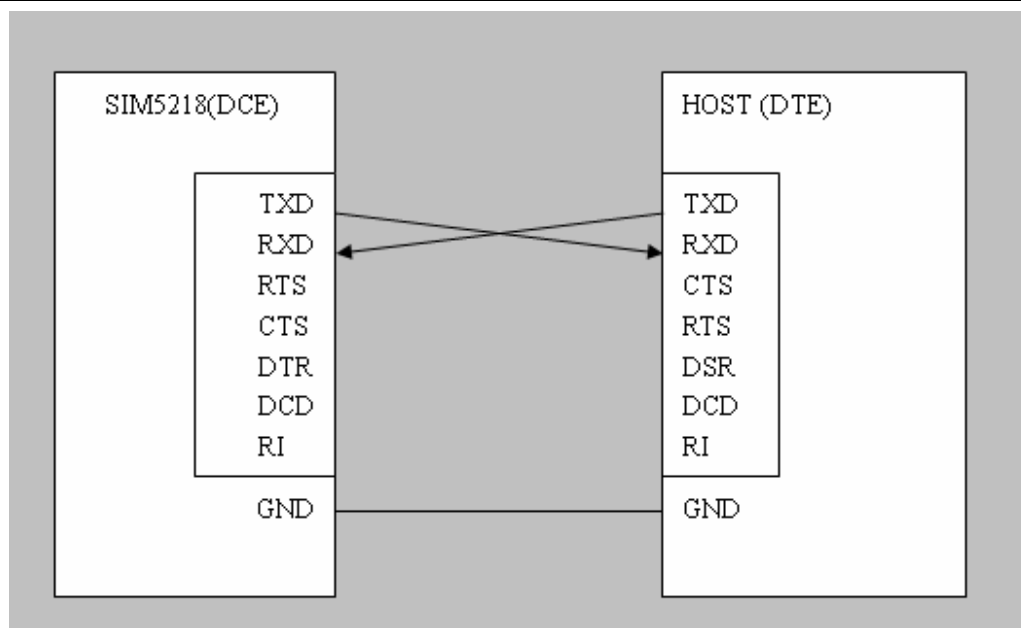
All pins of all serial ports have 8mA driver, the logic levels are described in following table

**Table 8: Logic levels of serial ports pins**

Parameter	Min	Max	Unit
Logic low input	0	0.3*VDD_EXT	V
Logic high input	0.7 *VDD_EXT	VDD_EXT +0.3	V
Logic low output	GND	0.2	V
Logic high output	VDD_EXT -0.2	VDD_EXT	V

Note: VDD\_EXT=2.6V, is module internal IO reference voltage.

SIM5218E provides an AT command to support Null modem. Null modem mode uses two lines (RXD, TXD(GND not comprised)) to setup communication between devices. The lines connection is as below.



**Figure 13: Null modem mode of serial ports**

If serial port is used in Null Modem, the pin “RI” can be used as an interrupt pin. Normally it will stay high but in certain condition such as SMS receiving, Incoming voice (CSD, video) call or URC reported. The pin “RI” will be set low to inform the master, and it will stay low until the master clear this interrupt with AT command(AT+CRIRS).If using seven lines to setup communication between devices, the pin “RI” is different. First it stays high, when a voice(CSD) call coming, the pin “RI” is set low about 5900ms, then it is set high again about 100ms. The situation will repeat until that the call is answered or hung up. After the call is answered or hung up, the pin “RI” is set high.

As DCD and DTR are not used in current serial interface, so we endue the alternate functions to these two pin.

1. DCD

You can use DCD as an normal output GPIO, just use AT command to select such function and when in such mode you also can set the value of the GPIO with AT command.

2. DTR

DTR can be used as an interrupt pin to wakeup SIM5218E(default function), normally DTR should stay high, and during sleep mode if you want to wakeup SIM5218E, you can set DTR to low for at least 12 ms, and after sufficient time you must set DTR back to high, or the interrupt will be triggered infinitely.

Functions of serial port supporting on SIM5218E is as follows:

- four-line / two-line mode on Serial Port Interface.
- Contains Data lines TXD and RXD, State lines RTS and CTS
- Serial Port can be used for CSD, PS service and send AT command of controlling module.
- Serial Port is a high-speed port. It supports the communication rate as following:  
300, 600, 1200, 2400, 4800, 9600, 19200, 38400, 57600, 115200, 230400, 460800, 921600,

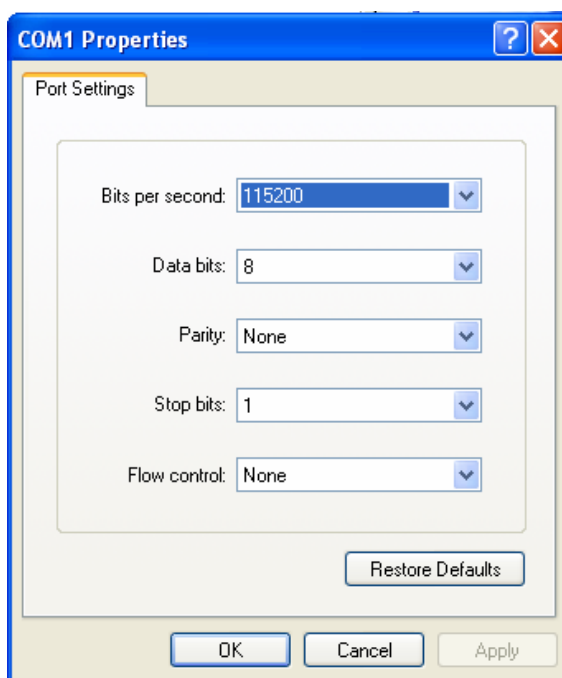
3200000,3686400, 4000000

Default band rate is 115200bps. And Data bits=8, Parity=None, Stop bits=1, Flow control=None.

**NOTE:**

- 1 *If you need use a speed higher than 115200, you should consider the length of rs232 line and the speed support of your rs232 port.*
- 2 *Though the connector has seven lines for serial port, but the line: DCD, DTR are not implemented and reserved for future use.*
- 3 *The line RI behaves the same as the standard when using four-line mode, but in two-line mode its action is not standard which is depicted above.*

Default setting in HyperTerminal software is as the following figure.



**Figure 14 : settings of serial ports**

### 3.8 Audio interfaces

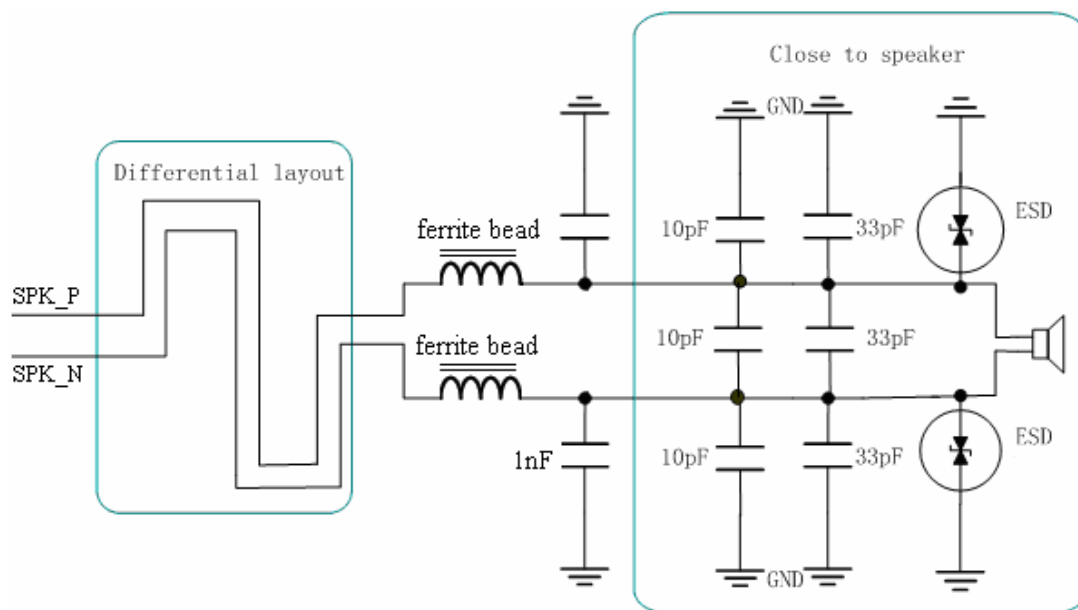
The module provides three analog audio output channels and two analog audio input channels. MIC\_P/N and HP\_MICP, are used for microphone (two analog audio input channels), EAR\_P/N, HPR/HPR and SPK\_P/N are used for audio output (three analog audio output channels). There are some AT Commands to control audio channel switch and other parameters, please refer to ATC manual.

**Table 9: Audio interface signal**

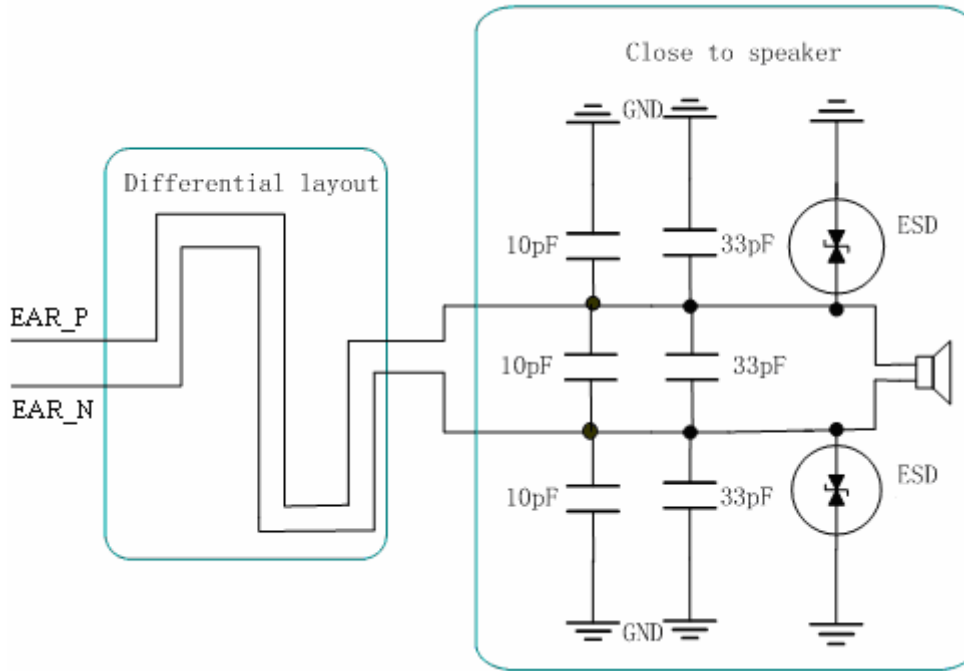
Audio channel	Pin name	Pin No	Function
NORMAL ( default )	MIC_P	43	MIC anode input
	MIC_N	44	MIC cathode input
	EAR_P	25	Receiver output anode
	EAR_N	26	Receiver output cathode
	HP_MICP	42	Headset MIC anode input
HEADSET	HPR	27	Headset right speaker
	HPL	28	Headset left speaker
	MIC_P	43	MIC anode input
Hand free	MIC_N	44	MIC cathode input
	SPK_P	23	Loudspeaker anode
	SPK_N	24	Loudspeaker cathode

It is suggested that you adopt one of two following reference circuits in order to get well speaker effect. The differential audio signals have to be layout according to differential signal layout rules. As following figures:

### 3.8.1 Speaker interface configuration

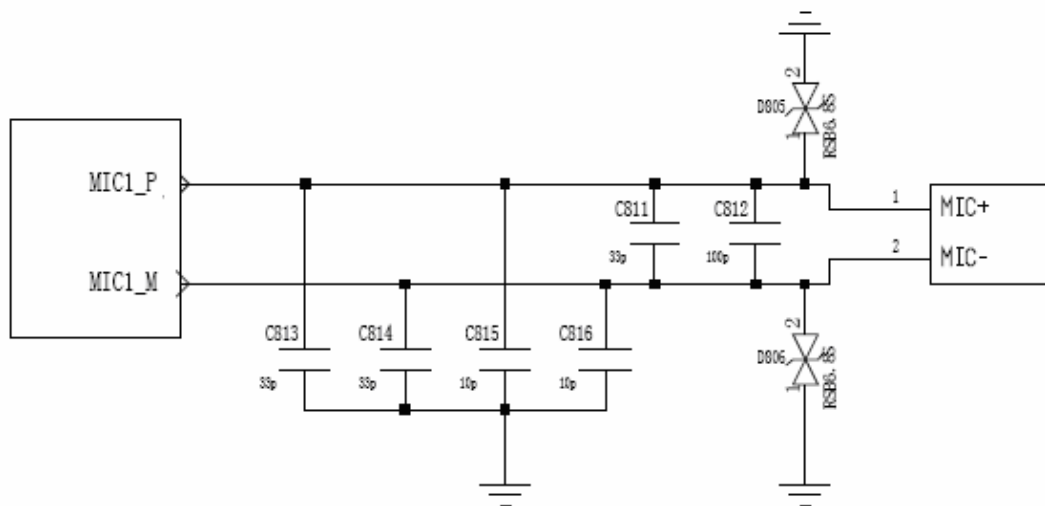
**Figure 15: Speaker interface configuration**

Because SPK\_P and SPK\_N are outputs of Class-D audio amplifier, optional EMI filtering is shown at Figure 9; these components (two ferrite beads and two capacitors) can be added to reduce electromagnetic interference. If used, they should be located near the SPK\_P and SPK\_N. Considerable current flows between the audio output pins and the speaker, so wide PCB traces are recommended (~ 20 mils).



**Figure 16: Receiver interface configuration**

### 3.8.2 Microphone interfaces configuration



**Figure 17: Microphone interface configuration**

NOTE : MIC1\_P and MIC\_M are no needed to pull up to the extern power, because they have been pulled up in Module.



### 3.8.3 Earphone interface configuration

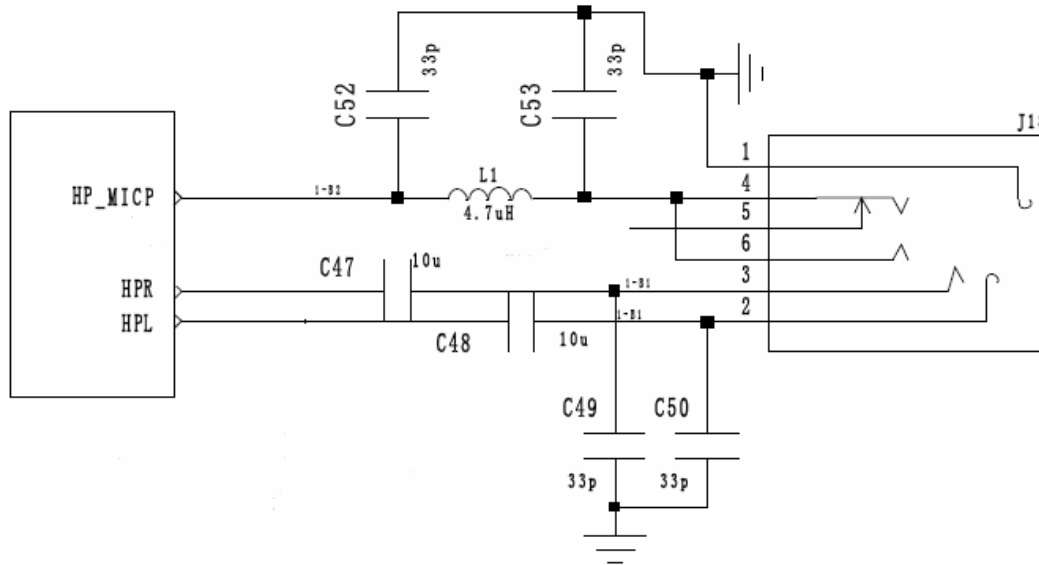


Figure 18: Earphone interface configuration

### 3.8.4 Referenced electronic characteristic

Table 10: MIC Input Characteristics

Parameter	Min	Typ	Max	Unit
Working Voltage	1.2	1.60	2.2	V
Working Current	70		400	uA
External Microphone Load Resistance	1.2	2.2		k Ohms

Table 11: Audio Output Characteristics

Parameter			Min	Typ	Max	Unit
Normal Output(EAR_P, EAR_N)	Differential	load Resistance	27	32		Ohm
		Output power		70		mW
Auxiliary Output(HPR,H PL)	Single Ended	load Resistance	12	16		Ohm
	Differential	load Resistance	27	32		Ohm
	Single Ended	Output power		21.6		mW

**Table 12: Speaker Output Characteristics**

Parameter	Min	Typ	Max	Unit
Quiescent Current		6.2		mA
Output power(1KHz)		500		mW

### 3.8.5 Programming characteristic

#### 3.8.5.1 Setting Audio Parameters by AT Commands

The audio modes 1 to 3 can be temporarily adjusted according to the AT command parameters listed in the table below. The audio parameters are set with the AT commands AT+CMIC, AT+SIDET, AT+CTXGAIN, AT+CRXGAIN, AT+CTXVOL, AT+CTXFTR, AT+CRXFTR as well as AT+VGR, AT+VMUTE, AT+MICMUT, AT+CSDVC, AT+CPTONE. For a model of how the parameters influence the audio signal path see Section 3.8.5.2.

**Table 13: Audio parameters adjustable by AT command**

Parameter	Influence to	Range	Gain range	Calculation	AT command
micAmp1	MICP/MICN analogue amplifier gain of before ADC	0...1	0...24dB	2 steps	AT+CMICAMP1
micAmp	MICP/MICN analogue amplifier gain of before ADC	0...15	0...22.5dB	1.5 dB steps	AT+CMIC
txVol	Digital gain of input signal after ADC	0, 1...65535	Mute, -84...+12 dB	$20 * \log(\text{txVol}/16384)$	AT+CTXVOL
txGain	Digital gain of input signal after summation of sidetone	0, 1...65535	Mute, -84...+12 dB	$20 * \log(\text{txGain}/16384)$	AT+CTXGAIN
txFilter	Input PCM 13-tap filter parameters, 7 values	0...65535	---	MATLAB calculate	AT+CTXFTR
rxGain	Digital gain of output signal after summation of sidetone	0, 1...65535	Mute, -84...+12 dB	$20 * \log(\text{rxGain}/16384)$	AT+CRXGAIN
rxVol	Digital Volume of output signal after speech decoder, before summation of sidetone and DAC	-300...300	dbm	-300...300dbm	AT+CRXVOL

### SIM5218E Hardware Design

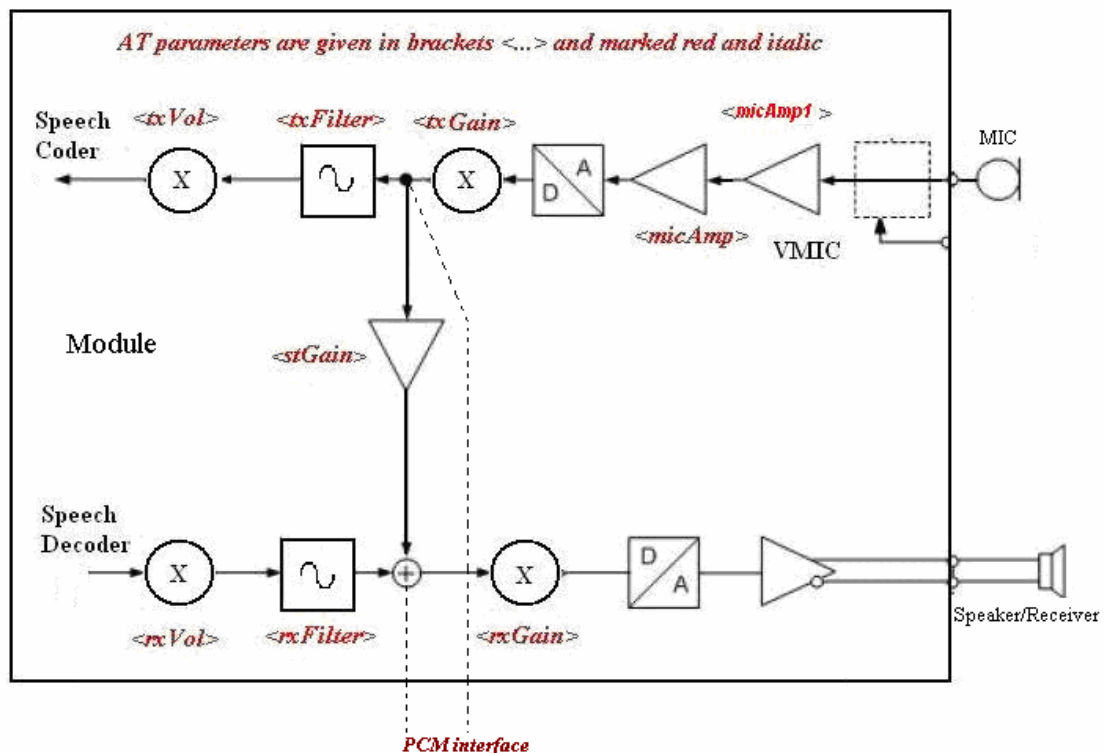
stGain	Digital attenuation of sidetone	0, 1...65535	Mute, -96...0dB	$20 * \log (stGain / 16384) - 12$	AT+CSIDET
rxFilter	Output PCM 13-tap filter parameters, 7 values	0...65535	---	MATLAB calculate	AT+CRXFTR

**NOTE: if you want to better experience on audio, you should modify these parameters for your own electronic and mechanical design of audio part. The 13-tap filter parameter could be debugged and calculated by MATLAB.**

#### 3.8.5.2 Audio Programming Model

The audio programming model shows how the signal path can be influenced by varying AT command parameters. Parameters <micAmp>, <txGain>, <txVol>, <txFilter>, <rxGain>, <stGain>, <rxVol> and <rxFilter> can be adjusted with corresponding AT commands. For more information on the AT commands and parameters see Section 3.8.5.1.

**NOTE: Please reference document [1] for detailed information of each AT command.**



**Figure 19: Audio programming model**

### 3.8.5.3 Audio characteristics

The electrical characteristics of the voiceband part depend on the current audio mode (device number) set with the AT+CSDVC command. All values are noted for default gains.

**Table 14: Audio Characteristics**

Audio Device no. AT+CSDVC=		1	2	3
Name		Handset	Headset	Speaker phone
Purpose		Default for DSB with Votronic handset	Mono Headset	handheld speaker-phone
TX-Filters		Adjustable	Adjustable	Adjustable
RX-Filters		Adjustable adjusted to fit artificial ear type 3.2 low leakage	Adjustable	Adjustable 500 Hz HP
Gain setting:		Adjustable	Adjustable	Adjustable
Default MIC path Parameters	micAmp1	0 (0 dB)	0 (0 dB)	0 (0 dB)
	micAmp	7 (10.5 dB)	7 (10.5 dB)	4 (6 dB)
	txGain	23143	51811	32690
	txVol	16384	16384	16384
	txFilter [tap0~6]	0xff33, 0x05d8, 0xf488, 0x0af3, 0x24bb, 0xca42, 0x7c95	0,0,0, 0,0,0,0	0xff3, 0x001d, 0xffb9, 0x016b, 0xfa71, 0x0c08, 0x309a
Default Output path Parameters	rxGain	11599	6523	41155
	rxVol	-100	-100	0
	stGain	2304	1024	0
	rxFilter [tap0~6]	0xff00, 0xfac9, 0x0571, 0xf365, 0x0bc2, 0xf2bb, 0x533a	0,0,0, 0,0,0,0	0xfd3f, 0xfc4f, 0xfb60, 0xfa27, 0xf97c, 0xf920, 0x3934
Power supply VMIC		ON during call	ON during call	ON during call
Sidetone		Adjustable	Adjustable	Adjustable
Volume control		Adjustable	Adjustable	Adjustable
Echo canceller Filter length Behaviour optimized for		ON 16ms low echo	ON 16ms moderate echo	ON 64ms high echo
Non Linear Processor with Comfort Noise		ON	ON	ON

### SIM5218E Hardware Design

Generator			
Noise Reduction	-12dB	-12dB	-12dB
MIC input signal for 0dBm0, 1 f= 1024 Hz	17.5mV	5mV	5mV
EP output signal in mV rms. @ 0dBm0, 1024 Hz, no load (default gain) / @ 3.14 dBm0	508mV 2.1Vpp	407mV 1.68Vpp	1220mV 4.5Vpp
Sidetone gain at default settings	25.0dB	25.3 dB	-∞ dB

#### 3.8.5.4 Adjust the sound level by AT+CVLVL

Although we provide some AT for adjust the volume such as CRXVOL and CRXGAIN. These commands can change the voice levels together, that is to say, all the levels are promoted by these two parameters. But if you want to change each sound level value, you should use command CVLVL.

This command changes the sound level values of the command CLVL. Now we provide 5 levels for each audio channel. The level 0 is muted and it can not be changed by CVLVL. Levels 1 to 4 are supported to change the value of sound level. CVLVL command could let you change these four levels. The bigger the number presents the louder the voice. And the range of each level is -5000 to 5000.

**NOTE: This command is Influence to digital volume of output signal after speech decoder. Please check the reference document [1] for detailed information of each AT command.**

#### 3.8.5.5 External codec on PCM interface

SIM5218E provides PCM interface for external codec. PCM interface pins are multiplex on GPIOs. Use AT+CPCM command to enable PCM function and configure the mode you want.

The PCM interface is a 4 pin, digital interface that enables PCM communication between the Module and an external codec. Table below describes the pins.

**Table 15: PCM pins**

Pins	Pin No. on 70 pins	Description
PCM_CLK/GPIO3	31	PCM clock for PCM communication to external codec
PCM_SYNC/GPIO2	30	PCM data strobe for PCM communication external codec

**SIM5218E Hardware Design**

PCM_DIN/GPIO0	65	PCM data input to the Module (Tx)
PCM_DOUT/GPIO5	33	PCM data output from the Module (Rx)

PCM Interface can be operated in Master and Slave mode. When the PCM interface is configured, PCM Tx data will be routed from the external codec mic through the DSP encode path in the Module. PCM Rx data will be routed through the DSP decode path to the external codec speaker. When using the PCM Interface, the Module can be set either into Master Mode or Slave Mode.

In Master Mode, the Module drives the clock and sync signals that are sent out to the external codec via the PCM Interface. When in Slave Mode, the external codec drives the clock and sync signals that are sent to the Module.

Configuration Mode can be selected either primary or auxiliary. Primary configuration mode uses 2.048MHz clock and 8kHz short sync clock, and auxiliary configuration mode uses 2.048MHz clock and 8kHz long sync clock. One important consideration is that Slave mode is only available for use with Primary configuration Mode.

In the default configuration, Module is the Auxiliary Master.

Many parameters of external codec audio channel are not available. Only RxVolume, FIR, are still available after enabling PCM.

**Table 16: PCM external codec Characteristics**

<b>Audio Device no.</b>	<b>4</b>	
<b>AT+CSDVC=</b>		
Name	External Codec	
Default MIC path Parameters	micAmp	No available
	txGain	No available
	txVol	No available
	txFilter [tap0~6]	0xff33, 0x05d8,0xf488, 0x0af3, 0x24bb, 0xca42,0x7c95
Default Output path Parameters	rxGain	No available
	rxVol	-100
	stGain	No available
	rxFilter [tap0~6]	0xff00, 0xfac9,0x0571, 0xf365, 0x0bc2, 0xf2bb,0x533a
Default values of sound level (level 1 to 4)		0
		0
		0
		0

**NOTE: Please check the reference document [1] for detailed information of each AT command. More information on PCM interface in section 3.19.**

## 3.9 USIM card interface

### 3.9.1 USIM card application

You can use AT Command to get information in USIM card. For more information, please refer to *document [1]*.

The universal subscriber identification module (USIM) is a smart card for UMTS/GSM cellular applications. The USIM provides the required subscription information to allow the mobile equipment to attach to a GSM or UMTS network. The USIM also provides the subscriber's verification procedures as well as authentication methods for network authentication during the attach procedures. The USIM card can be inserted into any UMTS/GSM USIM equipped handset, allowing the user to receive or make calls, and receive other subscribed services from any USIM equipped handset, thus enabling more handset independence for the user.

Both 1.8V and 3.0V SIM Cards are supported.

The SIM interface is powered from an internal regulator in the module having nominal voltage 2.8V. All pins reset as outputs driving low. Logic levels are as described in below table.

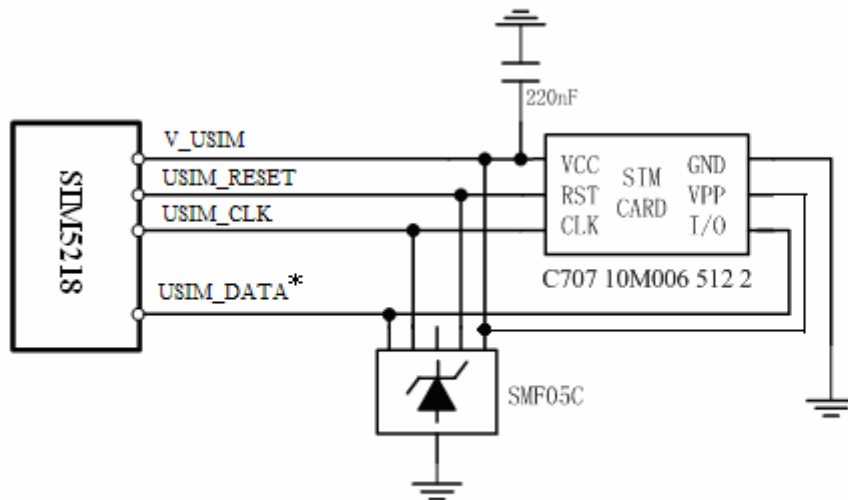
**Table 17: USIM interface**

Pin	Signal	Description
57	V_USIM	USIM Card Power output automatic output on USIM mode, one is 3.0V±10%, another is 1.8V±10%. Current is about 10mA.
56	USIM_DATA	USIM Card data I/O, which has been pulled up with a 22kR resistor to V_USIM in module. So please don't pull up or pull down in your application circuit.
12	USIM_CLK	USIM Card Clock
13	USIM_RESET	USIM Card Reset

**Table 18: Signal of USIM interface (board-to-board connector)**

Following is the reference circuit about USIM interface. We recommend an Electro-Static discharge device ST ([www.st.com](http://www.st.com)) ESDA6V1W5 or ON SEMI ([www.onsemi.com](http://www.onsemi.com)) SMF05C for “ESD ANTI”. If you remove ESD components, please replace them with 33pF and 10pF capacitors, it's good for EMI performance. Note that the USIM peripheral circuit close to the USIM card socket.

You can select the 6 pins USIM card. The reference circuit about 6 pins USIM card illustrates as following figure.

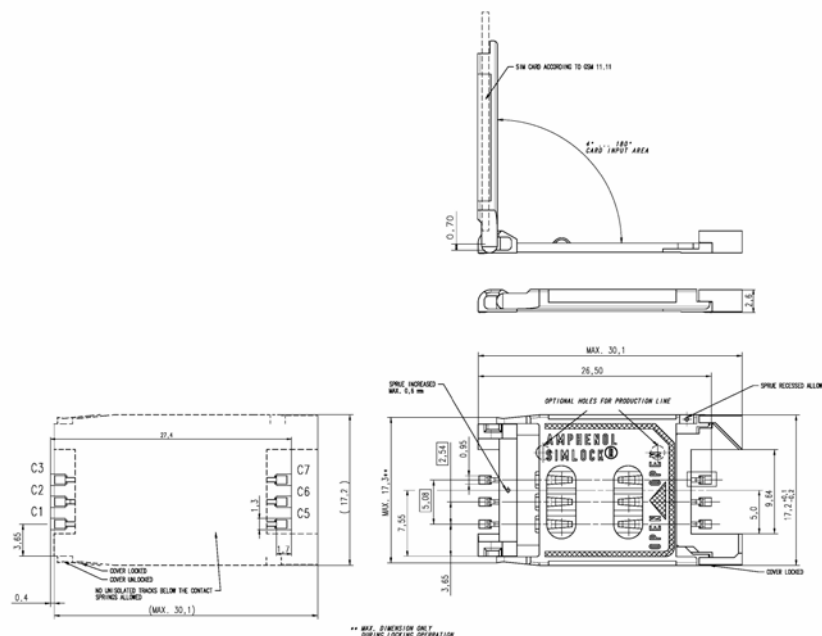


\*Note: USIM\_DATA, which has been pulled up with a 22kR resistor to V\_USIM in module. So please don't pull up or pull down in your application circuit.

**Figure 20: USIM interface reference circuit with 6 pins USIM card**

### 3.9.2 Design considerations for USIM card holder

For 6 pins USIM card, we recommend to use Amphenol C707 10M006 512 2 .You can visit <http://www.amphenol.com> for more information about the holder.



**Figure 21: Amphenol C707 10M006 512 2 SIM card holder**



**Table 19: Pin description (Amphenol SIM card holder)**

Pin	Signal	Description
C1	USIM_VDD	SIM Card Power supply, it can identify automatically the SIM Card power mode, one is 3.0V±10%, another is 1.8V±10%. Current is about 10mA.
C2	USIM_RST	SIM Card Reset.
C3	USIM_CLK	SIM Card Clock.
C5	GND	Connect to GND.
C6	VPP	Connect to USIM_VDD
C7	USIM_DATA	SIM Card data I/O.

### 3.9.3 Embedded SIM card IC

SIM5218E also supports Embedded SIM card IC, which is a dedicated, purpose-designed SIM card. And it has been integrated in SIM5218E. SIM5218E supports switching between two USIM cards (one is Embedded SIM card IC, and the other is external classical SIM card) by an AT command.

*\*Note: This feature will be supported by customization. Customer should provide information written into Embedded SIM card IC.*

### 3.10 I2C interface

SIM5218E contains an I2C interface. It is used for connecting peripheral equipment. Use AT Command to read/write value of I2C peripheral equipment. Because I2C has been pulled up in SIM5218E, there is no need to be pulled up by customer.

**Table 20: PIN define of IIC interface**

Pin	Name	Function	Lever
47	IIC_SDA	Serial interface data input and output	
46	IIC_SCL	Serial interface clock input	

*\*Note: IIC\_SDA and IIC\_SCL have been pulled up with two 2.2kR resistors to 2.6V in module. So there is no need to pull them up in your application circuit.*

### 3.11 High speed USB interface

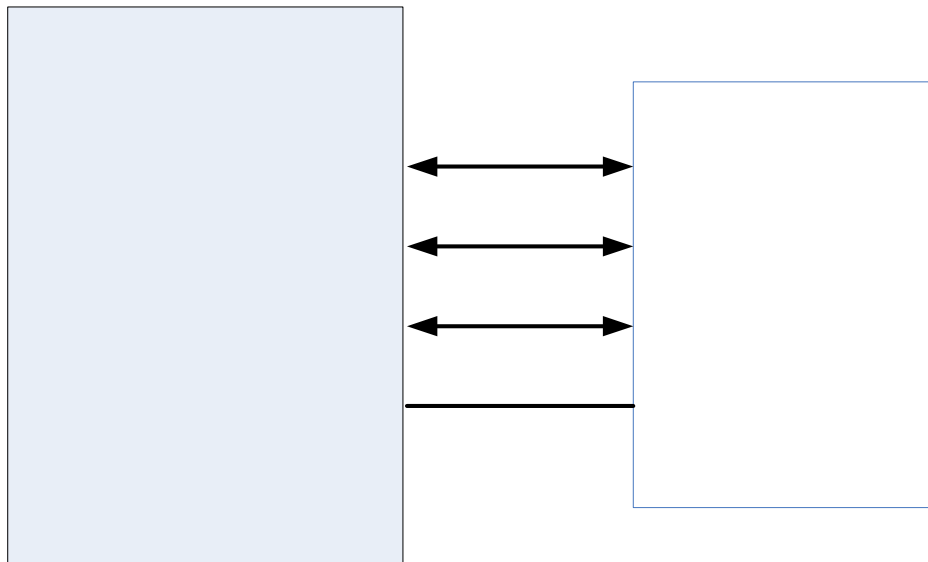
SIM5218E contains a high speed universal serial bus (USB) interface. This interface is compliant with the USB 2.0 specification. The speed is up to 480Mbps. The speed is up to 480Mbps. So please pay attention to influence of junction capacitance of ESD component on USB data lines.

Typically, the capacitance value should be less than 4pF @1MHz.

Links to these and related specifications can be found at [www.usb.org](http://www.usb.org)

**Table 21: USB PIN connect**

Name	PIN( B to B)	Input voltage scope( V )		
		Min	Type	Max
USB_VBUS	9	4.4	5.0	5.25
USB_DP	60			
USB_DM	59			
GND	58			

**Figure 22: USB interface**

Currently SIM5218E supports the USB suspend & resume mechanism which can help to save much current. If no transaction on USB bus then SIM5218E will enter to suspend mode and when some events happened (such as incoming call or SMS received) during the suspend mode then SIM5218E will resume automatically.

*Notes: when use the Mini-B it has no ID line.*

*Notes : Two limitations on ESD protection: less than 4 pF and VBUS not to rail.*

### 3.12 Module Reset

SIM5218E also have a RESET pin (PIN29) input, When should reset the module, one can push the RESET pin to low and the module reset.

### 3.13 General purpose input & output (GPIO)

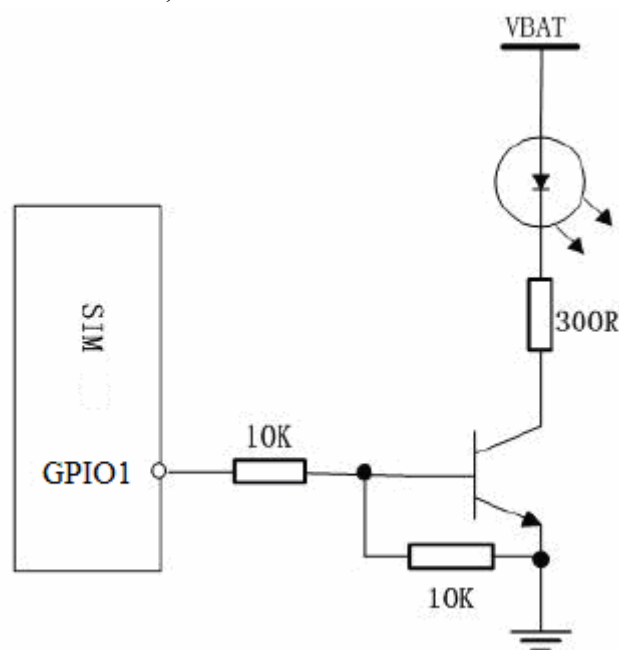
SIM5218E provides a limited number of General Purpose Input/Output signal pin. Please check the following table:

**Table 22: GPIO Pins of SIM5218E**

Pin	Name	Direction	Function
65	GPIO0	Input, interrupt	Input Port with interrupt, Use AT Command to set interrupt triggering mechanism & polarity .
10	GPIO1	Output	used as status LED driver
30	GPIO2	Input	General Purpose Input Port without interrupt.
31	GPIO3	Output	General Purpose Output Port (default value: Low Level)
32	GPIO4	Input	RF Control Interrupt: Flight Mode Switch
33	GPIO5	Output	General Purpose Output Port (default value: Low Level)

GPIO0 is used for interrupt pin, default triggering mechanism is level trigger, and low level will trigger interrupt. After interrupt, SIM5218E would send out Alarm information to host CPU. Please Refer to “AT Command Manual”.

GPIO1 be used to control Status LED,

**Figure 23: status LED circuit**

*Notes: 300R Resistor's value depends on LED.*

And status indicating table is as follow.

**Table 23: meanings of status LED**

Status	Data	Voice
Always On	Searching Network	Searching Network/Call Connect
200ms ON, 200ms OFF	Data Transmit	
800ms ON, 800ms OFF	Registered network	Registered Network
Off	Power Off	

GPIO4 be used to control RF close or on, blow is the Flight Mode Switch logic table.

**Table 24: logic of GPIO4**

GPIO4 Status	Module Action
L	Flight Mode: RF is closed.
H	Normal Mode: RF is working.

Use AT

Command to read or write GPIO2, GPIO3, GPIO5 status (High or Low level).

**NOTE:**

**1 .For SIM5218E, GPIO0, GPIO2, GPIO3 and GPIO5 can be multiplex function, you can use them as PCM interface to connect extend codec. Please refer section 3.8.5.5 and document [1] for detail information.**

**2 .Extended GPIO: UART DTR & DCD could be use as GPIO, please refer to “3.7 Serial interface”**

### 3.14 ADC interface

SIM5218E has an analog-to-digital converter (ADC) that is available for digitizing analog signals such as battery voltage, temperature and so on, it's on PIN 30, name HKADC0, This HKADC0 is 8 bit successive-approximation circuit, and performance specification is shown as following table:

**Table 25: ADC Characteristics**

Specification	Min	Typ	Max	Unit	Comments/Conditions
Resolution		8		Bits	
differential nonlinearity	-0.75		+0.75	LSB	. Analog Vdd = ADC reference 300 kHz - 1.2 MHz sample rate
Integral nonlinearity	-1.5		+1.5	LSB	
Gain Error	-2.5		+2.5	%	
Offset Error	-3		+3	LSB	
Input Range	GND		2.65	V	
3dB input bandwidth		2500			Source resistance = 50 Ω
Input serial resistance			1	kΩ	Sample and hold switch resistance
Input capacitance		12		pF	
Power-down to wakeup			5	μ s	
Throughput rate	40.95	67.58		kHz	

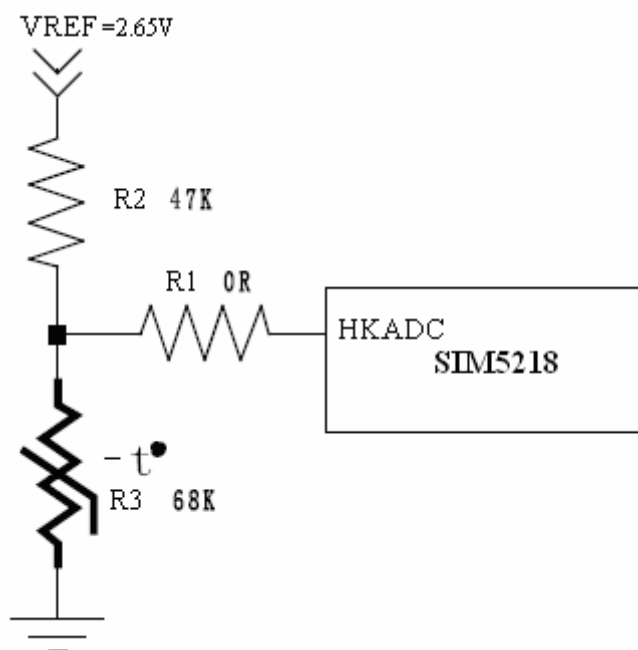
## SIM5218E Hardware Design

We implement two channels on this pin, one is read in raw type ADC value, and the other is read in temperature type ADC value.

You can put a voltage range from 0 to 2.65V on the pin directly using it as a raw type ADC channel. The range of the return value is from 0 to 255.

Show a application sample:

You can use it as a temperature ADC channel, too. The reference design of a temperature ADC circuit is such as the figure below. R1 is 0 $\Omega$ , R2 is 47 k $\Omega$  and R3 is 68 k $\Omega$  for reference. The VREF should be 2.65V. The range of the return value is from -30 to 150.



**Figure 24: ADC interface used for temperature sampling reference circuit**

### 3.15 LDO power output

SIM5218E has a LDO power output, it is PIN 40, name VREG\_AUX1. This LDO default output voltage is 2.85V, and driver current is rated for 150mA. This LDO could be used as a power supply for SD card, and the SD card data/command lines can also be pulled up by it..

### 3.16 Camera module interface

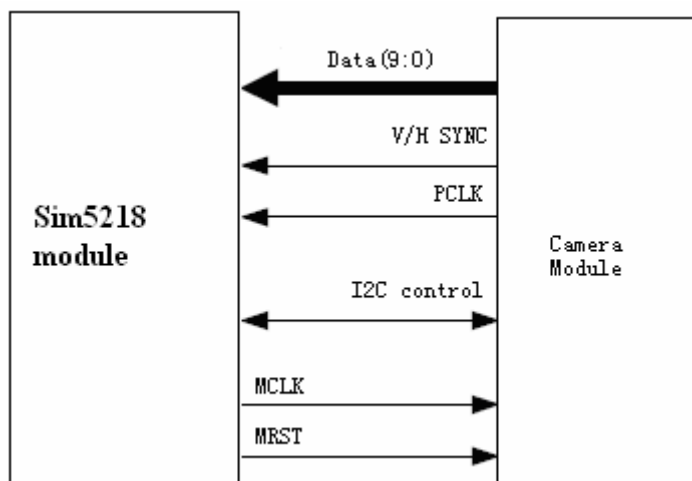
SIM5218E provides a Camera module interface for supporting Camera and Video phone functions. SIM5218E can support both digital and analog sensor(NTSC or PAL composite signals output), YUV and RGB data format. When using analog sensor you needs to use AK8856(currently we supported) to decode NTSC or PAL composite signals into digital data first and then transmit the digital data into camera interface.

## SIM5218E Hardware Design

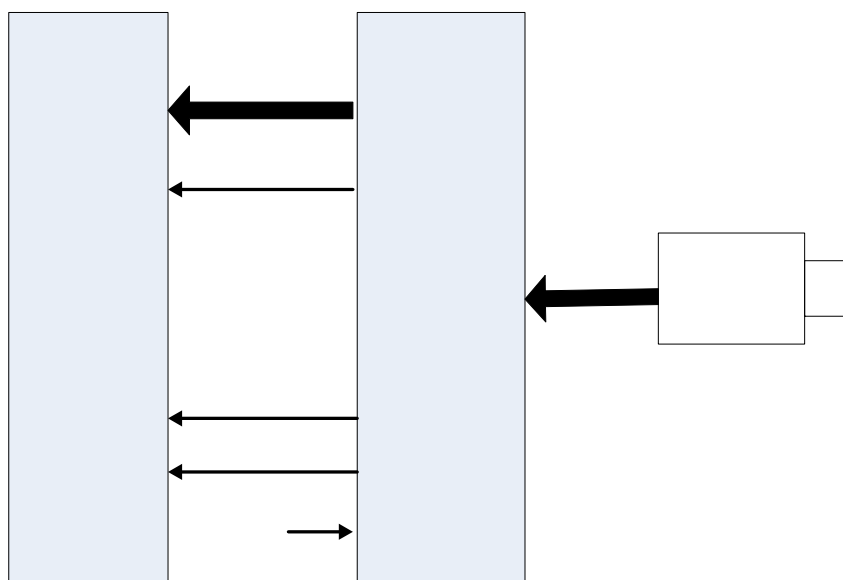
When you use a YUV output sensor, you should connect the output data0~data7 to SIM5218E out PIN CAM\_D2~CAM\_D9.

The camera module interface consists of the following:

- 10 bit data bus for the pixel data information
- Horizontal and vertical synchronization signals
- 2 wire I2C bus as a control path between the SIM5218E module device and the camera module



**Figure 25: Camera module interface**



**Figure 26: Camera module interface with analog sensor**

The following table is the pin definition.

**Table 26: PIN define of sensor interface**

Pin	Name	Function	Lever
14	CAM_D0	Bit 0 of RGB video component output	
55	CAM_D1	Bit 1 of RGB video component output	
15	CAM_D2	Bit 2 of RGB or YUV D0 video component output	
54	CAM_D3	Bit 3 of RGB or YUV D1 video component output	
16	CAM_D4	Bit 4 of RGB or YUV D2 video component output	
53	CAM_D5	Bit 5 of RGB or YUV D3 video component output	
17	CAM_D6	Bit 6 of RGB or YUV D4 video component output	
52	CAM_D7	Bit 7 of RGB or YUV D5 video component output	
18	CAM_D8	Bit 8 of RGB or YUV D6 video component output	
51	CAM_D9	Bit 9 of RGB or YUV D7 video component output	
19	CAM_HSYNC	Video horizontal line synchronization signal	
50	CAM_VSYNC	Vertical sync output	
21	CAM_CLK	master clock input	
49	CAM_PCLK	Pixel clock output	
48	CAM_RESET	Master reset input, active low	
47	IIC_SDA	Serial interface data input and output	
46	IIC_SCL	Serial interface clock input	
20	GND	Ground	
22	CAM_STANDBY	Power-down mode selection “1”=Normal mode, “0”=Power-down mode	

**\*Note: Camera module interface function is just supported by SIM5218E software.**

We have tested several kinds of digital sensors, such as OV2640, OV7670, OV7725 and a NTSC/PAL digital video decoder named AK8856(decodes NTSC or PAL composite video signals into digital video data which means with this decoder you can use analog sensor as video source) . Software must be adjusted when use other kinds of sensors. Custom can contact us and give us your request. The power supply of the sensor should be supplied by custom.

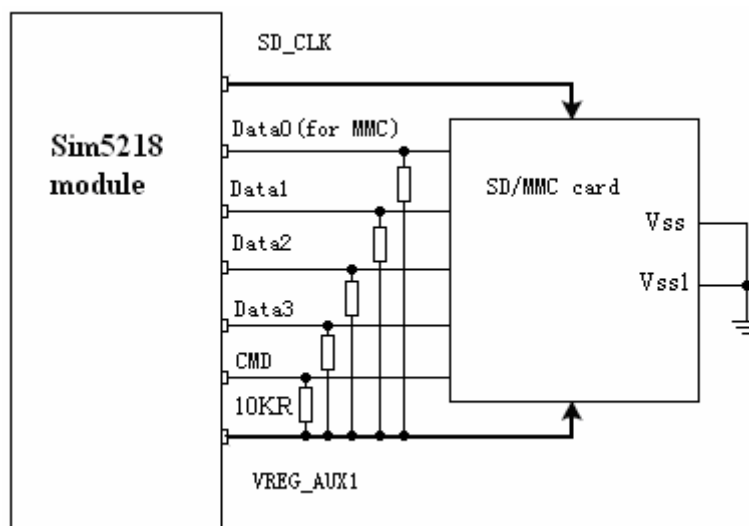
### 3.17 MMC/SD card interface

SIM5218E provides one MMC/SD card interface. The SIM5218E acts as a HOST. The SIM5218E device has a 4-bit SD interface. It supports 4 bits of data and a command signal. In addition, a clock output is provided by the SIM5218E to be used as SD\_CLK, or MMC\_CLK. This clock is designed to be used with the MMC/SD interface and is what customers should use with the MMC/SD cards. A LDO power output is provided by the SIM5218E for the power supply of MMC/SD card, it is PIN 40, name VREG\_AUX1. This LDO default output voltage is 2.85V, and driver current is rated for 150mA. Meanwhile data lines can be pulled up by VREG\_AUX1.

The following features are implemented:

## SIM5218E Hardware Design

- Supports 4-bit SD, 1-bit SD, and 1-bit MMC interface
  - SW-configurable edge latching (falling or rising)
  - SW-configurable data and command values change (rising or falling edge)
  - Clock-gating for power saving (and a power-saving option to always turn the clock off when bus is idle)
  - Flow control option to prevent overflow and underflow
  - SD\_CLK output up to 25 MHz
- Following figure illustrate and describe the MMC/SD interface.



**Figure 27: MMC/SD interface**

As mentioned, the MMC/SD interface supports SD according to the SD physical layer specification 2.0, up to 4-bit data mode. It is also capable of supporting 1-bit MMC according to MCC specification 3.31. While the same hardware controller is used, the initialization for SD cards and MMCs are different. SIM5218E will auto-detect which card is inserted (SD or MMC, or no card) and will proceed accordingly.

**Table 27: MMC/SD pin of SIM5218E**

Name	Direction	Pin (On board-to-board connector)	voltage scope( V )		
			Min	Type	Max
SD_DATA0	Input /Output	36	2.7	2.85	3.0
SD_DATA1	Input /Output	37	2.7	2.85	3.0
SD_DATA2	Input /Output	38	2.7	2.85	3.0
SD_DATA3	Input /Output	39	2.7	2.85	3.0
SD_CLK	Output	34	2.7	2.85	3.0
SD_CMD	Output	35	2.7	2.85	3.0
VREG_AUX1	Output	40	2.7	2.85	3.0



**Table 28 : MMC/SD pin connector**

Name	SD card	MMC card
SD_DATA0	SD_DATA0	MMC_data
SD_DATA1	SD_DATA1	NC
SD_DATA2	SD_DATA2	NC
SD_DATA3	SD_DATA3	NC
SD_CLK	SD_CLK	MMC_CLK
SD_CMD	SD_CMD	MMC_CMD
VREG_AUX1	SD_VDD	MMC_VDD

**\*Note:** SD card interface function is supported by SIM5218E software. You can use VREG\_AUX1 for power supply of SD card and pull up power for data lines.

### 3.18 Global Positioning System (GPS)

SIM5218E merges global positioning system (GPS) satellite and network information to provide a high-availability solution that offers industry-leading accuracy and performance. This solution performs well, even in very challenging environmental conditions where conventional GPS receivers fail, and provides a platform to enable wireless operators to address both location-based services and emergency mandates.

#### 3.18.1 GPS modes

SIM5218E supports both A-GPS and S-GPS and provides three operating modes: mobile-assisted mode, mobile-based mode and standalone mode. A-GPS is include mobile-assisted and mobile-based mode.

In mobile-assisted mode, when a request for position location is issued, available network information is provided to the location server (e.g., Cell-ID) and assistance is requested from the location server. The location server sends the assistance information to the handset. The handset/mobile unit measures the GPS observables and provides the GPS measurements along with available network data (that is appropriate for the given air interface technology) to the location server. The location server then calculates the position location and returns results to the requesting entity.

In mobile-based mode, the assistance data provided by the location server encompasses not only the information required to assist the handset in measuring the satellite signals, but also the information required to calculate the handset's position. Therefore, rather than provide the GPS measurements and available network data back to the location server, the mobile calculates the location on the handset and passes the result to the requesting entity.

## **SIM5218E Hardware Design**

In standalone (autonomous) mode, the handset demodulates the data directly from the GPS satellites. This mode has some reduced cold-start sensitivity, and a longer time to first fix as compared to the assisted modes. However, it requires no server interaction and works out of network coverage.

This combination of GPS measurements and available network information provides:

- High-sensitivity solution that works in all terrains: indoor, outdoor, urban, and rural
- High availability that is enabled by using both satellite and network information

Therefore, while network solutions typically perform poorly in rural areas and areas of poor cell geometry/density, and while unassisted, GPS-only solutions typically perform poorly indoors, the SIM5218E GPS solution provides optimal time to fix, accuracy, sensitivity, availability, and reduced network utilization in both of these environments, depending on the given condition.

The SIM5218E GPS solution in assisted modes provides cold-start GPS sensitivity that is an approximately 20 to 30 dB improvement over unassisted, conventional GPS receivers.

Compared to network solutions that require equipment at each cell site, the SIM5218E GPS solution integrates a complete GPS receiver in every module. This means that each handset is capable of position location without requiring expensive cell site equipment. This solution not only can be used to help operators address the FCC E911 mandate in the United States (and mandates planned for other countries), but also provides a ubiquitous platform for location-based applications, since SIM5218E GPS technologies will also enable consumer-priced, position-capable handsets for location-based services worldwide.

### **3.18.2 Using GPS by NMEA port**

SIM5218E uses GPS by NMEA port. You can select NMEA output over the UART or USB by configuration. Output of NMEA sentences is automatic; no control via commands is provided. Supported NMEA sentences include GSV, GGA, RMC, GSA, and VTG.

Before using GPS, we should configure SIM5218E to be in properly operating type by AT command. Please refer related document for detailed information.

SIM5218E can get position location information through AT command directly, it's unnecessary decode the NMEA code.

## **3.19 PCM Interface**

SIM5218E provides PCM interface. The SIM5218E PCM interface can be used in two modes: 1) the default mode is its auxiliary PCM that runs at 128 kHz, and uses a  $62.5 \mu s$  sync pulse (half a time frame); 2) the other mode is its primary PCM that runs at 2.048 MHz, and uses 488 ns sync pulse (one 2.048 MHz clock tick).

Both the PCM interface modes, auxiliary and primary, use the same SIM5218E pins. The PCM pin assignment is shown in the table below.

**Table 29 : PCM pin assignment**

Pins	Pin No. on 70 pins	AUX_PCM functionality	Primary PCM interface functionality
PCM_CLK/GPIO3	31	AUX_PCM_CLK	PCM_CLK
PCM_SYNC/GPIO2	30	AUX_PCM_SYNC	PCM_SYNC
PCM_DIN/GPIO0	65	AUX_PCM_DIN	PCM_DIN
PCM_DOUT/GPIO5	33	AUX_PCM_DOUT	PCM_DOUT

The default PCM interface on power up is the auxiliary PCM interface. Under PCM, the data is output on the rising edge of PCM\_CLK and sampled at the falling edge of PCM\_CLK. Primary PCM is disabled at power up or when RESIN\_N is asserted, but you can use AT command to enable the primary PCM mode.

PCM Interface can be operated in Master and Slave mode. When the PCM interface is configured, PCM Tx data will be routed from the external codec Mic through the DSP encode path in the Module. PCM Rx data will be routed through the DSP decode path to the external codec speaker. When using the PCM Interface, the Module can be set either into Master Mode or Slave Mode.

In Master Mode, the Module drives the clock and sync signals that are sent out to the external codec via the PCM Interface. When in Slave Mode, the external codec drives the clock and sync signals that are sent to the Module.

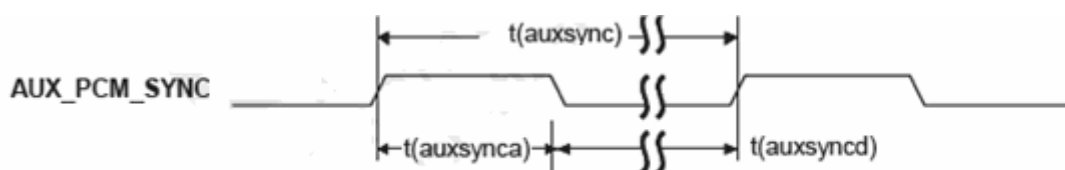
Configuration Mode can be selected either primary or auxiliary. Primary configuration mode uses 2.048MHz clock and 8kHz short sync clock, and auxiliary configuration mode uses 2.048MHz clock and 8kHz long sync clock. One important consideration is that Slave mode is only available for use with Primary configuration Mode.

Both PCM modes are discussed in this section, followed by additional PCM topics.

### 3.19.1 Auxiliary PCM

The auxiliary PCM interface enables communication with an external codec to support hands-free applications.  $\mu$ -law codec are supported by the auxiliary PCM interface.

The auxiliary codec port operates with standard long-sync timing and a 128 kHz clock. The AUX\_PCM\_SYNC runs at 8 kHz with 50% duty cycle. Most  $\mu$ -law codec support the 128 kHz clock.

**Figure 28: AUX\_PCM\_SYNC timing**

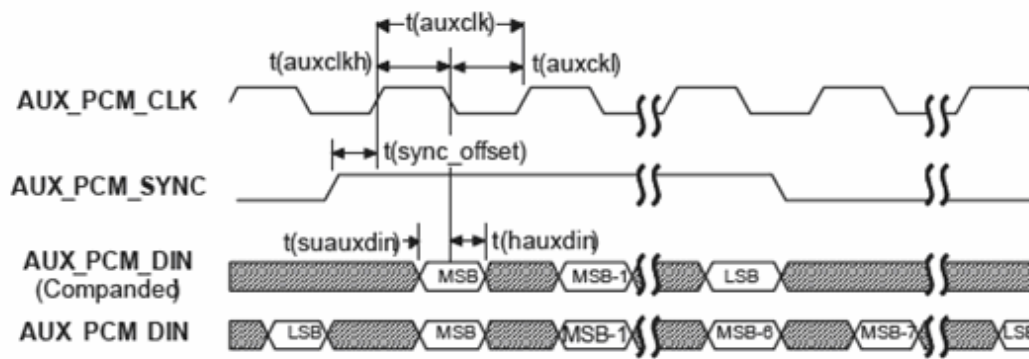


Figure 29: AUX\_PCM\_CODEC to SIM5218E timing

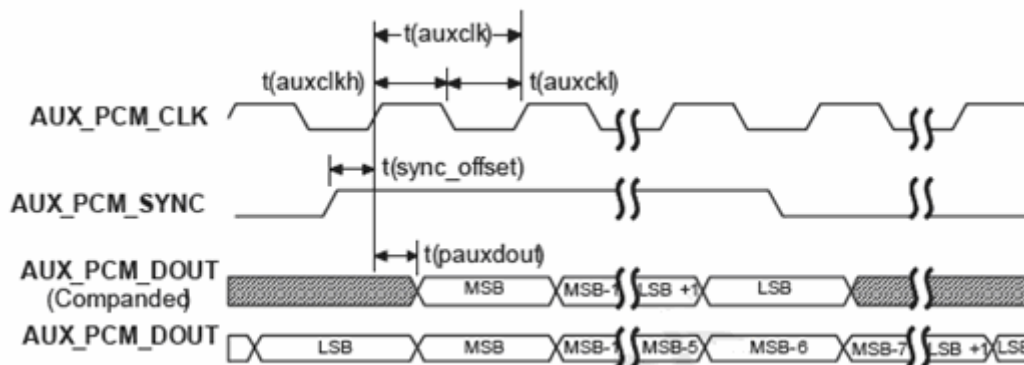


Figure 30: SIM5218E to AUX\_PCM\_CODEC timing

Table 30 : AUX\_CODEC timing parameters

Parameter	Description	Min	Typical	Max	Unit	Note
t(auxsync)	AUX_PCM_SYNC cycle time	–	125	–	μs	
t(auxsynca)	AUX_PCM_SYNC asserted time	–	62.5	–	μs	1
t(auxsyncd)	AUX_PCM_SYNC de-asserted time	–	62.5	–	μs	1
t(auxclk)	AUX_PCM_CLK cycle time	–	7.8	–	μs	2
t(auxclkh)	AUX_PCM_CLK high time	–	3.9	–	μs	3
t(auxclkl)	AUX_PCM_CLK low time	–	3.9	–	μs	3
t(sync_offset)	AUX_PCM_SYNC offset time to AUX_PCM_CLK rising	–	1.95	–	μs	4
t(suauxdin)	AUX_PCM_DIN setup time to AUX_PCM_CLK falling	60	–	–	ns	
t(hauxdin)	AUX_PCM_DIN hold time after AUX_PCM_CLK falling	60	–	–	ns	
t(pauxdout)	Propagation delay from AUX_PCM_CLK AUX_PCM_DOUT valid	–	–	60	ns	

Notes: 1.  $t(\text{auxsync})/2 \pm 10 \text{ ns}$ . 2.  $t(\text{auxclk}) = 1/(128 \text{ kHz})$ . 3.  $t(\text{auxclk})/2 \pm 10 \text{ ns}$ . 4.  $t(\text{auxclk})/4 \pm 10 \text{ ns}$ .

### 3.19.2 Primary PCM

The aux codec port also supports 2.048 MHz PCM data and sync timing for v-law codecs that match the sync timing — this is called the primary PCM interface (or just PCM interface). You can use AT+CPCM command to change the mode you want.

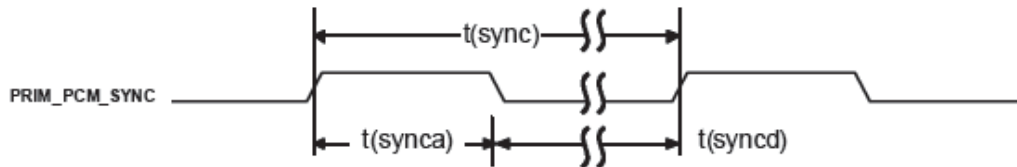


Figure 31: PRIM\_PCM\_SYNC timing

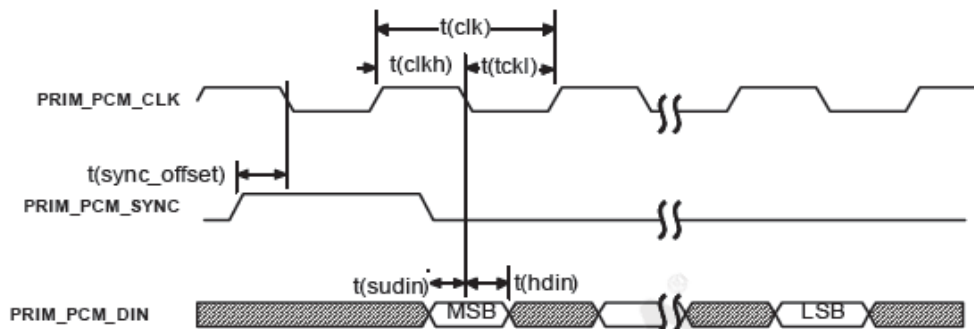


Figure 32: PRIM\_PCM\_CODEC to SIM5218E timing

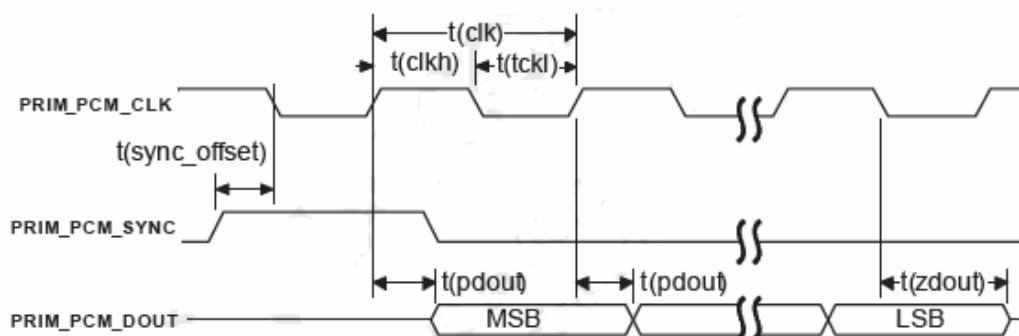


Figure 33: SIM5218E to PRIM\_PCM\_CODEC timing

Table 31 : PIM\_PCM\_CODEC timing parameters

Parameter	Description	Min	Typical	Max	Unit	Note
t(sync)	PCM_SYNC cycle time	–	125	–	μs	

## SIM5218E Hardware Design

t(synca)	PCM_SYNC asserted time	–	–	–	ns	
t(syncd)	PCM_SYNC de-asserted time	–	–	–	μs	
t(clk)	PCM_CLK cycle time	–	–	–	ns	
t(clkh)	PCM_CLK high time	–	–	–	ns	
t(clkl)	PCM_CLK low time	–	–	–	ns	
t(sync_offset)	PCM_SYNC offset time to PCM_CLK falling	–	122	–	ns	1
	PCM_SYNC offset time to PCM_CLK falling	–	–	–	ns	
t(sudin)	PCM_DIN setup time to PCM_CLK falling	60	–	–	ns	
t(hdin)	PCM_DIN hold time after PCM_CLK falling	60	–	–	ns	
t(pdout)	Delay from PCM_CLK rising to PCM_DOUT valid	–	–	60	ns	
t(zdout)	Delay from PCM_CLK falling to PCM_DOUT High-Z	5	–	60	ns	

**Notes:** 1. PCM\_SYNC offset time = t(clk)/4.

## 4 Antenna interface

The RF interface has an impedance of 50Ω. To suit the physical design of individual applications SIM5218E offers two alternatives:

- Recommended approach: antenna connector on the component side of the PCB
- Antenna pad and grounding plane placed on the bottom side.

To minimize the loss on the RF cable, it need be very careful to choose RF cable. We recommend the insertion loss should be meet following requirement:

- GSM900/GSM850<1dB
- DCS1800/PCS1900<1.5dB
- WCDMA 2100<1.5dB
- WCDMA 1900<1.5dB
- WCDMA 900<1dB
- GPS<1dB

### 4.1 Antenna installation

#### 4.1.1 Antenna connector

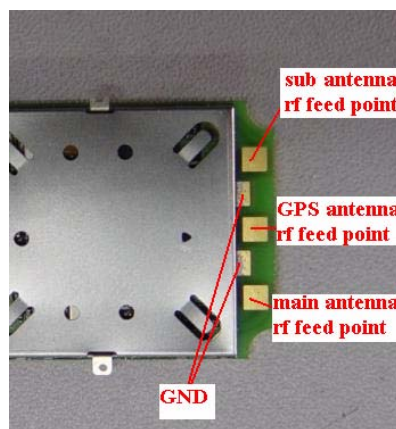
SIM5218E use MURATA's MM9329-2700 RF connector on the module side, we recommend user use MURATA's MXTK88XXXXX as matching connector on the application side. Please refer to appendix for detail info about MURATA's MXTK88XXXXX.



**Figure 34: Antenna Connector**

#### 4.1.2 Antenna pad

The antenna can be soldered to the pad, or attached via contact springs. To help you to ground the antenna, SIM5218E comes with a grounding plane located close to the antenna pad.



**Figure 35: Antenna pad**

SIM5218E material properties:

SIM5218E PCB Material: FR4

Antenna pad: Gold plated pad

## 4.2 Module RF output power

**Table 32: SIM5218E conducted RF output power**

Frequency	Max	Min
GSM850	33dBm ±2db	5dBm±5db
E-GSM900	33dBm ±2db	5dBm±5db
DCS1800	30dBm ±2db	0dBm±5db
PCS1900	30dBm ±2db	0dBm±5db
GSM850(8-PSK)	27dBm ±3db	5dBm±5db
E-GSM900(8-PSK)	27dBm ±3db	5dBm±5db
DCS1800(8-PSK)	26dBm ±3db	0dBm±5db
PCS1900(8-PSK)	26dBm ±3db	0dBm±5db
WCDMA 2100	24dBm+1/-3db	<-50dBm
WCDMA 1900	24dBm+1/-3db	<-50dBm
WCDMA 900	24dBm+1/-3db	<-50dBm

## 4.3 Module RF receive sensitivity

**Table 33: SIM5218E conducted RF receive sensitivity**

Frequency	Receive sensitivity
GSM850	< -106dBm
E-GSM900	< -106dBm
DCS1800	< -106dBm
PCS1900	< -106dBm
WCDMA 2100	< -108dBm
WCDMA 1900	< -108dBm
WCDMA 850	< -106dBm

## 4.4 Module operating frequencies

**Table 34: SIM5218E operating frequencies**

Frequency	Receive	Transmit
GSM850	869 ~ 894MHz	824 ~ 849MHz
E-GSM900	925 ~ 960MHz	880 ~ 915MHz
DCS1800	1805 ~ 1880MHz	1710 ~ 1785MHz
PCS1900	1930 ~ 1990MHz	1850 ~ 1910MHz
WCDMA 2100	2110 ~ 2170MHz	1920 ~ 1980MHz
WCDMA1900	1930 ~ 1990MHz	1850 ~ 1910MHz
WCDMA 900	925 ~ 960MHz	880 ~ 915 MHz



## 5 Electrical, reliability and radio characteristics

### 5.1 Absolute maximum ratings

Absolute maximum rating for power supply and voltage on digital and analog pins of SIM5218E are list in following table:

**Table 35: Absolute maximum ratings**

Parameter	Min	Max	Unit
Peak current of power supply	0	3.0	A
RMS current of power supply (during one TDMA- frame)	0	0.9	A
Voltage at digit pins	-0.3	3.0	V
Voltage at analog pins	-0.3	3.0	V
Voltage at digit/analog pins in POWER DOWN mode	-0.25	0.25	V
Voltage at VBAT	-0.3	4.4	V

### 5.2 Operating temperatures

The operating temperature is listed in following table:

**Table 36: SIM5218E operating temperature**

Parameter	Min	Max	Unit	Note
Operating temperature	-20	70	°C	The module is functional in all the temperature range, and it fully meets the ETSI specifications.
	-30	-80		The module is functional in all the temperature range. Temperatures outside the range -20°C ~+70°C, might slightly deviate from ETSI specifications.
Storage temperature	-40	+85	°C	

*Note: we recommend adding heat sink on module shielding case while SIM5218E work on WCDMA band.*

## 5.3 Power supply ratings

**Table 37: SIM5218E power supply ratings**

Parameter	Description	Conditions	Min	Typ	Max	Unit
VBAT	Supply voltage	Voltage must stay within the min/max values, including voltage drop, ripple, and spikes.	3.4	3.8	4.2	V
	Voltage drop during transmit burst	Normal condition, power control level for Pout max			300	mV
	Voltage ripple	Normal condition, power control level for Pout max @ f<400kHz @ f>400kHz			50 10	mV
I <sub>VBAT</sub>	Average supply current	POWER DOWN mode		35		uA
	Peak supply current (during transmission slot every 4.7ms)	Power control level for Pout max.		2	3	A

## 5.4 Current consumption

The values for current consumption in no suspended status are listed in Table 38. Here, “suspended” mean that SIM5218E connected with USB BUS but don’t transfer data.

**Table 38: SIM5218E current consumption in no suspended status**

GSM Sleep mode (without USB suspend)	
GSM850	Sleep @DRX=2 3.0mA
	Sleep @DRX=5 1.8mA
	Sleep @DRX=9 1.4mA
GSM900	Sleep @DRX=2 3.0mA
	Sleep @DRX=5 1.86mA
	Sleep @DRX=9 1.4mA
DCS1800	Sleep @DRX=2 3.1mA
	Sleep @DRX=5 1.7mA
	Sleep @DRX=9 1.4mA
PCS1900	Sleep @DRX=2 3.1mA
	Sleep @DRX=5 1.7mA
	Sleep @DRX=9 1.4mA
GSM Sleep Mode(with USB suspend)	

## SIM5218E Hardware Design

GSM850	Sleep @DRX=2 4.3mA Sleep @DRX=5 2.8mA Sleep @DRX=9 2.2mA
GSM900	Sleep @DRX=2 4.3mA Sleep @DRX=5 2.7mA Sleep @DRX=9 2.1mA
DCS1800	Sleep @DRX=2 4.4mA Sleep @DRX=5 2.8mA Sleep @DRX=9 2.3mA
PCS1900	Sleep @DRX=2 4.1mA Sleep @DRX=5 2.7mA Sleep @DRX=9 2.2mA
<b>Voice Call</b>	
GSM850	@power level #5 <290mA, Typical 270mA
GSM 900	@power level #5 <280mA, Typical 260mA
DCS1800	@power level #0 <200mA, Typical 180mA
PCS1900	@power level #0 <210mA, Typical 190mA
<b>GPRS Data</b>	
<b>DATA mode, GPRS ( 1 Rx,4 Tx ) CLASS 12</b>	
GSM 850	@power level #5 <590mA, Typical 560mA
GSM 900	@power level #5 <570mA, Typical 550mA
DCS1800	@power level #0 <360mA, Typical 330mA
PCS1900	@power level #0 <370mA, Typical 350mA
<b>DATA mode, GPRS ( 3Rx, 2 Tx ) CLASS 12</b>	
GSM 850	@power level #5 <460mA, Typical 430mA
GSM 900	@power level #5 <440mA, Typical 410mA
DCS1800	@power level #0 <260mA, Typical 230mA
PCS1900	@power level #0 <270mA, Typical 240mA
<b>EDGE Data</b>	
<b>DATA mode, EDGE( 1 Rx,4 Tx ) CLASS 12</b>	
GSM 850	@power level #5 <420mA, Typical 400mA
GSM 900	@power level #5 <410mA, Typical 400mA
DCS1800	@power level #0 <310mA, Typical 280mA
PCS1900	@power level #0 <310mA, Typical 280mA
<b>DATA mode, EDGE( 3Rx, 2 Tx ) CLASS 12</b>	
GSM 850	@power level #5 <350mA, Typical 320mA
GSM 900	@power level #5 <350mA, Typical 320mA
DCS1800	@power level #0 <230mA, Typical 200mA
PCS1900	@power level #0 <230mA, Typical 200mA
<b>UMTS Sleep Mode (without USB suspend)</b>	
WCDMA 2100	Sleep @DRX=9 1.2mA Sleep @DRX=8 2.1mA Sleep @DRX=6 4.2mA
WCDMA 1900	Sleep @DRX=9 1.2mA Sleep @DRX=8 2.1mA Sleep @DRX=6 4.4mA
WCDMA 900	Sleep @DRX=9 1.2mA Sleep @DRX=8 2.0mA Sleep @DRX=6 4.4mA
<b>UMTS Sleep Mode (with USB suspend)</b>	

**SIM5218E Hardware Design**

WCDMA 2100	Sleep @DRX=9 1.9mA Sleep @DRX=8 2.6mA Sleep @DRX=6 4.6mA
WCDMA 1900	Sleep @DRX=9 1.9mA Sleep @DRX=8 2.6mA Sleep @DRX=6 4.7mA
WCDMA 900	Sleep @DRX=9 1.9mA Sleep @DRX=8 2.7mA Sleep @DRX=6 4.8mA
<b>UMTS Talk</b>	
WCDMA 2100	@Power 23dBm Typical 500mA @Power 21dBm Typical 450mA @Power 10dBm Typical 260mA
WCDMA 1900	@Power 23dBm Typical 540mA @Power 21dBm Typical 480mA @Power 10dBm Typical 280mA
WCDMA 900	@Power 23dBm Typical 500mA @Power 21dBm Typical 450mA @Power 10dBm Typical 300mA
<b>HSDPA Data</b>	
WCDMA 2100	@Power 23dBm CQI=22 Typical 560mA @Power 21dBm CQI=5 Typical 480mA @Power -5dBm CQI=22 Typical 250mA
WCDMA 1900	@Power 23dBm CQI=22 Typical 580mA @Power 21dBm CQI=5 Typical 500mA @Power -5dBm CQI=22 Typical 250mA
WCDMA 900	@Power 23dBm CQI=22 Typical 570mA @Power 21dBm CQI=5 Typical 500mA @Power -5dBm CQI=22 Typical 250mA

## 5.5 Electro-Static discharge

Normally the module is designed inside customer terminal, so about Electro-Static Discharge (ESD) should be considered base on the requirement of terminal product. But for the module is protected against Electro-Static Discharge in conveyance and customer production, and some second level ESD protect design inside module.

The remaining ports are not special ESD protection in module, and therefore, they are only protected according to the Human Body Model requirements.

**Table 39: The ESD endure statue measured table (Temperature: 25°C, Humidity:45% )**

Part	Contact discharge	Air discharge
VBAT,GND	±2KV	±4KV
UART,USB	±2KV	±4KV
Antenna port	±2KV	±4KV
Other port	±1KV	

So the user should adopt some measure to protect module against ESD

- 1 .Add ESD components to protect SIM5218E in the final product
2. Connect directly the module to ground through four mounting fix pads
3. Bare the copper and connect directly module shielding case through some conduct material

## 6 Mechanics

This chapter describes the mechanical dimensions of SIM5218E.

### 6.1 Mechanical dimensions of SIM5218E

Following are SIM5218E top view, side view and bottom view. These show you Mechanical dimensions of SIM5218E.

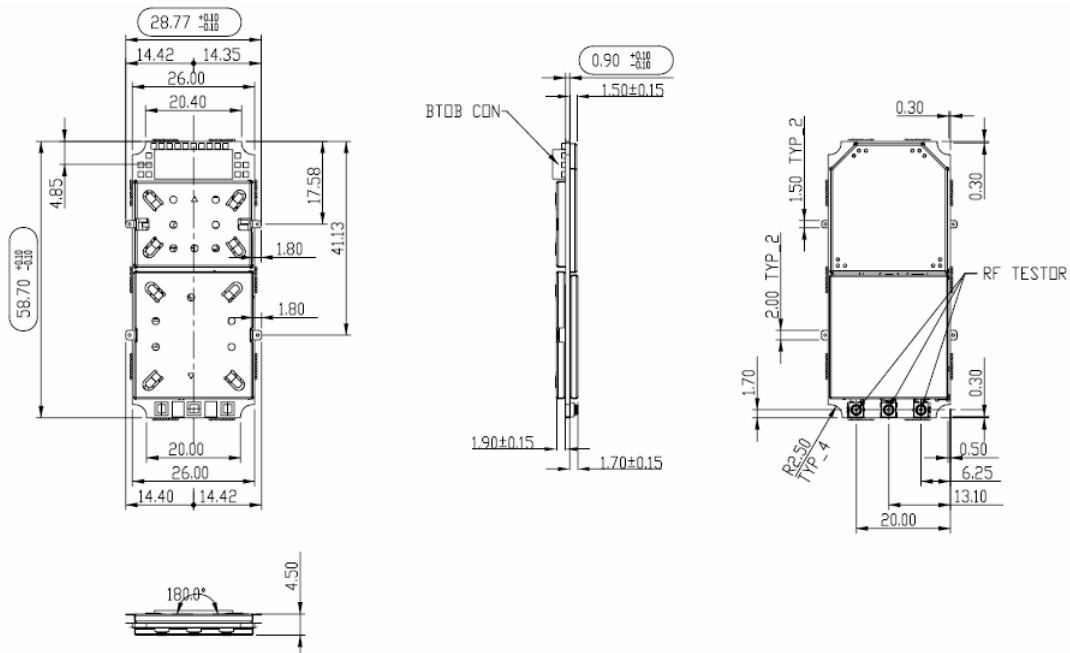


Figure 36: Mechanical dimensions of SIM5218E (Unit: mm)

### 6.2 Mounting SIM5218E onto the application platform

Use the connector AXK870145WG and four mounting pads fix the SIM5218E onto customer platform.

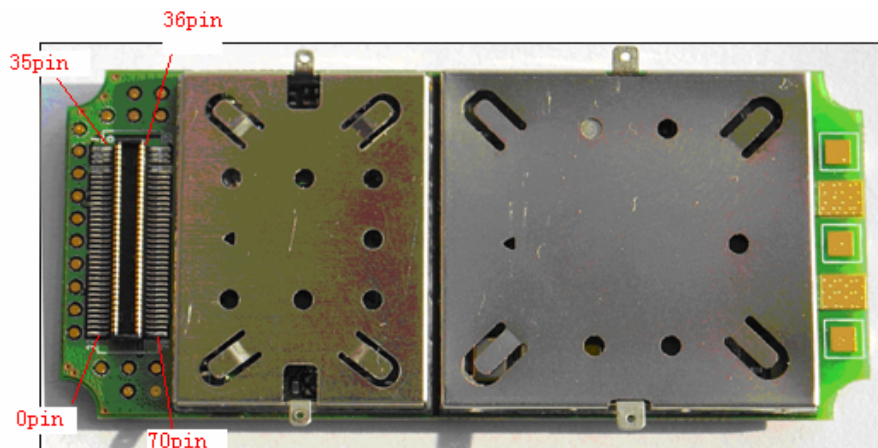


Figure 17: PIN sequence of SIM5218E

### 6.3 Board-to-board connector

We recommend user adopt NAIS AXK770347G/AXK770247G/AXK770147G as the Board to board connector in their own PCB to connect with SIM5218E. These high density SMT connectors are designed for parallel PCB-to-PCB applications. They are ideal for use in VCRs, notebook PCs, cordless telephones, mobile phones, audio/visual and other telecommunications equipment where reduced size and weight are important. The height of AXK770347G AXK770247G AXK770147G is 2.5mm 2.0mm 1.5mm; please select suit one base on your PCB height design,we use AXK770247G in our EVB Board.

Following is parameter of AXK770347WG/AXK770247G/AXK770147G and AXK870145WG, for more details, you can login <http://www.NAIS-E.com> for more information.

#### Mechanical dimensions of the NAIS 70pin connector

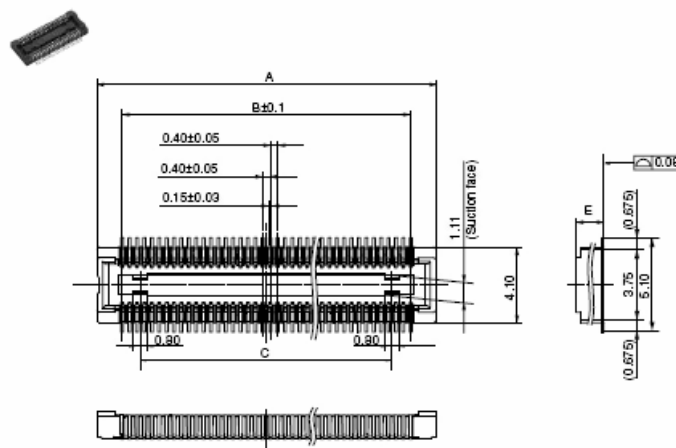


Figure 38: NAIS AXK770347WG board-to-board connector pin side

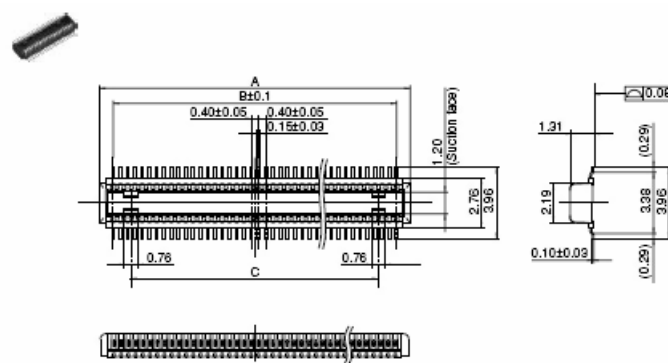


Figure 39: NAIS AXK870145WG board-to-board connector pin side

**NOTE:** The connector NAIS AXK870145WG is used in socket side (SIM5218E module) and NAIS AXK770347G/AXK770247G/AXK770147G is used pin side (user side).

## 6.4 RF connector and adapter cable

The RF connector in module side is Murata Company RF Connectors MM9329-2700, it makes a pair with Murata Company RF cable MXTK88TK2000. It has high performance with wide frequency range, surface mountable and reflow solderable. Following is parameter. Certainly you can visit <http://www.murata.com/> for more information.

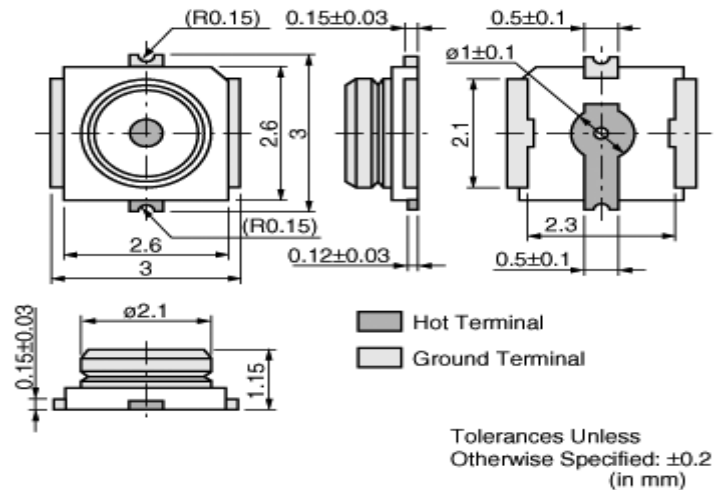


Figure 40: RF connector MM9329-2700

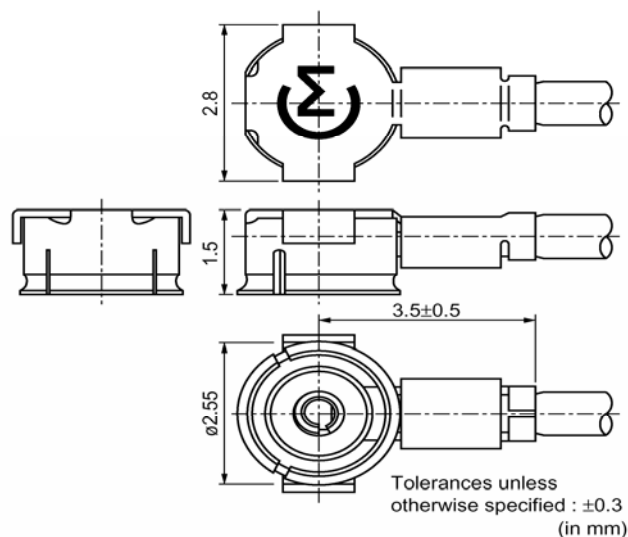


Figure 41: RF adapter cable MXTK88TK2000

For more information about the connector, please visit <http://www.murata.com/>



## 6.5 View of the SIM5218E



**Figure 42: Top and Bottom View of SIM5218E**

## 6.6 PIN assignment of board-to-board connector of SIM5218E

**Table 40 : Connection diagrams**

Pin No	Define	Measure without usage	Pin No	Define	Measure without usage
1	VBAT	VBAT	70	VBAT	VBAT
2	VBAT	VBAT	69	VBAT	VBAT
3	VBAT	VBAT	68	VBAT	VBAT
4	GND	GND	67	GND	GND
5	GND	GND	66	GND	GND
6	UART_TXD	NC	65	GPIO0	NC
7	UART_CTS	NC	64	UART_RXD	NC(See Note)
8	UART_DCD	NC	63	UART_RTS	NC
9	USB_VBUS	NC	62	UART_DTR	NC
10	GPIO1	NC	61	UART_RI	NC
11	VRTC	NC	60	USB_D_P	NC
12	USIM_CLK	NC	59	USB_D_M	NC
13	USIM_RESET	NC	58	GND	GND
14	CAM_D0	NC	57	V_USIM	NC
15	CAM_D2	NC	56	USIM_DATA	NC(See Note)
16	CAM_D4	NC	55	CAM_D1	NC
17	CAM_D6	NC	54	CAM_D3	NC
18	CAM_D8	NC	53	CAM_D5	NC
19	CAM_HSYNC	NC	52	CAM_D7	NC
20	GND	GND	51	CAM_D9	NC

## SIM5218E Hardware Design

21	CAM_CLK	NC	50	CAM_VSYNC	NC
22	CAM_STANDBY	NC	49	CAM_PCLK	NC
23	SPK_P	NC	48	CAM_RESET	NC
24	SPK_N	NC	47	IIC_SDA	NC(See Note)
25	EAR_P	NC	46	IIC_SCL	NC(See Note)
26	EAR_N	NC	45	POWER_ON	NC
27	HPR	NC	44	MIC_N	0.1u cap to ground
28	HPL	NC	43	MIC_P	0.1u cap to ground
29	RESET	NC	42	HP_MICP	NC
30	GPIO2	NC	41	HKADC	NC
31	GPIO3	NC	40	VREG_AUX	NC
32	GPIO4	NC	39	SD_DATA3	NC
33	GPIO5	NC	38	SD_DATA2	NC
34	SD_CLK	NC	37	SD_DATA1	NC
35	SD_CMD	NC	36	SD_DATA0	NC

**Note:** UART\_RXD has been pulled down with a 15kR resistor to ground in module.

USIM\_DATA has been pulled up with a 22kR resistor to V\_USIM in module.

IIC\_SDA and IIC\_SCL have been pulled up with two 2.2kR resistors to 2.6V in module.

So there is no need to pull them up or down in your application circuit.

**Contact us:**

**Shanghai SIMCom Wireless Solutions Ltd.**

Add: SIM Technology Building, No.633, Jinzhong Road, Changning Disdriect,  
Shanghai P.R. China 200335

Tel: +86 21 3235 3300

Fax: +86 21 3235 3301

URL: [www.sim.com/wm](http://www.sim.com/wm)