



4-BUTTON RGB CONTROLLER

OF-CONTRGB

OF-CONTRGB controller is designed for LED lighting dimmer. It can control modules, LED ribbons, LED bars, High Power LED modules and other LED lighting fixtures, which form the complete LED lighting dimmer system with 12V DC power supply.

1. Features

Working temperature: -25~60℃

Power: DC12V

Measurement: 104*65*24mm

Connection: Common Anode

Rated load current: 10A

Max load current: 15A

Output: Three CMOS output.

Control method: four buttons, wireless control.

Buttons (from top to bottom): MODE, UP, DOWN, ON/OFF

MODE button: To press one time to achieve one mode. All together 11 modes.

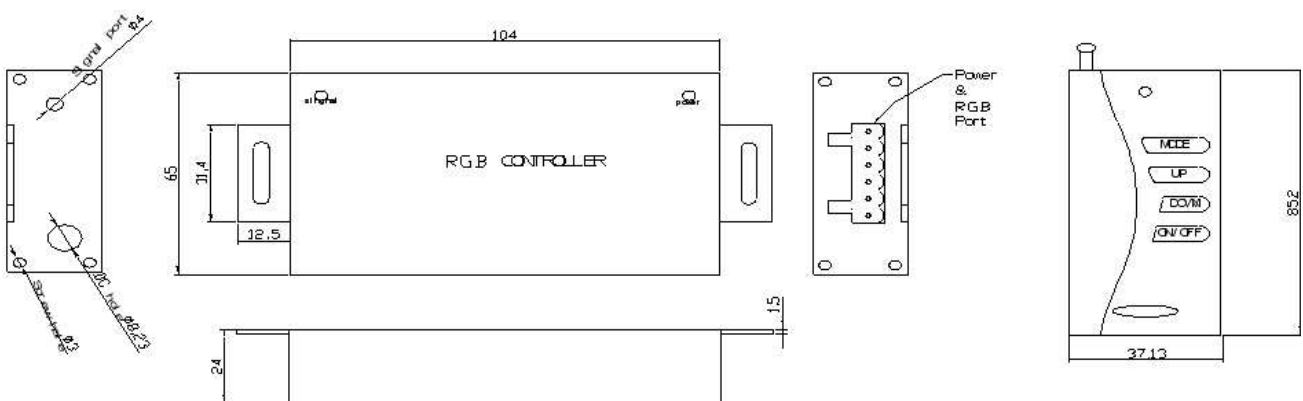
UP button: To speed up color changing. To press one time, the colors change will be more fast. To press steadily, the changing will become quicker until to the quickest. The green signal will light when press unless the changing rates reach to the highest.

DOWN button: To slow down the color change. Same as the UP button method.

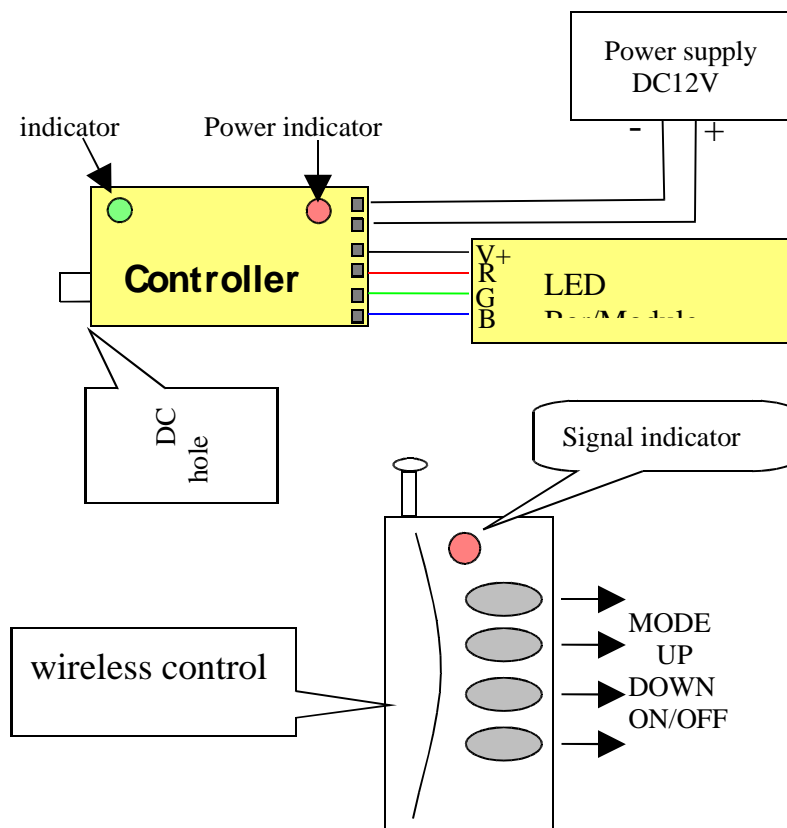
ON/OFF button: To press one time, the controller will work or shut off.

Mode: 1. Static red, 2. Static green, 3. Static red/green mix, 4. Static blue, 5. Static red/blue mix, 6. Static green/blue mix, 7. Static red/green/blue mix, 8. Jumpy cycle changing, 9. disorder flash changing, 10. gradual cycle changing, 11. disorder gradual changing.

Technical drawing



2. Connection sketch map:



3. Note

- 1) Make sure the products working voltage must be 12V DC or it will be damaged.
- 2) The wireless control should be powered by 23A, 12V battery.
- 3) Please connect according to the above sketch map. The connection port can be pulled out.
- 4) When the power is on, the red indicator will light, the green indicator do not light. The controller is waiting for work. To press the ON/OFF button, it will began to work. The green indicator will flash when press any button unless it is out of work.
- 5) UP and DOWN button: It can work only when the controller is in color changing mode.
- 6) Our packing is one wireless control matched one controller. Please do not use other wireless control or it will not work.