



SMD LIGHT RIBBON

OF-LRS5060RGB RGB



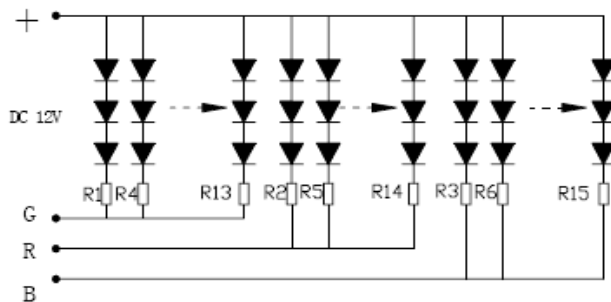
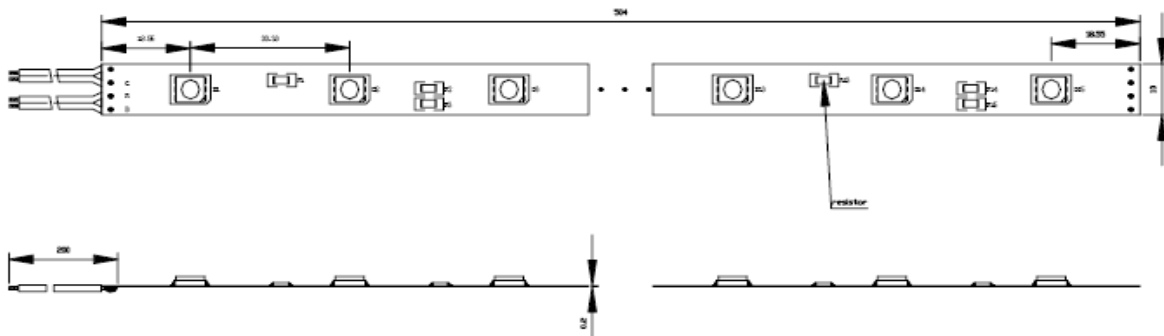
ATTENTION
OBSERVE PRECAUTIONS
FOR HANDLING
ELECTROSTATIC
DISCHARGE
SENSITIVE
DEVICES



Features

- 504MMX10MM SMD LIGHT RIBBON (15-LED) .
- PRINTED CIRCUIT BOARD THICKNESS : 0.2MM
- WORKING VOLTAGE : 12V DC.
- WORKING CURRENT: 300MA.
- LED VIEW ANGLE(2 θ 1/2):100°.
- PACKAGE: 10PCS / REEL.

Package Dimensions :



Notes:

1. All dimension units are millimeters.
2. All dimension tolerance is ± 1 mm unless otherwise noted.



SMD LIGHT RIBBON

Absolute Maximum Rating at TA=25°C

Parameter	Symbol	Absolute Maximum Rating	Unit
Forward Current	IF	300	mA
Power Dissipation	PD	3,6	W
Electrostatic discharge	ESD	400	V
Operating Temperature	Tstg	-25 ~ +60	°C
Storage Temperature	Tstg	- 40 ~ + 80	°C

Electrical / Optical Characteristics at TA=25°C

Parameter	Symbol	Condition	Min	Typ	Unit
Forward Voltage DC	VF	IF=300mA		12	V
Dominant Wavelength	λD	(R) IF=100mA	621	624	nm
		(G) IF=100mA	523	527	nm
		(B) IF=100mA	468	472	nm
Luminous flux	ϕV	(R)IF=100mA		15	lm
		(G)IF=100mA		30	lm
		(B)IF=100mA		11	lm
Recommend Forward Current	IF(rec)	IF=200mA		300	mA

Notes:Tolerance of measurement of luminous intensity±15%.

Package means





SMD LIGHT RIBBON

APPLICATIONS

- EDGE-LIGHTING OF TRANSPARENT OR DIFFUSED MATERIALS.
- PATH&CONTOUR MARKING.
- ILLUMINATED SIGNS.
- MOOD LIGHTING .