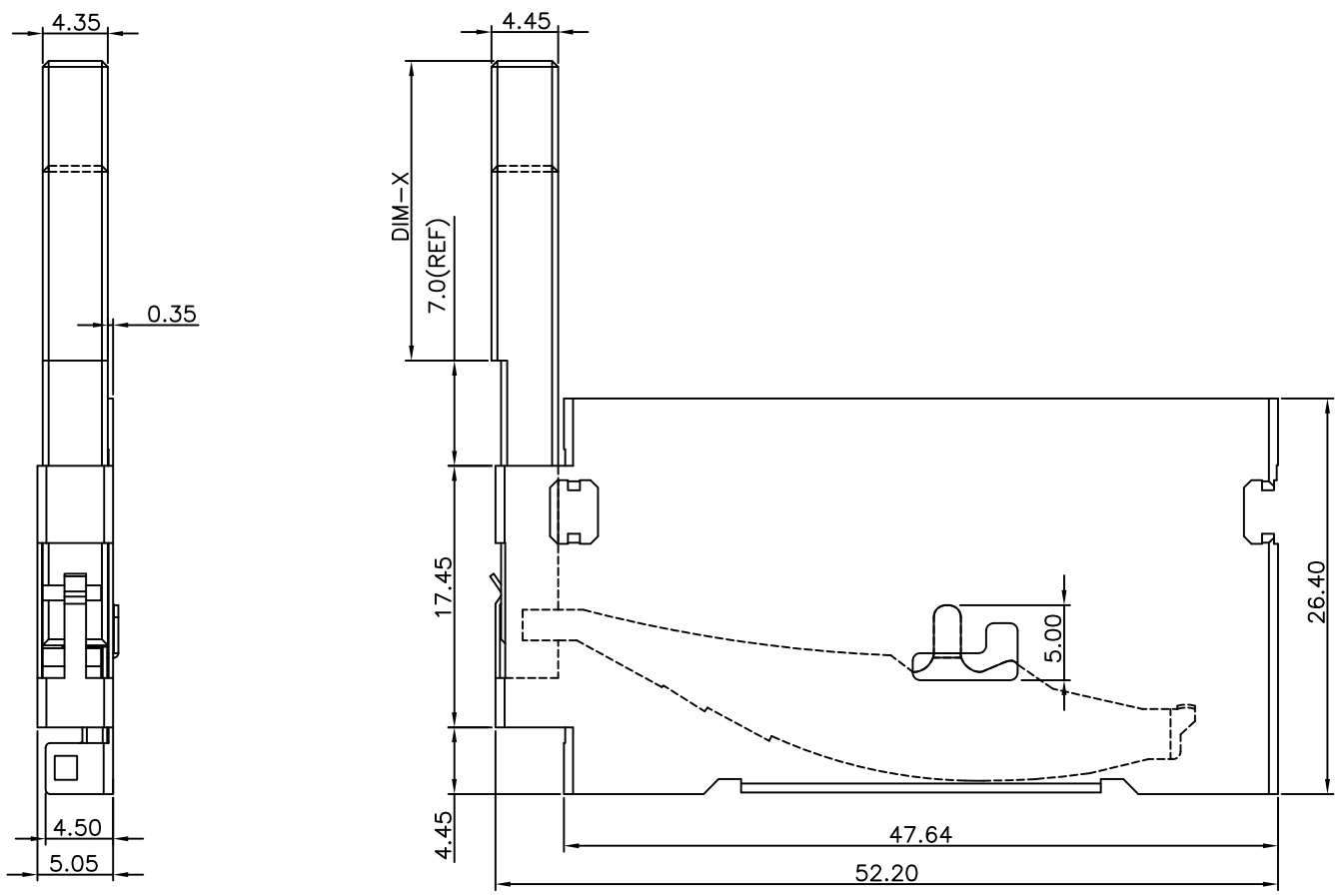
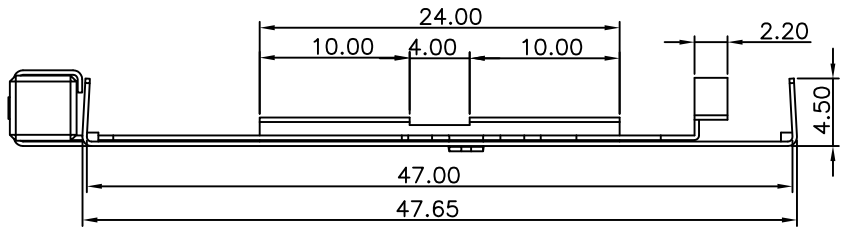


1 2 3 4 5 6 7 8 9 10

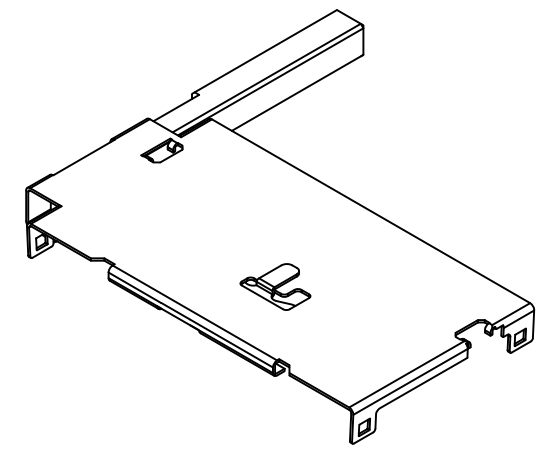
G  
F  
E  
D  
C  
B  
A



MATERIAL  
 Push Button: Thermal Plastic  
 UL94V-0 Color:Black  
 Cover: Stainless Steel  
 Pivot Shell: Stainless Steel  
 Rated Voltage: 35V/AC Max

101C-E S X 0-R  
 1 2 3 4

1.Type 3.Ejector Length  
 E:Ejector A:15mm  
 B:20mm  
 2.Ejector Type C:22mm  
 S:Straight  
 4.ROHS



UNLESS OTHERWISE SPECIFIED TOLERANCE		 ATTEND TECHNOLOGY INC. www.attend.com.tw	
ANG.	±5°		
.0	±0.25		
.00	±0.20		
SCALE: AS SHOWN	UNIT: mm	DRAWN NAME: CF Socket Ejector w/Shell PRODUCT NO. 101C-ESX0-R FILE NAME: 101C-ESX0-R	
DRAWN Willis	2007/2/2		
CHECKED	/ /		
APPROVED	/ /		
REV.	DESCRIPTION	DATE	SIZE A4 REV.

1 2 3 4 5 6 7 8 9 10