



MC34063AB - MC34063AC MC34063EB - MC34063EC

DC/DC converter control circuits

Features

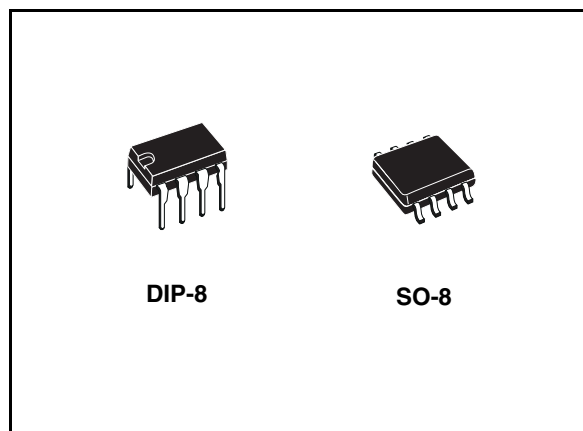
- Output switch current in excess of 1.5 A
- 2 % reference accuracy
- Low quiescent current: 2.5 mA (typ.)
- Operating from 3 V to 40 V
- Frequency operation to 100 kHz
- Active current limiting

Description

The MC34063A/E series is a monolithic control circuit delivering the main functions for DC/DC voltage converting.

The device contains an internal temperature compensated reference, comparator, duty cycle controlled oscillator with an active current limit circuit, driver and high current output switch. Output voltage is adjustable through two external resistors with a 2 % reference accuracy.

Employing a minimum number of external components the MC34063A/E devices series is



designed for step-down, step-up and voltage-inverting applications.

Table 1. Device summary

| Order codes | |
|---------------------------|---------------|
| DIP-8 | SO-8 |
| MC34063ABN ⁽¹⁾ | MC34063ABD-TR |
| MC34063ACN ⁽¹⁾ | MC34063ACD-TR |
| MC34063EBN | MC34063EBD-TR |
| MC34063ECN | MC34063ECD-TR |

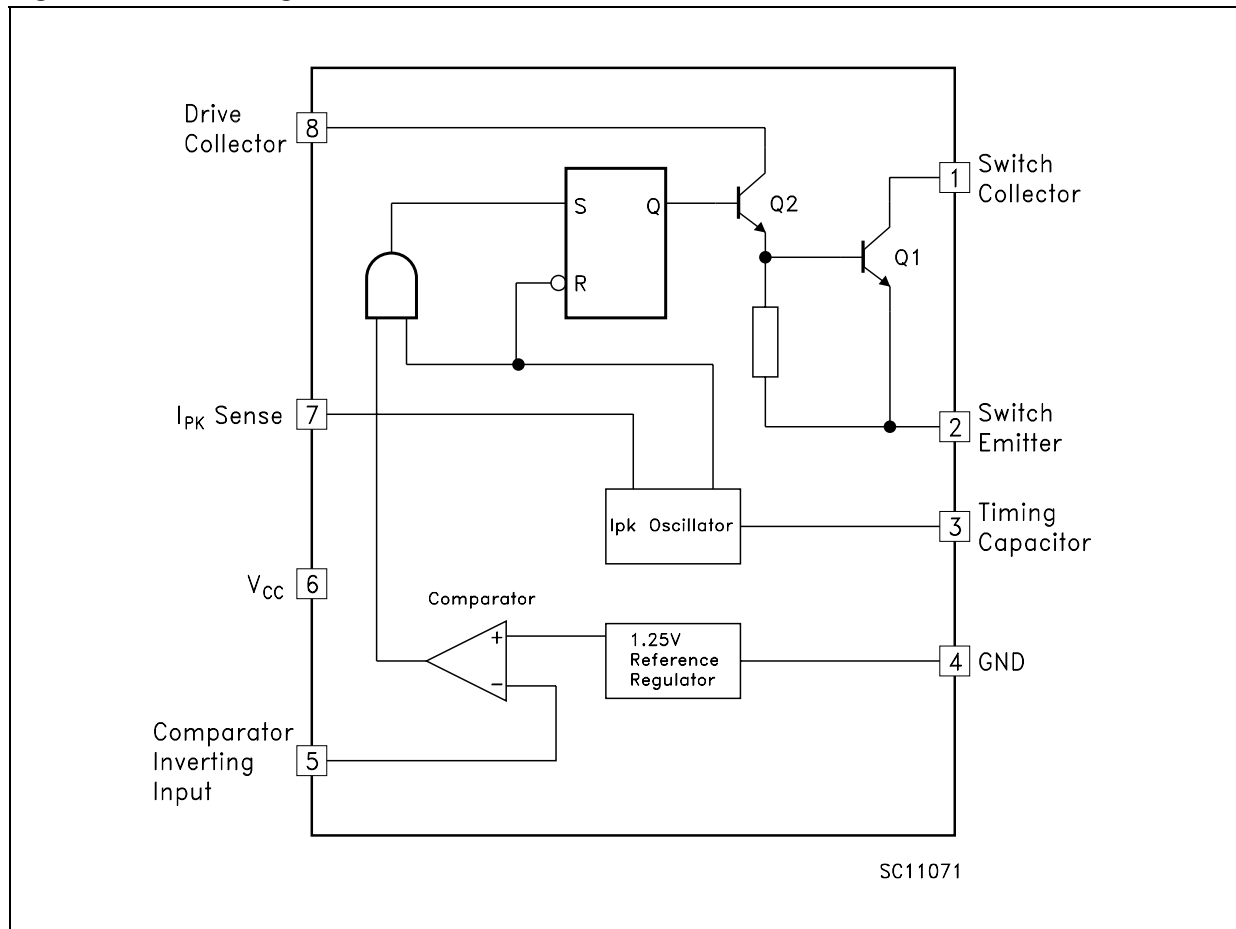
1. The "A" version is not recommended for new designs.

Contents

| | | |
|---|---|----|
| 1 | Diagram | 3 |
| 2 | Pin configuration | 4 |
| 3 | Maximum ratings | 5 |
| 4 | Electrical characteristics | 6 |
| 5 | Typical performance characteristics | 8 |
| 6 | Typical application circuit | 10 |
| 7 | Package mechanical data | 18 |
| 8 | Revision history | 22 |

1 Diagram

Figure 1. Block diagram



2 Pin configuration

Figure 2. Pin connections

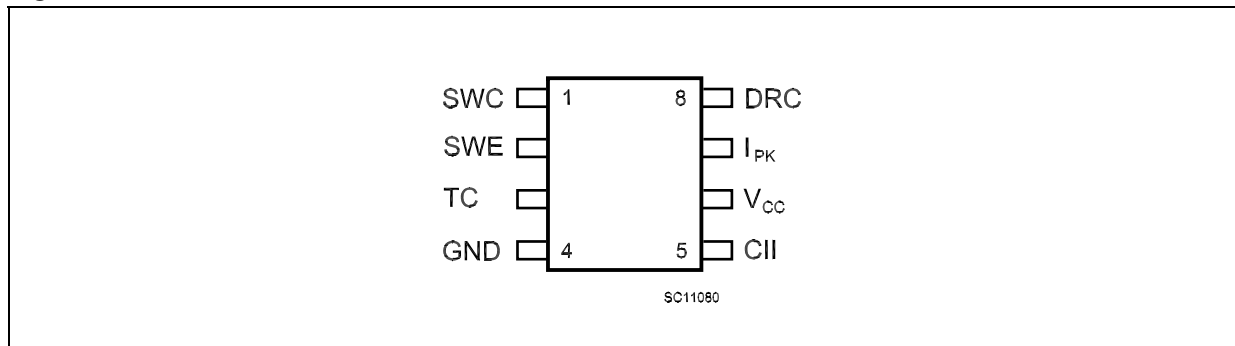


Table 2. Pin description

| Pin n° | Symbol | Name and function |
|--------|-----------------|----------------------------|
| 1 | SWC | Switch collector |
| 2 | SWE | Switch emitter |
| 3 | TC | Timing capacitor |
| 4 | GND | Ground |
| 5 | CII | Comparator inverting input |
| 6 | V _{CC} | Voltage supply |
| 7 | I _{PK} | I _{PK} sense |
| 8 | DRC | Voltage driver collector |

3 Maximum ratings

Table 3. Absolute maximum ratings

| Symbol | Parameter | | Value | Unit |
|-----------|--|----------------------|------------|------------|
| V_{CC} | Power supply voltage | | 50 | V |
| V_{IR} | Comparator input voltage range | | -0.3 to 40 | V |
| V_{SWC} | Switch collector voltage | | 40 | V |
| V_{SWE} | Switch emitter voltage ($V_{SWC} = 40V$) | | 40 | V |
| V_{CE} | Switch collector to emitter voltage | | 40 | V |
| V_{DC} | Driver collector voltage | | 40 | V |
| I_{DC} | Driver collector current | | 100 | mA |
| I_{SW} | Switch current | | 1.5 | A |
| P_{TOT} | Power dissipation at $T_A = 25^\circ C$ | for DIP-8 | 1.25 | W |
| | | for SO-8 | 0.625 | |
| T_J | Operating junction temperature | | 150 | $^\circ C$ |
| T_{STG} | Storage temperature range | | -40 to 150 | $^\circ C$ |
| T_{OP} | Operating ambient temperature range | for AC and EC series | 0 to 70 | $^\circ C$ |
| | | for AB series | -40 to 85 | |
| | | for EB series | -40 to 125 | |

Note: Absolute maximum ratings are those values beyond which damage to the device may occur. Functional operation under these condition is not implied.

Table 4. Thermal data

| Symbol | Parameter | DIP-8 | SO-8 | Unit |
|------------|--|-------|------|--------------|
| R_{thJA} | Thermal resistance junction-ambient ⁽¹⁾ | 100 | 160 | $^\circ C/W$ |
| R_{thJC} | Thermal resistance junction-case | 42 | 20 | $^\circ C/W$ |

1. This value depends from thermal design of PCB on which the device is mounted.

4 Electrical characteristics

(Refer to the test circuits, $V_{CC} = 5\text{ V}$, $T_A = T_{LOW}$ to T_{HIGH} , unless otherwise specified, see [Note 2](#))

Table 5. Oscillator

| Symbol | Parameter | Test conditions | Min. | Typ. | Max. | Unit |
|----------------------|-----------------------------------|--|------|------|------|---------------|
| f_{OSC} | Frequency | $V_{PIN5} = 0\text{ V}$, $C_T = 1\text{ nF}$, $T_A = 25^\circ\text{C}$ | 24 | 33 | 42 | kHz |
| I_{CHG} | Charge current | $V_{CC} = 5$ to 40 V , $T_A = 25^\circ\text{C}$ | 24 | 33 | 42 | μA |
| I_{DISCHG} | Discharge current | $V_{CC} = 5$ to 40 V , $T_A = 25^\circ\text{C}$ | 140 | 200 | 260 | μA |
| I_{DISCHG}/I_{CHG} | Discharge to charge current ratio | $PIN\ 7 = V_{CC}$, $T_A = 25^\circ\text{C}$ | 5.2 | 6.2 | 7.5 | μA |
| $V_{IPK(sense)}$ | Current limit sense voltage | $I_{CHG} = I_{DISCHG}$, $T_A = 25^\circ\text{C}$ | 250 | 300 | 350 | mV |

Table 6. Output switch

| Symbol | Parameter | Test conditions | Min. | Typ. | Max. | Unit |
|---------------|---|---|------|------|------|---------------|
| $V_{CE(sat)}$ | Saturation voltage, darlington connection | $I_{SW} = 1\text{ A}$, $PIN\ 7, 8$ connected | | 1 | 1.3 | V |
| $V_{CE(sat)}$ | Saturation voltage | $I_{SW} = 1\text{ A}$, $R_{PIN8} = 82\ \Omega$ to V_{CC} Forced $\beta \sim 20$ | | 0.45 | 0.7 | V |
| h_{FE} | DC current gain | $I_{SW} = 1\text{ A}$, $V_{CE} = 5\text{ V}$, $T_A = 25^\circ\text{C}$ | 50 | 120 | | |
| $I_{C(off)}$ | Collector off-state current | $V_{CE} = 40\text{ V}$ | | 0.01 | 100 | μA |

Table 7. Comparator

| Symbol | Parameter | Test conditions | Min. | Typ. | Max. | Unit |
|--------------|-----------------------------------|-------------------------------|-------|------|-------|------|
| V_{TH} | Threshold voltage | $T_A = 25^\circ\text{C}$ | 1.225 | 1.25 | 1.275 | V |
| | | $T_A = T_{LOW}$ to T_{HIGH} | 1.21 | | 1.29 | |
| Reg_{line} | Threshold voltage line regulation | $V_{CC} = 3$ to 40 V | | 1 | 5 | mV |
| I_{IB} | Input bias current | $V_{IN} = 0\text{ V}$ | | -5 | -400 | nA |

Table 8. Total device

| Symbol | Parameter | Test conditions | Min. | Typ. | Max. | Unit | |
|-----------------------|---------------------------|--|--------------|------|------|------|----|
| I _{CC} | Supply current | V _{CC} = 5 to 40 V C _T = 1 nF PIN 7 = V _{CC} V _{PIN5} > V _{TH} PIN 2 = GND Remaining pins open | for MC34063A | | 2.5 | 4 | mA |
| | | | for MC34063E | | 1.5 | 4 | |
| V _{START-UP} | Start-up voltage (Note 4) | T _A = 25°C C _T = 1 μF, PIN 5 = 0 | for MC34063A | | 2.1 | | V |
| | | | for MC34063E | | 1.5 | | |

- Note:
- 1 Maximum package power dissipation limit must be observed.
 - 2 T_{LOW} = 0 °C, T_{HIGH} = 70 °C (AC and EC series); T_{LOW} = -40 °C, T_{HIGH} = 85 °C (AB series); T_{LOW} = -40 °C, T_{HIGH} = 125 °C (EB series).
 - 3 If darlington configuration is not used, care must be taken to avoid deep saturation of output switch. The resulting switch-off time may be adversely affected. In a darlington configuration the following output driver condition is suggested:
Forced β of output current switch = I_{COUPTUT}/I_{CDRIVER} - 1 mA^(a) ≥ 10
 - 4 Start-up voltage is the minimum power supply voltage at which the internal oscillator begins to work.

a. Current less due to a built in 1 kΩ anti leakage resistor.

5 Typical performance characteristics

Figure 3. Emitter follower configuration output saturation voltage vs emitter current

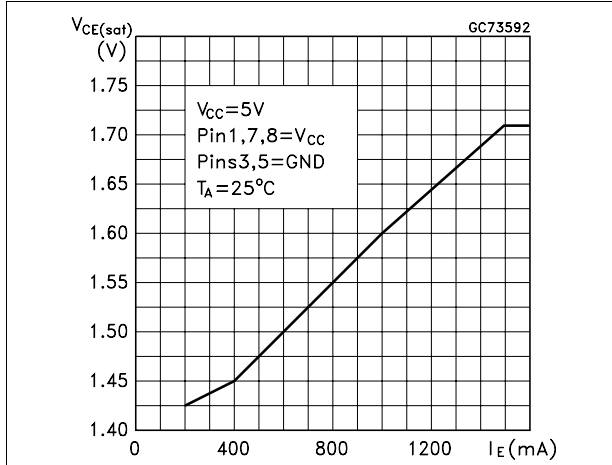


Figure 4. Output switch ON-OFF time vs oscillator timing capacitor

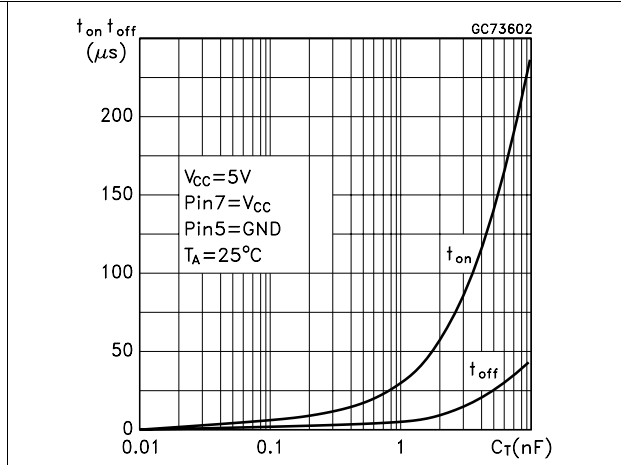


Figure 5. Common emitter configuration output switch saturation voltage vs collector current

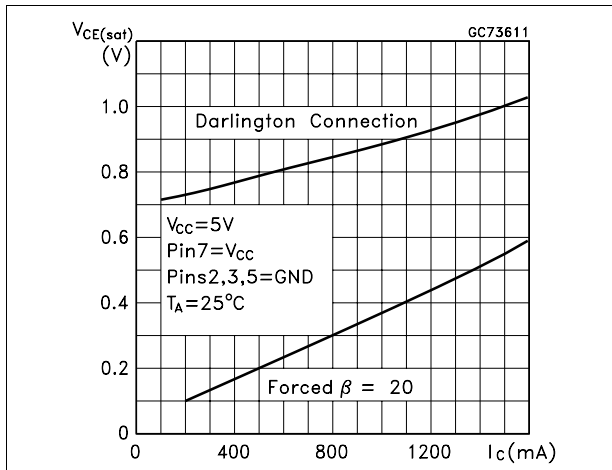


Figure 6. Darlington configuration collector emitter saturation voltage (V_{CEsat}) vs temperature

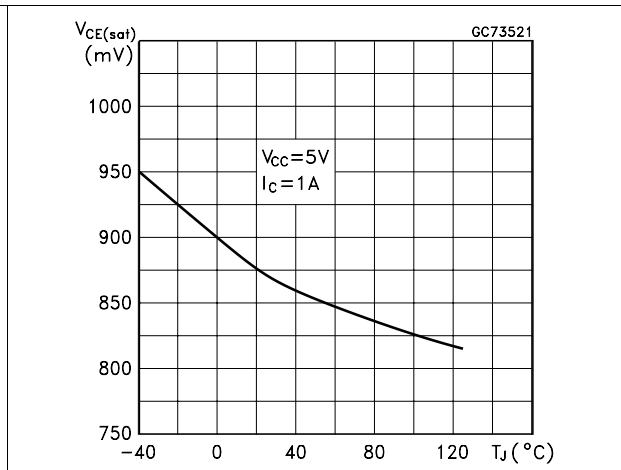


Figure 7. Power collector emitter saturation voltage (V_{CEsat}) vs temperature

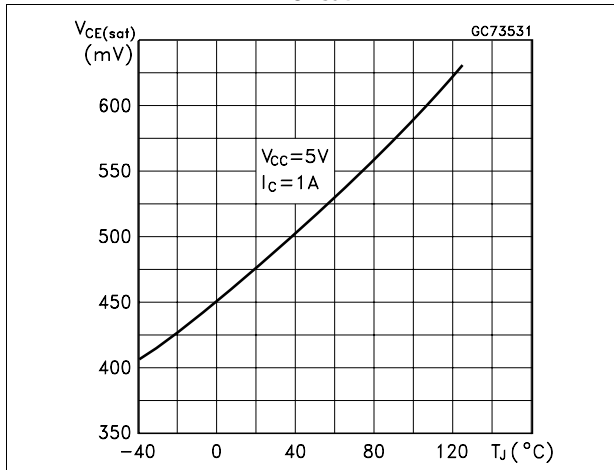


Figure 8. Current limit sense voltage (V_{IPK}) vs temperature

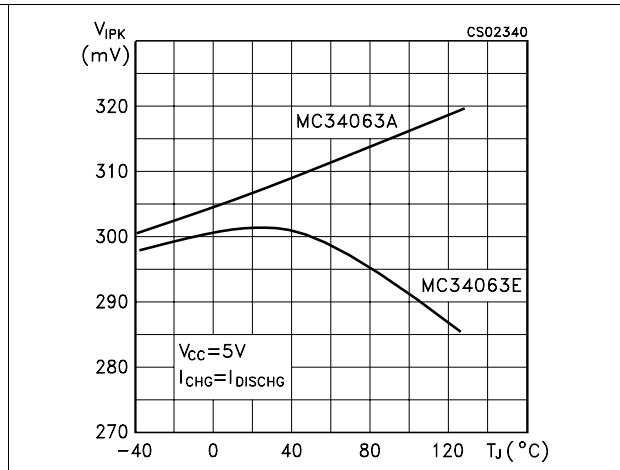


Figure 9. Reference voltage vs temperature

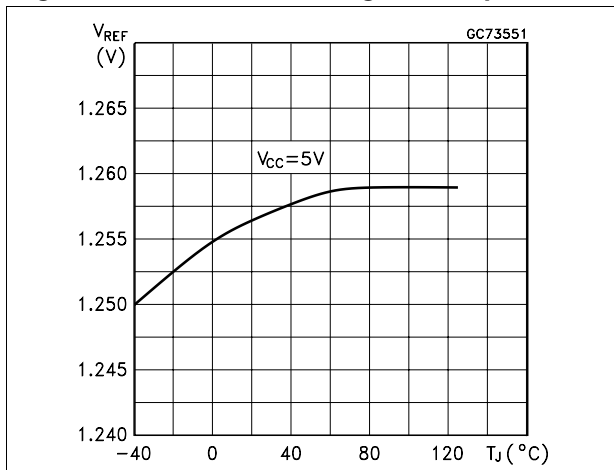


Figure 10. Bias current vs temperature

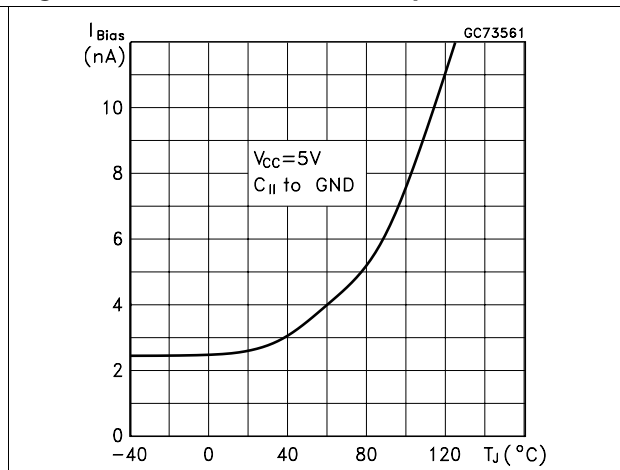


Figure 11. Supply current vs temperature

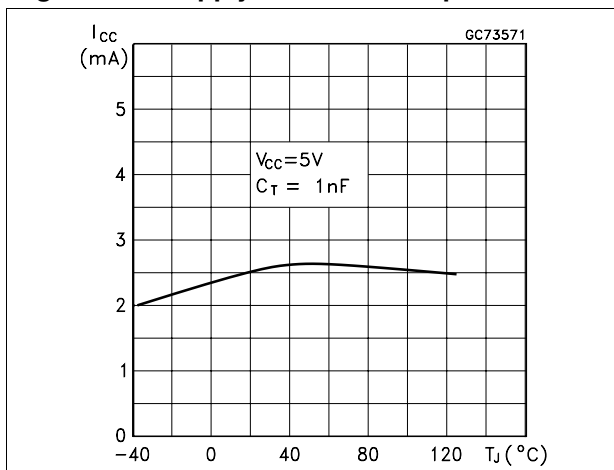
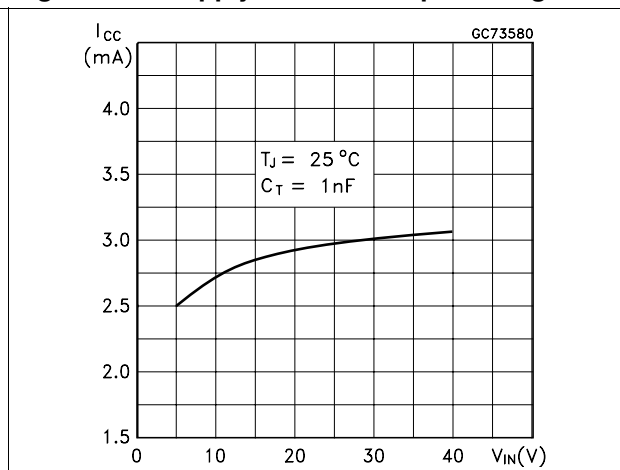


Figure 12. Supply current vs input voltage



6 Typical application circuit

Figure 13. Step-up converter

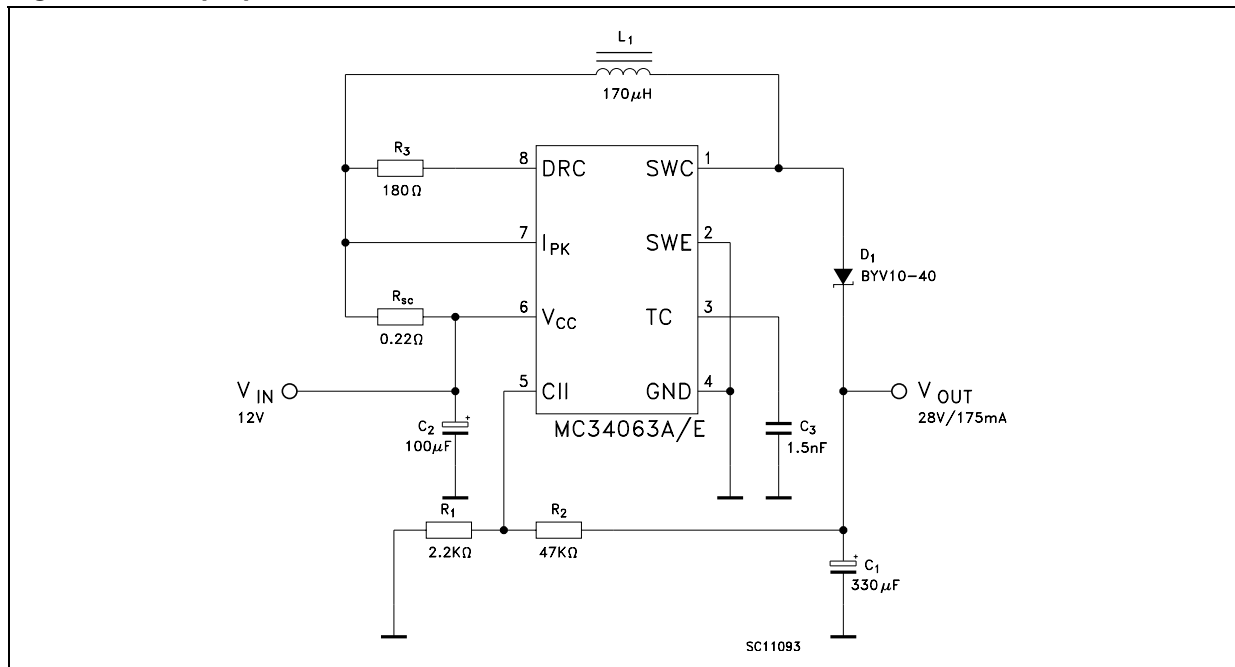


Figure 14. Printed evaluation board

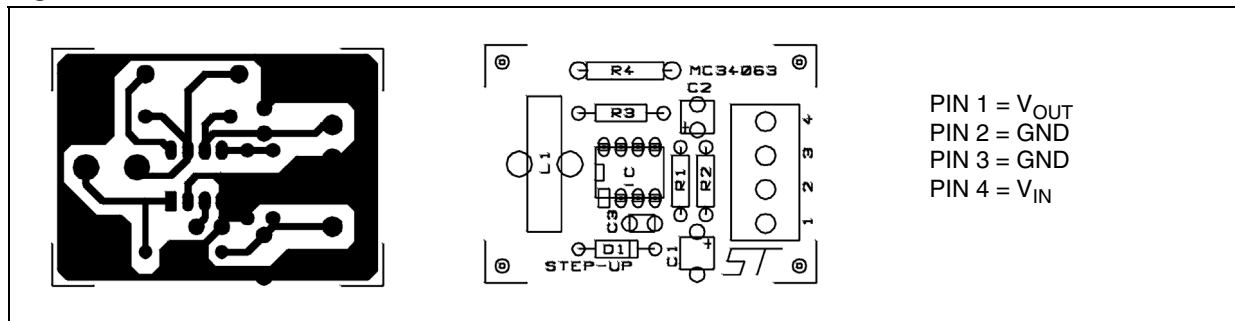


Table 9. Test condition ($V_{OUT} = 28\text{ V}$)

| Test | Conditions | Value (Typ.) | Unit |
|-----------------|---|--------------|------|
| Line Regulation | $V_{IN} = 8\text{ to }16\text{ V}$, $I_O = 175\text{ mA}$ | 30 | mV |
| Load Regulation | $V_{IN} = 12\text{ V}$, $I_O = 75\text{ to }175\text{ mA}$ | 10 | mV |
| Output Ripple | $V_{IN} = 12\text{ V}$, $I_O = 175\text{ mA}$ | 300 | mV |
| Efficiency | $V_{IN} = 12\text{ V}$, $I_O = 175\text{ mA}$ | 89 | % |

Figure 15. Step-down converter

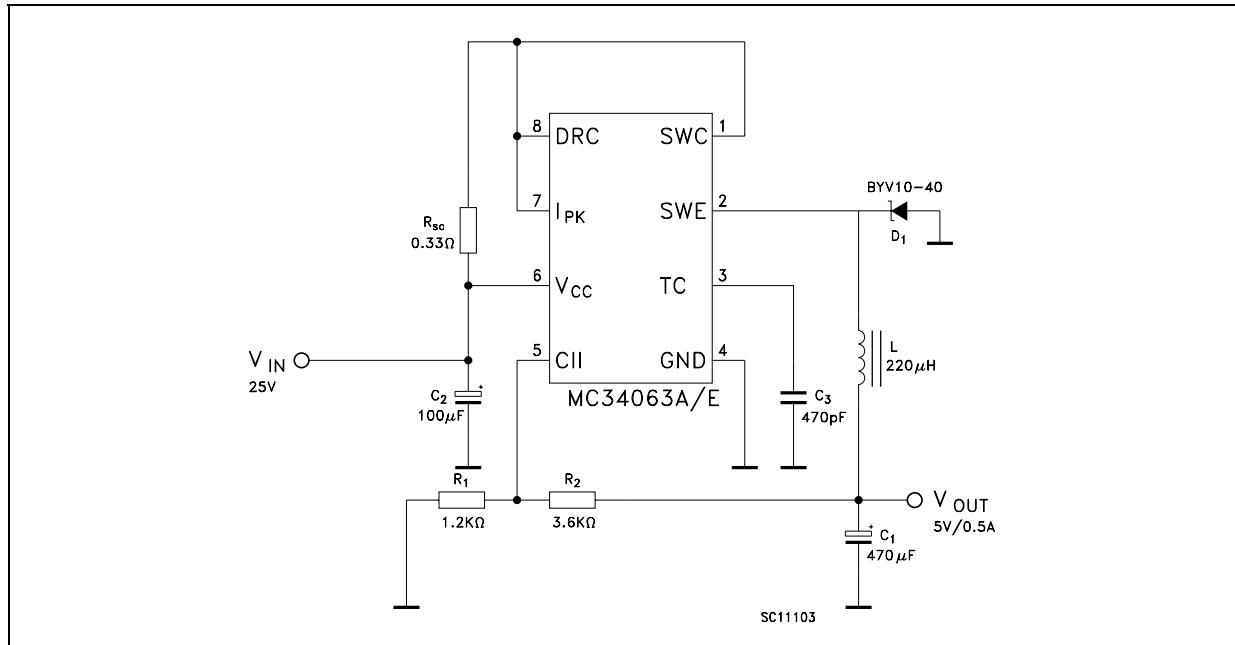


Figure 16. Printed evaluation board

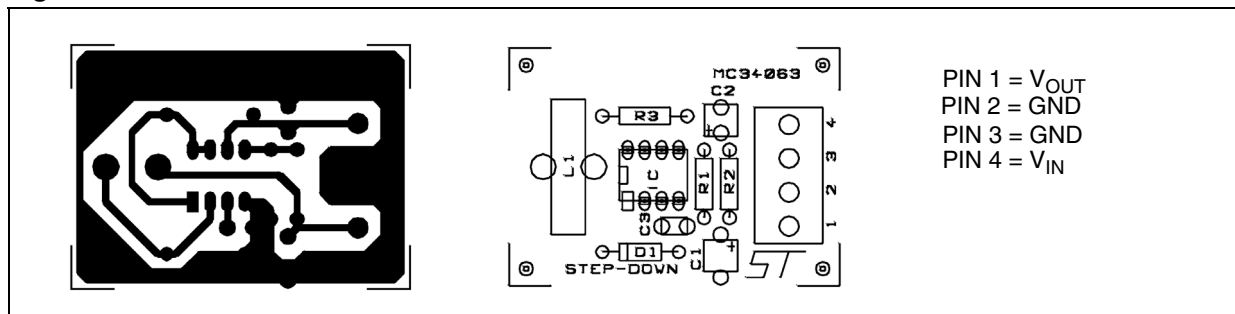


Table 10. Test condition ($V_{OUT} = 5\text{ V}$)

| Test | Conditions | Value (typ.) | Unit |
|-----------------|---|--------------|------|
| Line regulation | $V_{IN} = 15\text{ to }25\text{ V}$, $I_O = 500\text{ mA}$ | 5 | mV |
| Load regulation | $V_{IN} = 25\text{ V}$, $I_O = 50\text{ to }500\text{ mA}$ | 30 | mV |
| Output ripple | $V_{IN} = 25\text{ V}$, $I_O = 500\text{ mA}$ | 100 | mV |
| Efficiency | $V_{IN} = 25\text{ V}$, $I_O = 500\text{ mA}$ | 80 | % |
| I_{SC} | $V_{IN} = 25\text{ V}$, $R_{LOAD} = 0.1\ \Omega$ | 1.2 | A |

Figure 17. Voltage inverting converter

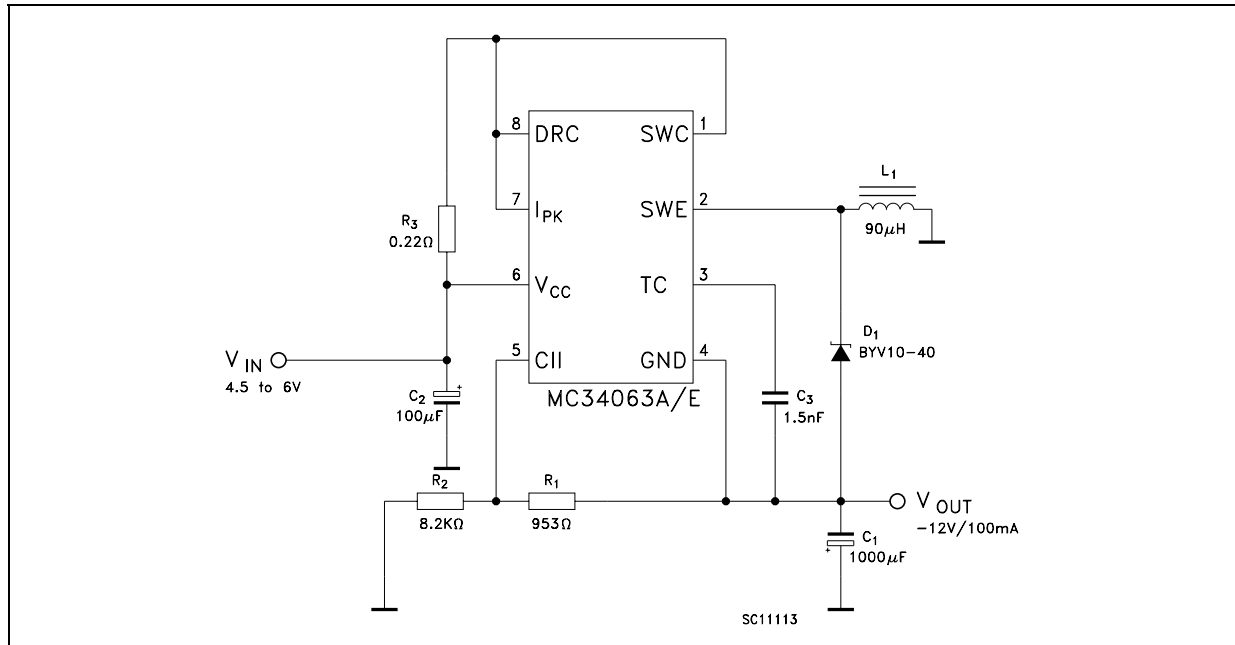


Figure 18. Printed evaluation board

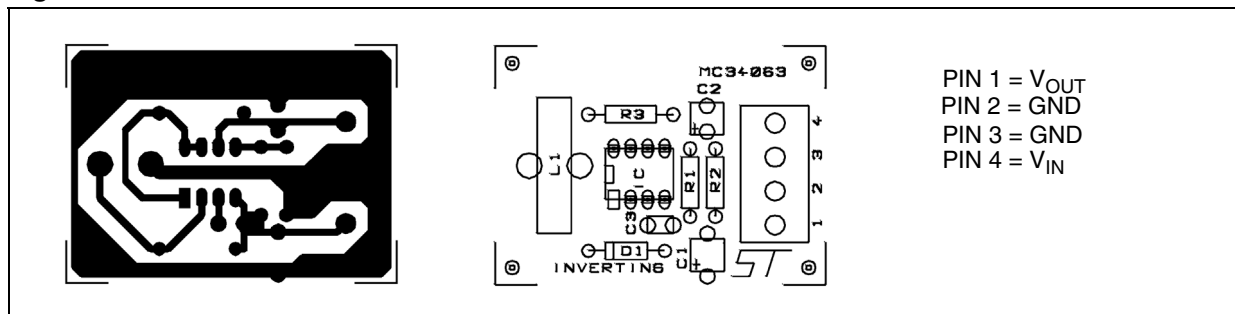


Table 11. Test condition ($V_{OUT} = 12\text{ V}$)

| Test | Conditions | Value (typ.) | Unit |
|-----------------|---|--------------|------|
| Line regulation | $V_{IN} = 4.5\text{ to }6\text{ V}$, $I_O = 100\text{ mA}$ | 15 | mV |
| Load regulation | $V_{IN} = 5\text{ V}$, $I_O = 10\text{ to }100\text{ mA}$ | 20 | mV |
| Output ripple | $V_{IN} = 5\text{ V}$, $I_O = 100\text{ mA}$ | 230 | mV |
| Efficiency | $V_{IN} = 5\text{ V}$, $I_O = 100\text{ mA}$ | 58 | % |
| I_{SC} | $V_{IN} = 5\text{ V}$, $R_{LOAD} = 0.1\ \Omega$ | 0.9 | A |

Table 12. Calculation

| Parameter | Step-Up (Discontinuous mode) | Step-Down (Continuous mode) | Voltage Inverting (Discontinuous mode) |
|---------------------------|--|---|--|
| t_{on}/t_{off} | $\frac{V_{OUT} + V_F - V_{IN(mi)}}{V_{IN(min)} - V_{sat}}$ | $\frac{V_{OUT} + V_F}{V_{IN(min)} - V_{sat} - V_{OL}}$ | $\frac{ V_{OUT} + V_F}{V_{IN} - V_{sat}}$ |
| $(t_{on} + t_{off}) \max$ | $1/f_{min}$ | $1/f_{min}$ | $1/f_{min}$ |
| C_T | $4.5 \times 10^{-5} t_{on}$ | $4.5 \times 10^{-5} t_{on}$ | $4.5 \times 10^{-5} t_{on}$ |
| $I_{PK(switch)}$ | $2I_{out(max)}[(t_{on}/t_{off})+1]$ | $2I_{out(max)}$ | $2I_{out(max)}[(t_{on}/t_{off})+1]$ |
| R_{SC} | $0.3/I_{PK(switch)}$ | $0.3/I_{PK(switch)}$ | $0.3/I_{PK(switch)}$ |
| C_O | $\frac{I_{out} t_{on}}{V_{ripple(p-p)}}$ | $\frac{I_{PK(switch)}(t_{on} + t_{off})}{8V_{ripple(p-p)}}$ | $\frac{I_{out} t_{on}}{V_{ripple(p-p)}}$ |
| $L_{(min)}$ | $\frac{V_{IN(min)} - V_{sat}}{I_{PK(switch)}} \times t_{on(mi)}$ | $\frac{V_{IN(min)} - V_{sat} - V_{out}}{I_{PK(switch)}} \times t_{on()}$ | $\frac{V_{IN(min)} - V_{sat}}{I_{PK(switch)}} \times t_{on(mi)}$ |

Note: V_{SAT} = Saturation voltage of the output switch

V_F = Forward voltage drop of the output rectifier

The following power supply characteristics must be chosen:

V_{IN} = Nominal input voltage

V_{OUT} = Desired output voltage, $|V_{OUT}| = 1.25 (1 + R_2/R_1)$

I_{OUT} = Desired output current

f_{MIN} = Minimum desired output switching frequency at the selected values of V_{IN} and I_O

V_{RIPPLE} = Desired peak to peak output ripple voltage. In practice, the calculated capacitor value will and to be increased due to its equivalent series resistance and board layout. The ripple voltage should be kept to a low value since it will directly affect the line and load regulation.

Figure 19. Step-up with external NPN switch

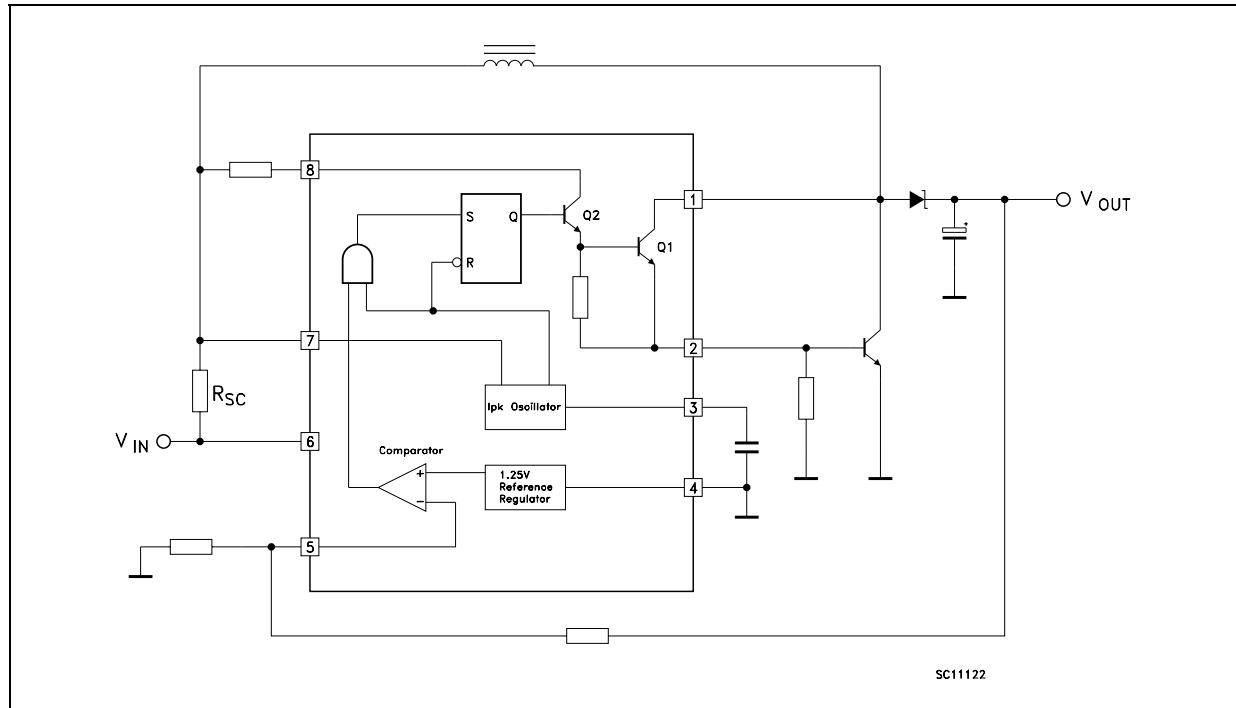


Figure 20. Step-down with external NPN switch

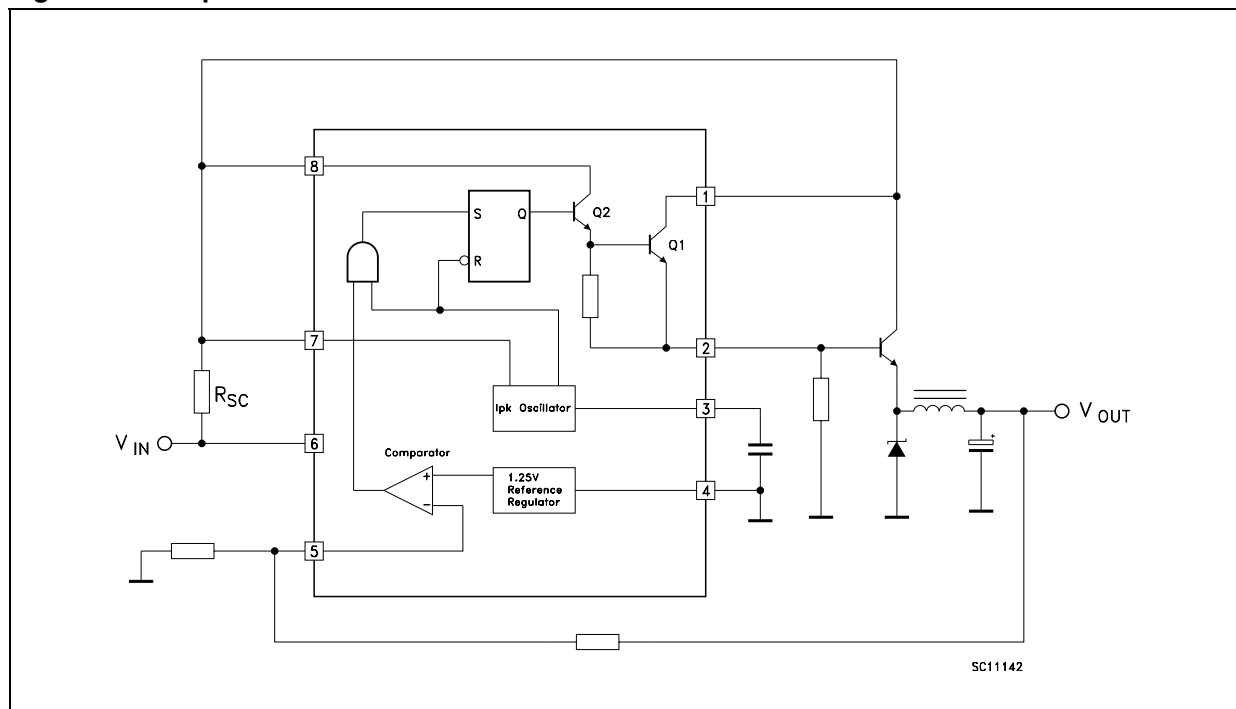


Figure 21. Step-down with external PNP switch

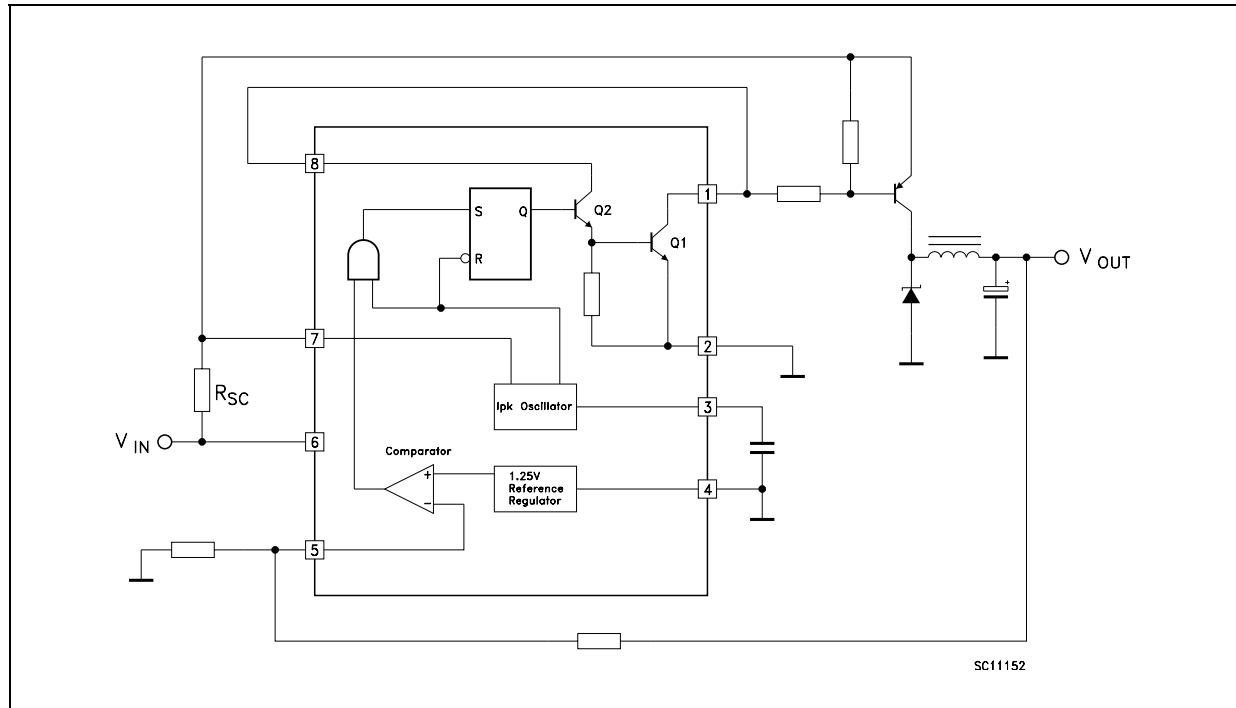


Figure 22. Voltage inverting with external NPN switch

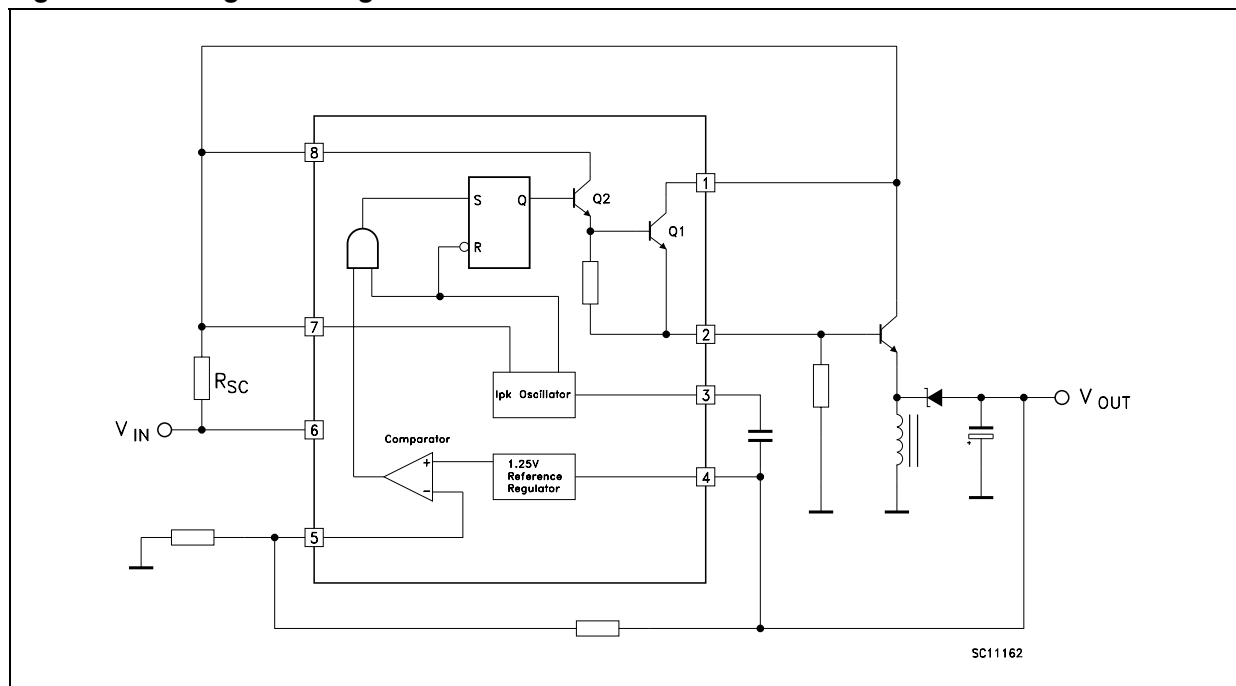


Figure 23. Voltage inverting with external PNP saturated switch

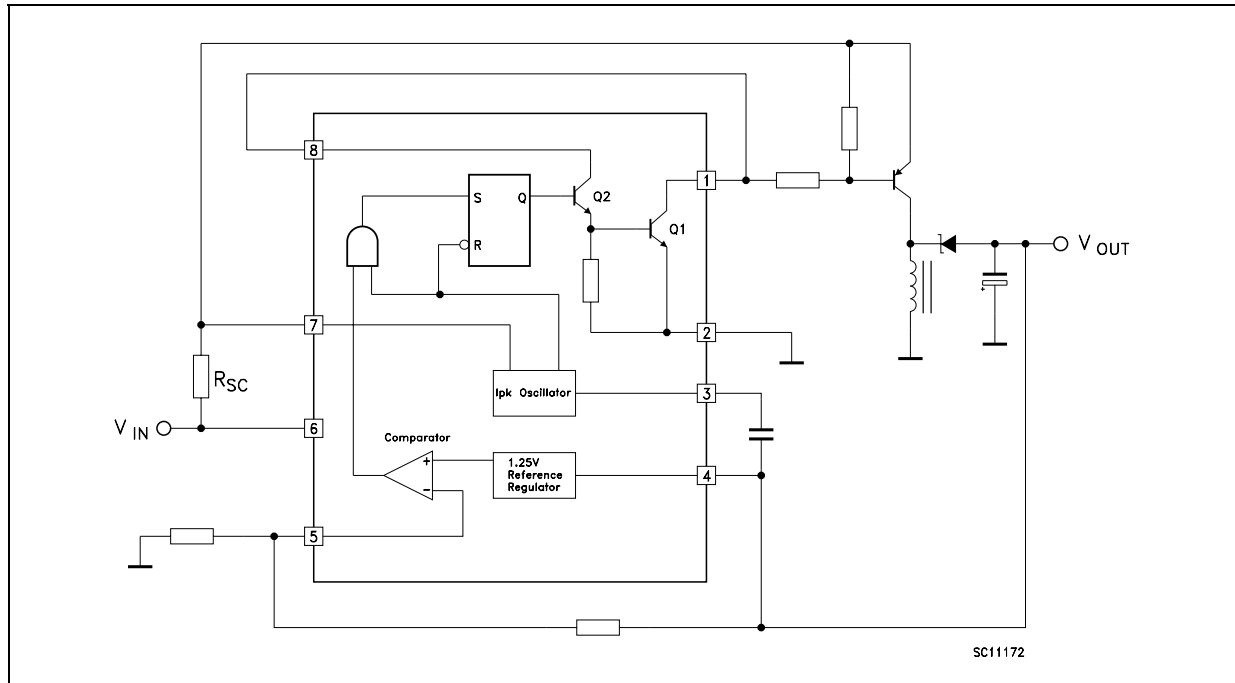


Figure 24. Dual output voltage

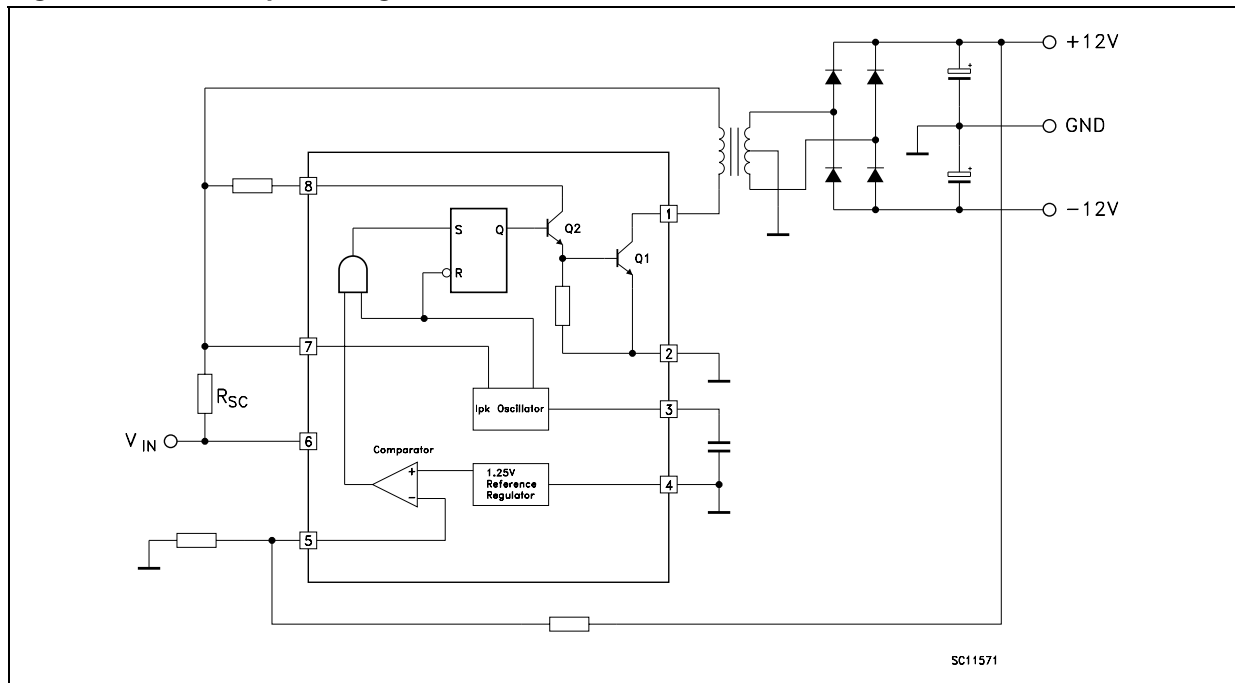
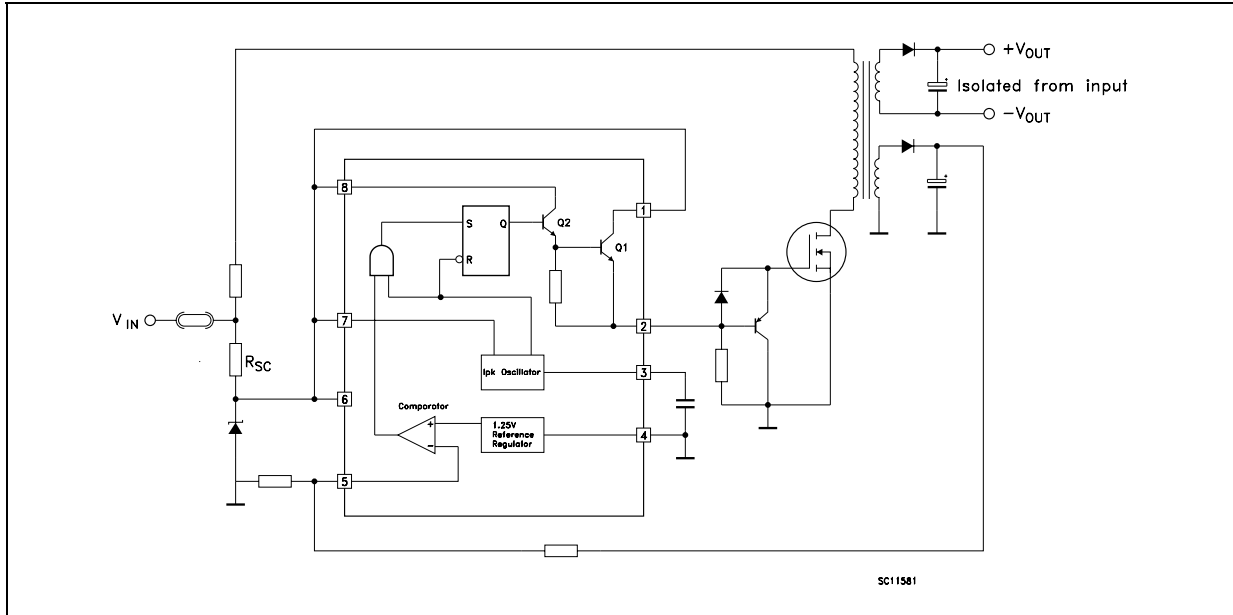


Figure 25. Higher output power, higher input voltage

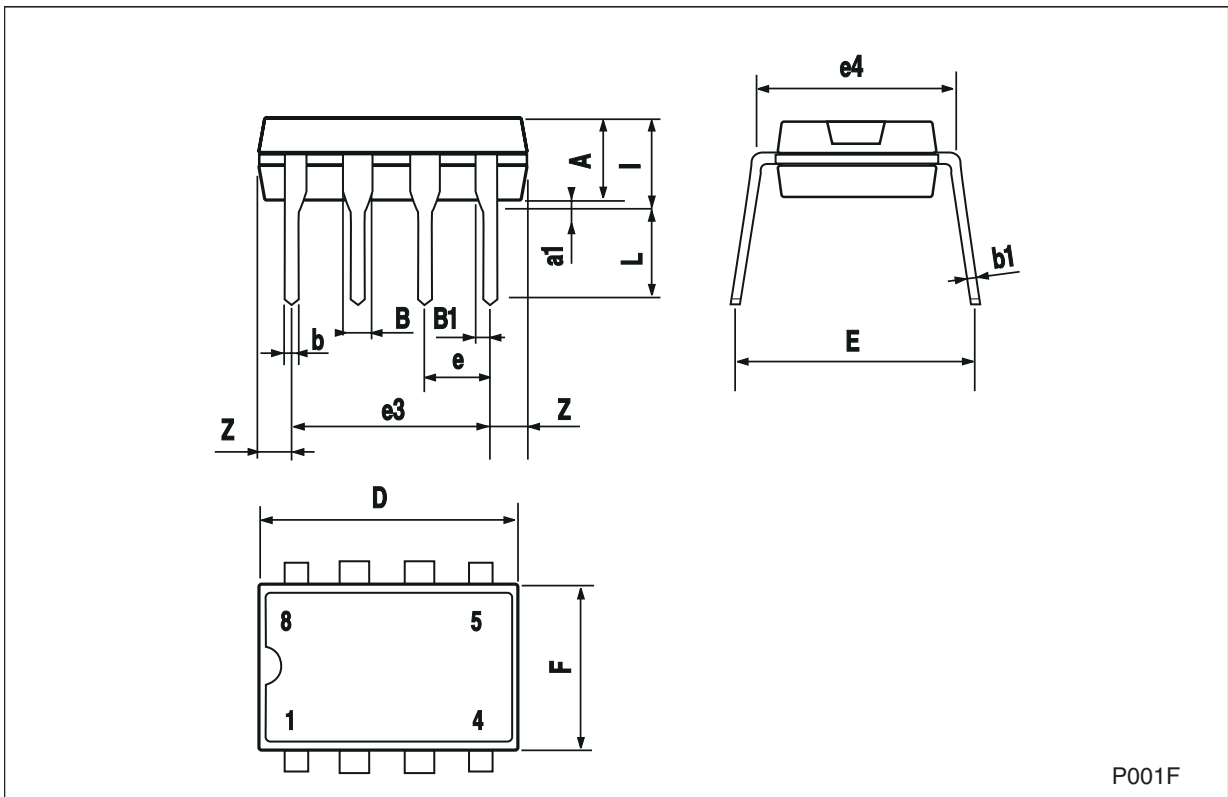


7 Package mechanical data

In order to meet environmental requirements, ST offers these devices in ECOPACK® packages. These packages have a lead-free second level interconnect. The category of second level interconnect is marked on the package and on the inner box label, in compliance with JEDEC Standard JESD97. The maximum ratings related to soldering conditions are also marked on the inner box label. ECOPACK is an ST trademark. ECOPACK specifications are available at: www.st.com

Plastic DIP-8 mechanical data

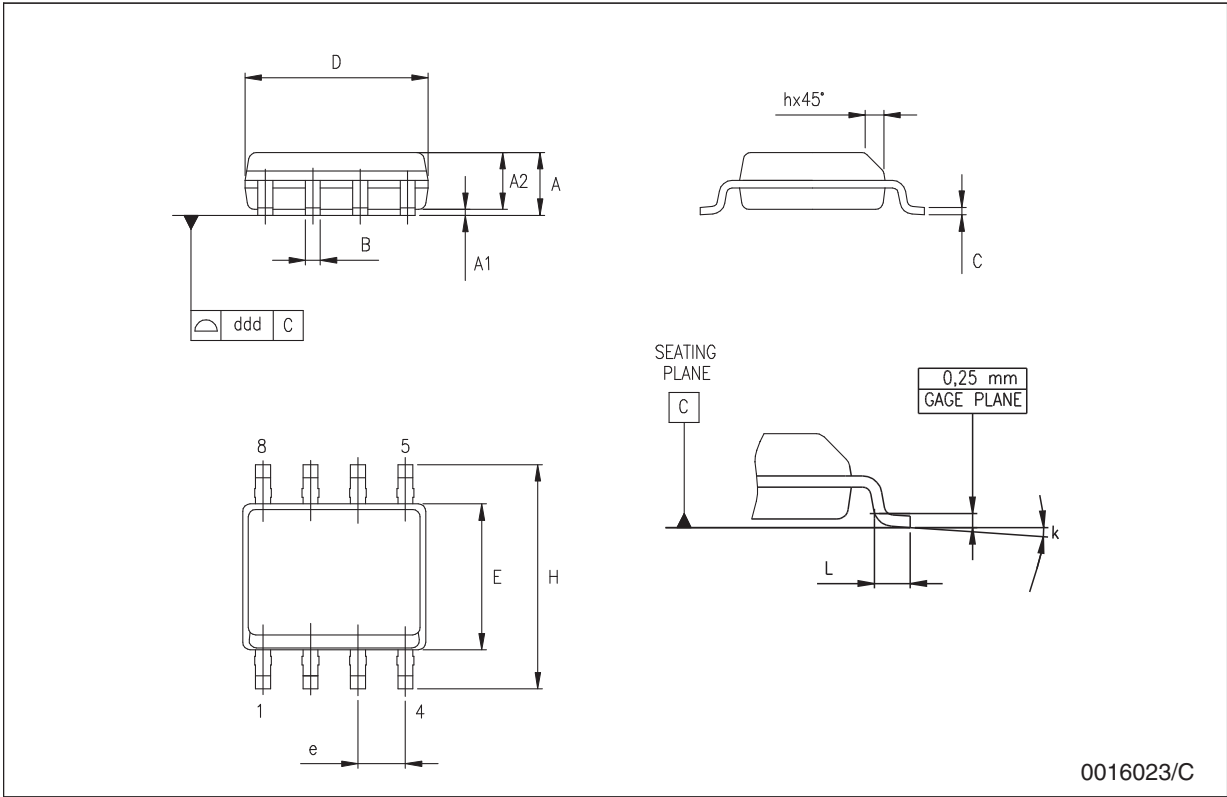
| Dim. | mm. | | | inch. | | |
|------|------|------|------|-------|-------|-------|
| | Min. | Typ. | Max. | Min. | Typ. | Max. |
| A | | 3.3 | | | 0.130 | |
| a1 | 0.7 | | | 0.028 | | |
| B | 1.39 | | 1.65 | 0.055 | | 0.065 |
| B1 | 0.91 | | 1.04 | 0.036 | | 0.041 |
| b | | 0.5 | | | 0.020 | |
| b1 | 0.38 | | 0.5 | 0.015 | | 0.020 |
| D | | | 9.8 | | | 0.386 |
| E | | 8.8 | | | 0.346 | |
| e | | 2.54 | | | 0.100 | |
| e3 | | 7.62 | | | 0.300 | |
| e4 | | 7.62 | | | 0.300 | |
| F | | | 7.1 | | | 0.280 |
| l | | | 4.8 | | | 0.189 |
| L | | 3.3 | | | 0.130 | |
| Z | 0.44 | | 1.6 | 0.017 | | 0.063 |



P001F

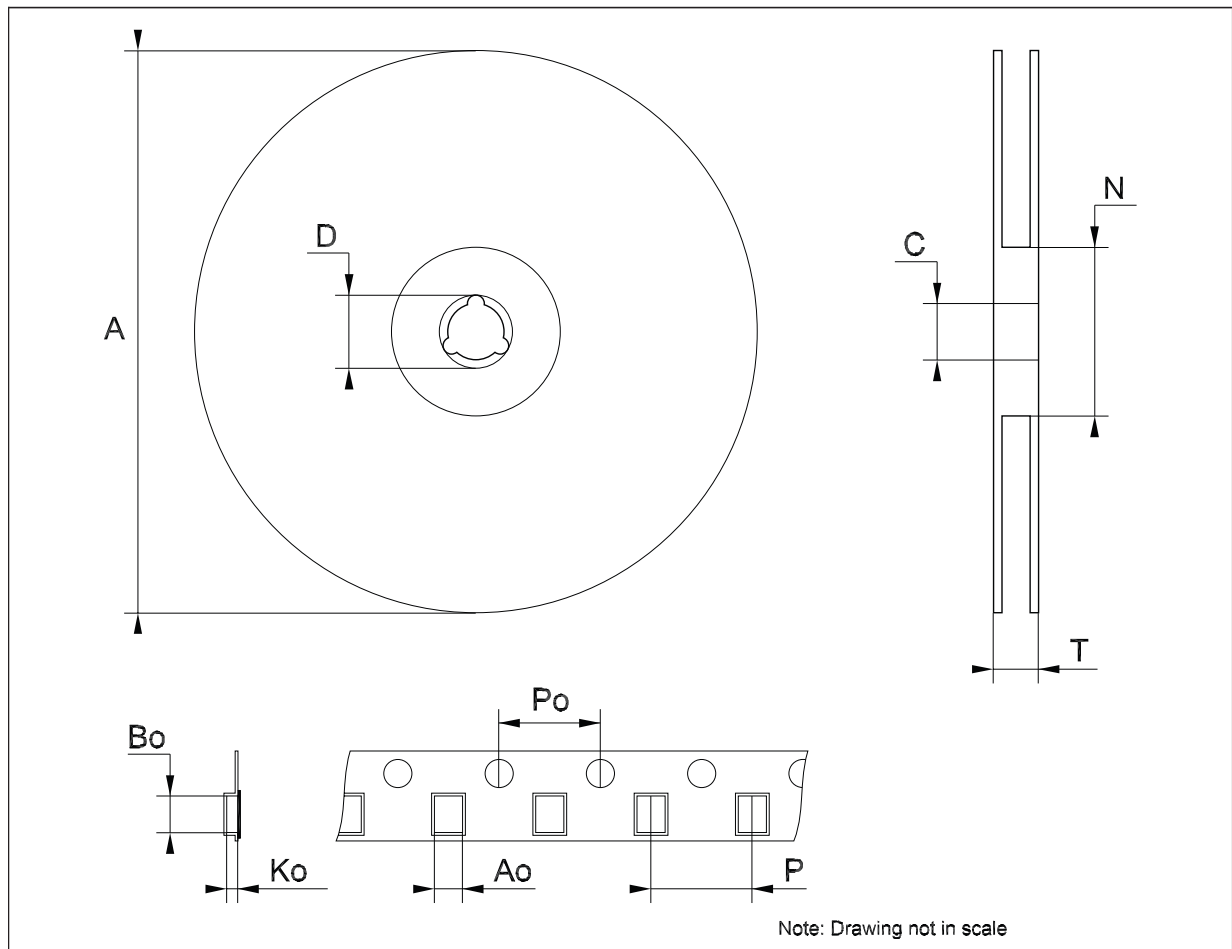
SO-8 mechanical data

| Dim. | mm. | | | inch. | | |
|------|-----------|------|------|-------|-------|-------|
| | Min. | Typ. | Max. | Min. | Typ. | Max. |
| A | 1.35 | | 1.75 | 0.053 | | 0.069 |
| A1 | 0.10 | | 0.25 | 0.04 | | 0.010 |
| A2 | 1.10 | | 1.65 | 0.043 | | 0.065 |
| B | 0.33 | | 0.51 | 0.013 | | 0.020 |
| C | 0.19 | | 0.25 | 0.007 | | 0.010 |
| D | 4.80 | | 5.00 | 0.189 | | 0.197 |
| E | 3.80 | | 4.00 | 0.150 | | 0.157 |
| e | | 1.27 | | | 0.050 | |
| H | 5.80 | | 6.20 | 0.228 | | 0.244 |
| h | 0.25 | | 0.50 | 0.010 | | 0.020 |
| L | 0.40 | | 1.27 | 0.016 | | 0.050 |
| k | 8° (max.) | | | | | |
| ddd | | | 0.1 | | | 0.04 |



Tape & reel SO-8 mechanical data

| Dim. | mm. | | | inch. | | |
|------|------|------|------|-------|------|--------|
| | Min. | Typ. | Max. | Min. | Typ. | Max. |
| A | | | 330 | | | 12.992 |
| C | 12.8 | | 13.2 | 0.504 | | 0.519 |
| D | 20.2 | | | 0.795 | | |
| N | 60 | | | 2.362 | | |
| T | | | 22.4 | | | 0.882 |
| Ao | 8.1 | | 8.5 | 0.319 | | 0.335 |
| Bo | 5.5 | | 5.9 | 0.216 | | 0.232 |
| Ko | 2.1 | | 2.3 | 0.082 | | 0.090 |
| Po | 3.9 | | 4.1 | 0.153 | | 0.161 |
| P | 7.9 | | 8.1 | 0.311 | | 0.319 |



8 Revision history

Table 13. Document revision history

| Date | Revision | Changes |
|-------------|----------|---------------------------------|
| 22-Jun-2004 | 9 | |
| 20-Nov-2007 | 10 | Added Table 1 . |

Please Read Carefully:

Information in this document is provided solely in connection with ST products. STMicroelectronics NV and its subsidiaries ("ST") reserve the right to make changes, corrections, modifications or improvements, to this document, and the products and services described herein at any time, without notice.

All ST products are sold pursuant to ST's terms and conditions of sale.

Purchasers are solely responsible for the choice, selection and use of the ST products and services described herein, and ST assumes no liability whatsoever relating to the choice, selection or use of the ST products and services described herein.

No license, express or implied, by estoppel or otherwise, to any intellectual property rights is granted under this document. If any part of this document refers to any third party products or services it shall not be deemed a license grant by ST for the use of such third party products or services, or any intellectual property contained therein or considered as a warranty covering the use in any manner whatsoever of such third party products or services or any intellectual property contained therein.

UNLESS OTHERWISE SET FORTH IN ST'S TERMS AND CONDITIONS OF SALE ST DISCLAIMS ANY EXPRESS OR IMPLIED WARRANTY WITH RESPECT TO THE USE AND/OR SALE OF ST PRODUCTS INCLUDING WITHOUT LIMITATION IMPLIED WARRANTIES OF MERCHANTABILITY, FITNESS FOR A PARTICULAR PURPOSE (AND THEIR EQUIVALENTS UNDER THE LAWS OF ANY JURISDICTION), OR INFRINGEMENT OF ANY PATENT, COPYRIGHT OR OTHER INTELLECTUAL PROPERTY RIGHT.

UNLESS EXPRESSLY APPROVED IN WRITING BY AN AUTHORIZED ST REPRESENTATIVE, ST PRODUCTS ARE NOT RECOMMENDED, AUTHORIZED OR WARRANTED FOR USE IN MILITARY, AIR CRAFT, SPACE, LIFE SAVING, OR LIFE SUSTAINING APPLICATIONS, NOR IN PRODUCTS OR SYSTEMS WHERE FAILURE OR MALFUNCTION MAY RESULT IN PERSONAL INJURY, DEATH, OR SEVERE PROPERTY OR ENVIRONMENTAL DAMAGE. ST PRODUCTS WHICH ARE NOT SPECIFIED AS "AUTOMOTIVE GRADE" MAY ONLY BE USED IN AUTOMOTIVE APPLICATIONS AT USER'S OWN RISK.

Resale of ST products with provisions different from the statements and/or technical features set forth in this document shall immediately void any warranty granted by ST for the ST product or service described herein and shall not create or extend in any manner whatsoever, any liability of ST.

ST and the ST logo are trademarks or registered trademarks of ST in various countries.

Information in this document supersedes and replaces all information previously supplied.

The ST logo is a registered trademark of STMicroelectronics. All other names are the property of their respective owners.

© 2007 STMicroelectronics - All rights reserved

STMicroelectronics group of companies

Australia - Belgium - Brazil - Canada - China - Czech Republic - Finland - France - Germany - Hong Kong - India - Israel - Italy - Japan - Malaysia - Malta - Morocco - Singapore - Spain - Sweden - Switzerland - United Kingdom - United States of America

www.st.com