

## 4.00"(101.60mm)Single Digit 7 Segment Display

### Features:

- \*High segment intensity
- \*Wide viewing angle
- \*Range of colours
- \*Black face White segment
- \*Rohs compliant

### Available option:

- \*Alternative face and segment colour
- \*Alternative font
- \*Cropped terminal pins
- \*Available emitting colour
- \*Low current version

### Electro/Optical Characteristics $I_f=20mA$ $T_a=25^\circ C$

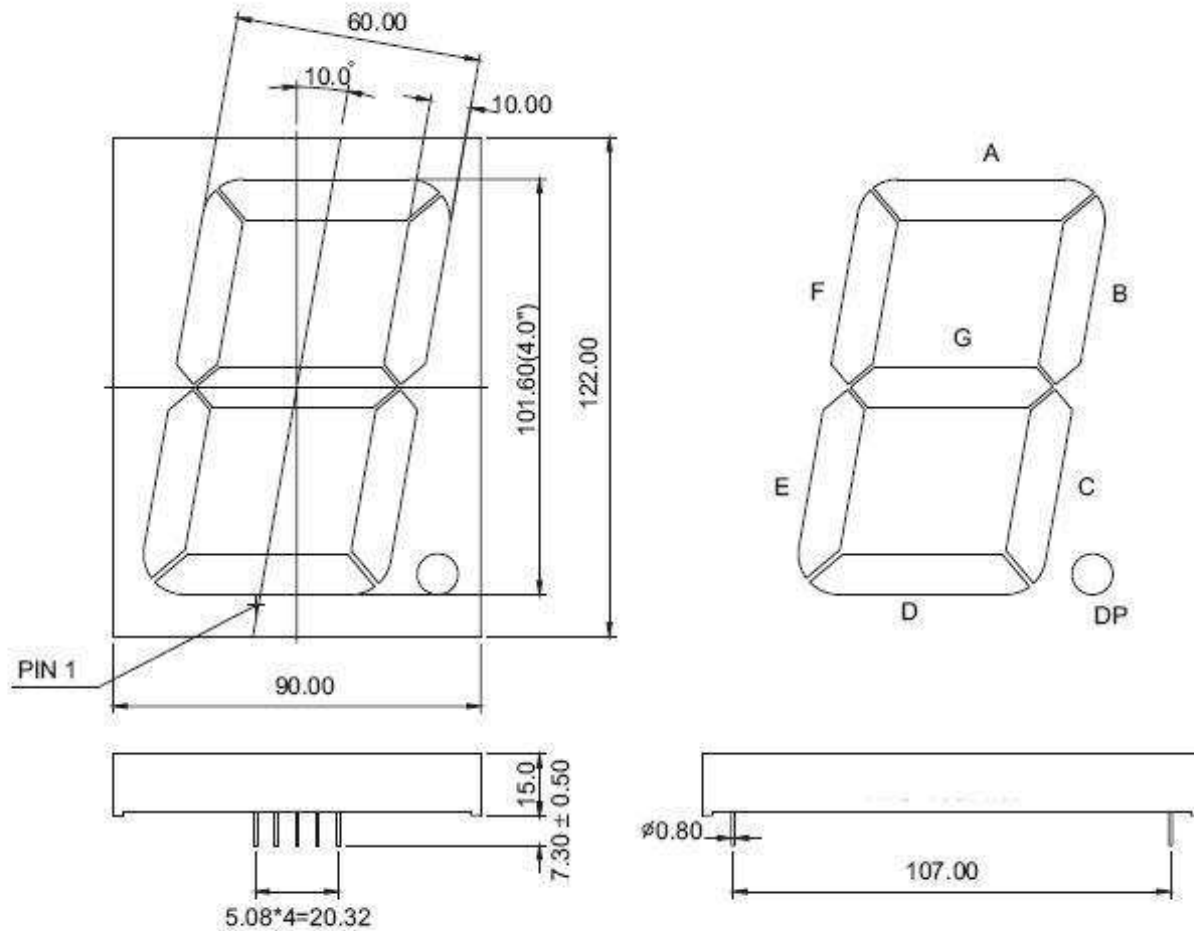
Part Number Common Cathode	Part Number Common Anode	Emitting Colors	Peak Wave length	Forward Voltage $V_f$		Luminous Intensity $I_v$	
				Typical	Max.	Min.	Typical
LD-S400W-CC	LD-S400W-C	InGaN/SiC White		16.50	20.00	5250.0	7920.0
Units			nm	V		mcd	

### Maximum Ratings $T_a=25^\circ C$ (Derate above 25 C)

Characteristic	Condition	Symbol					White	Units
Pulse Forward Current	0.1 duty cycle 0.1ms Pulse width	$I_{FP}$					100	mA
DC Forward Current		$I_f$					30	mA
Reverse Current	$V_r=5V$	$I_R$					20	$\mu A$
Power Dissipation		$P_D$					120*36	mW
Operating Temperature		$T_{OPX}$					-40 to +80	$^\circ C$
Storage Temperature		$T_{TSG}$					-40 to +85	$^\circ C$
Lead soldering temperature	1.60mm from body maximum 3 seconds						260	$^\circ C$

# 4.00" (101.60mm) Single Digit 7 Segment Display

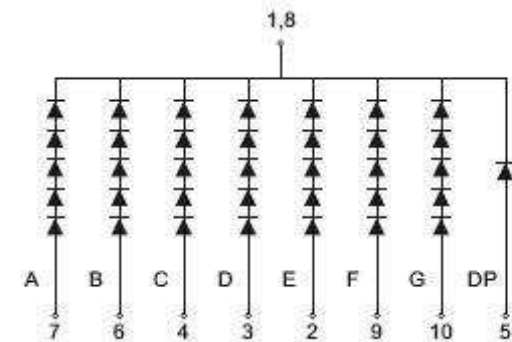
## PACKAGE DIMENSION



Tolerance  $\pm 0.25\text{mm}$  unless stated

## INTERNAL CIRCUIT DIAGRAM

Common Cathode  
LD-S400W-CC



Common Anode  
LD-S400W-C

