

## 2.30"(56.80mm)Single Digit 7 Segment Display

### Features:

- \*High segment intensity
- \*Wide viewing angle
- \*Range of colours
- \*Black face White segment
- \*Rohs compliant

### Available option:

- \*Alternative face and segment colour
- \*Alternative font
- \*Cropped terminal pins
- \*Available emitting colour
- \*Low current version

### Electro/Optical Characteristics If=20mA Ta=25°C

Part Number Common Cathode	Part Number Common Anode	Emitting Colors	Peak Wavelength	Forward Voltage Vf		Luminous Intensity Iv	
				Typical	Max.	Min.	Typical
LD-S230HR-CC	LD-S230HR-C	GaAlAs/GaAs Hi-Red	660	7.40	8.80	240.0	360.0
LD-S230B-CC	LD-S230B-C	InGaN/SiC Blue	470	14.00	16.80	150.0	240.0
LD-S230SB-CC	LD-S230SB-C	InGaN/SiC Super Blue	470	14.00	16.80	240.0	360.0
LD-S230G-CC	LD-S230G-C	GaP/GaP Green	570	8.80	10.00	220.0	330.0
Units			nm	V		mcd	

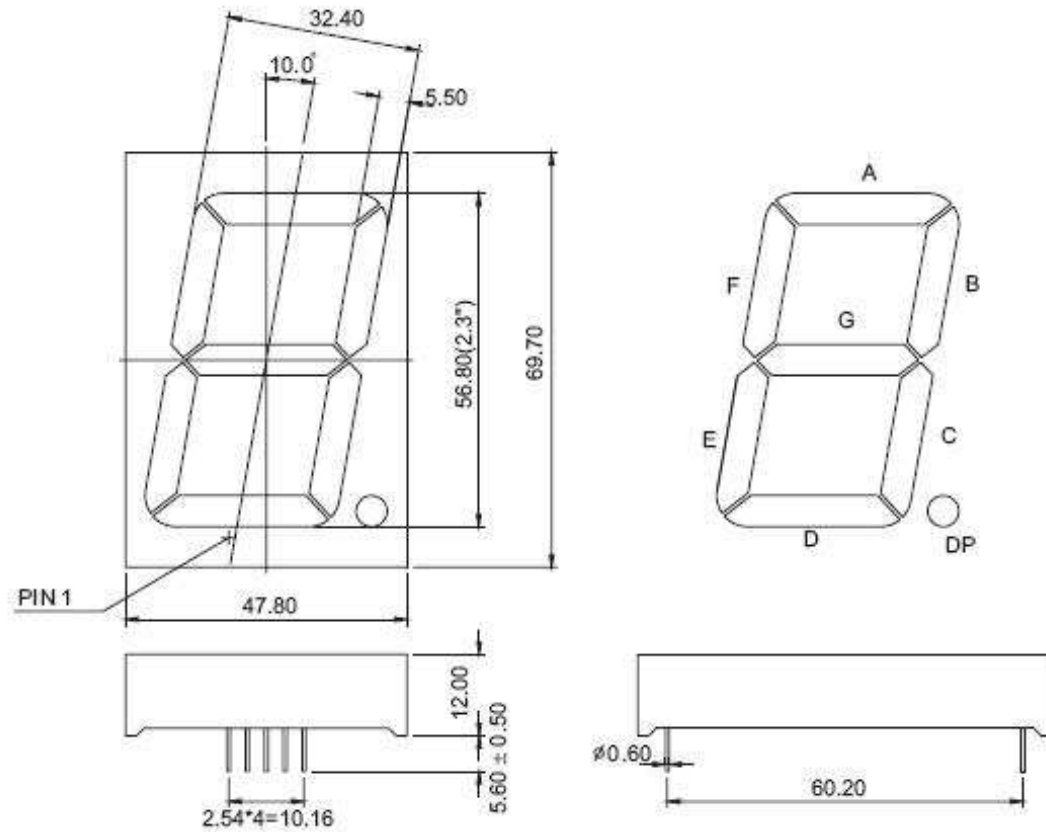
### Maximum Ratings Ta=25°C (Derate above 25°C)

Characteristic	Condition	Symbol	Hi-Red	Blue	Super Blue	Green		Units
Pulse Forward Current	0.1 duty cycle 0.1ms Pulse width	I <sub>FP</sub>	150	100	100	150		mA
DC Forward Current		I <sub>F</sub>	25	30	30	30		mA
Reverse Current	V <sub>r</sub> =5V	I <sub>R</sub>	20	20	20	20		μA
Power Dissipation		P <sub>D</sub>	60*30	120*30	120*30	80*30		mW
Operating Temperature		T <sub>OPR</sub>	-40 to +80					°C
Storage Temperature		T <sub>STG</sub>	-40 to +85					°C
Lead soldering temperature	1.60mm from body maximum 3 seconds		260					°C

# 2.30"(56.80mm)Single Digit 7 Segment Display

## PACKAGE DIMENSION

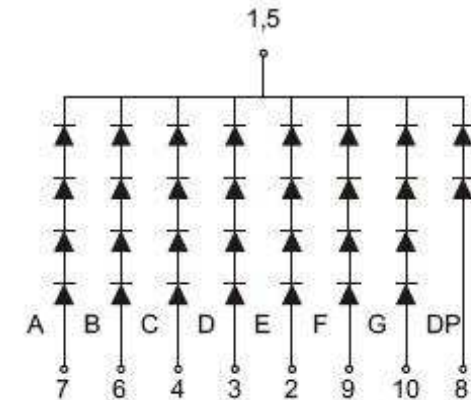
### NFD-23011 Series



Tolerance  $\pm 0.25\text{mm}$  unless stated

## INTERNAL CIRCUIT DIAGRAM

### Common Cathode LD-S230X-CC



### Common Anode LD-S230X-C

