

C702A PUSHMATIC 5V

Part No. C702 10M008 701 2

Series Smart Card Connectors

Subseries Smart Card Connector C702A



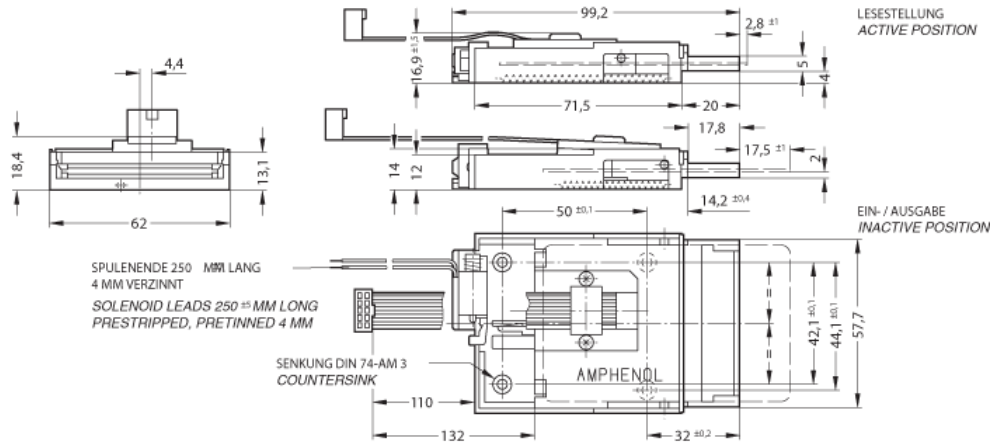
COMMON CHARACTERISTICS		
Contact method		landing contacts
Card handling		PUSHMATIC
Version		Standard
Style		mounted on a 3.5 inch or 5.25 inch disk drive frame
Unlocking solenoid		Solenoid termination: wire 0,09 mm ² / AWG 286
Suitable connector		Stiftleiste IEC 60603-13, 10 pol bzw. 20 pol Amphenol Serie 816 und 821
ELECTRICAL CHARACTERISTICS		
Contact resistance	IEC 60512-2, Test 2a	Data contacts ≤ 100 m Switch contacts ≤ 200 m
Insulation resistance	IEC 60512-3, Test 3a	≥ 10 ⁹
Voltage proof	IEC 60512-2, Test 4a	500 V
CLIMATICAL CHARACTERISTICS		
Operating temperature	ohne Betauung	-25 °C ... +85 °C
Storage temperature		-25 °C .. +85 °C
Climatic category	DIN EN 60068-1 / IEC 60068-1	25 / 85 / 21
MECHANICAL CHARACTERISTICS		
Card extraction force	IEC 60512-7, Test 13b	≤ 5 N
Mechanical lifetime	IEC 60512-5, Test 9a (without corrosion stress)	300.000 mating cycles
Vibration	IEC 0512-6-4, Test 6d	f = 10 ... 60 Hz; 0,5 mm DA f = 60 ... 500 Hz; a = 2,5 g 2 h / Axis
Shock, without disconnection	IEC 60512-4, Test 6c	≤ 10 g; 11 ms; halfsine 2 shocks / direction in 3 axis
Shock, without destruction	IEC 60512-6-3, Test 6c	≤ 200 g; 6 ms; halfsine 2 shocks / direction in 3 axis
UNLOCKING SOLENOID (PUSHMATIC ONLY)		
Unlocking solenoid (rated voltage)		5 V ± 10%
Unlocking solenoid (current consumption)		2,5 A ± 10%
Current pulse length		10 .. 25 ms
Pulse break		≥ 0,5 s
POWER FAILURE SOLENOID (DETECTOR)		
Power failure solenoid (rated voltage)		5 V ± 10%
SWITCH		
EMV switch		normally open
Switch sequence		The card presence switch is activated after data contacts have mated with the card pads and before the card reaches its final position. This sequence will take place for the minimum sized card pads (and larger) acc. to ISO 7816
Locking detector		is activated when contact system is locked switch rating 100 mA / 12 V
Chattering time		≤ 5 ms

C702A PUSHMATIC 5V

Part No. C702 10M008 701 2

Series Smart Card Connectors

Subseries Smart Card Connector C702A



Belegung Steckverbinder / ISO	Connector termination ISO + AFNOR Kontakte in Reihe / Contacts in series	AFNOR	ISO + AFNOR Kontakte parallel / Contacts in parallel

Ma zeichnung Dimensions in mm (Inch)