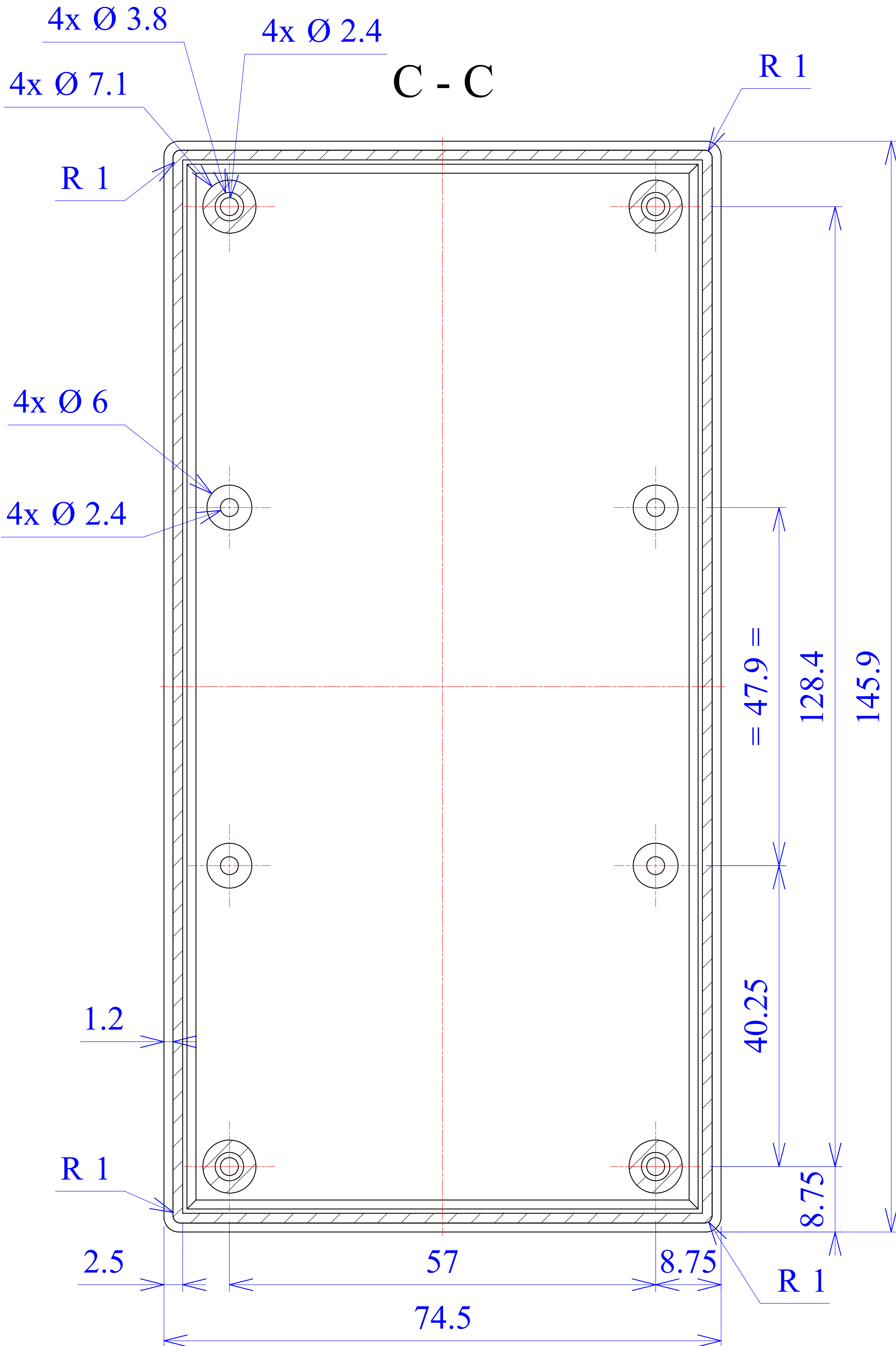




C - C



# D - D

4x Ø 7.1

4x Ø 3.8

R 1

R 1

1.3

R 1

8.75

R 1

2.5

57

8.75

74.5

128.4

145.9

169.5

