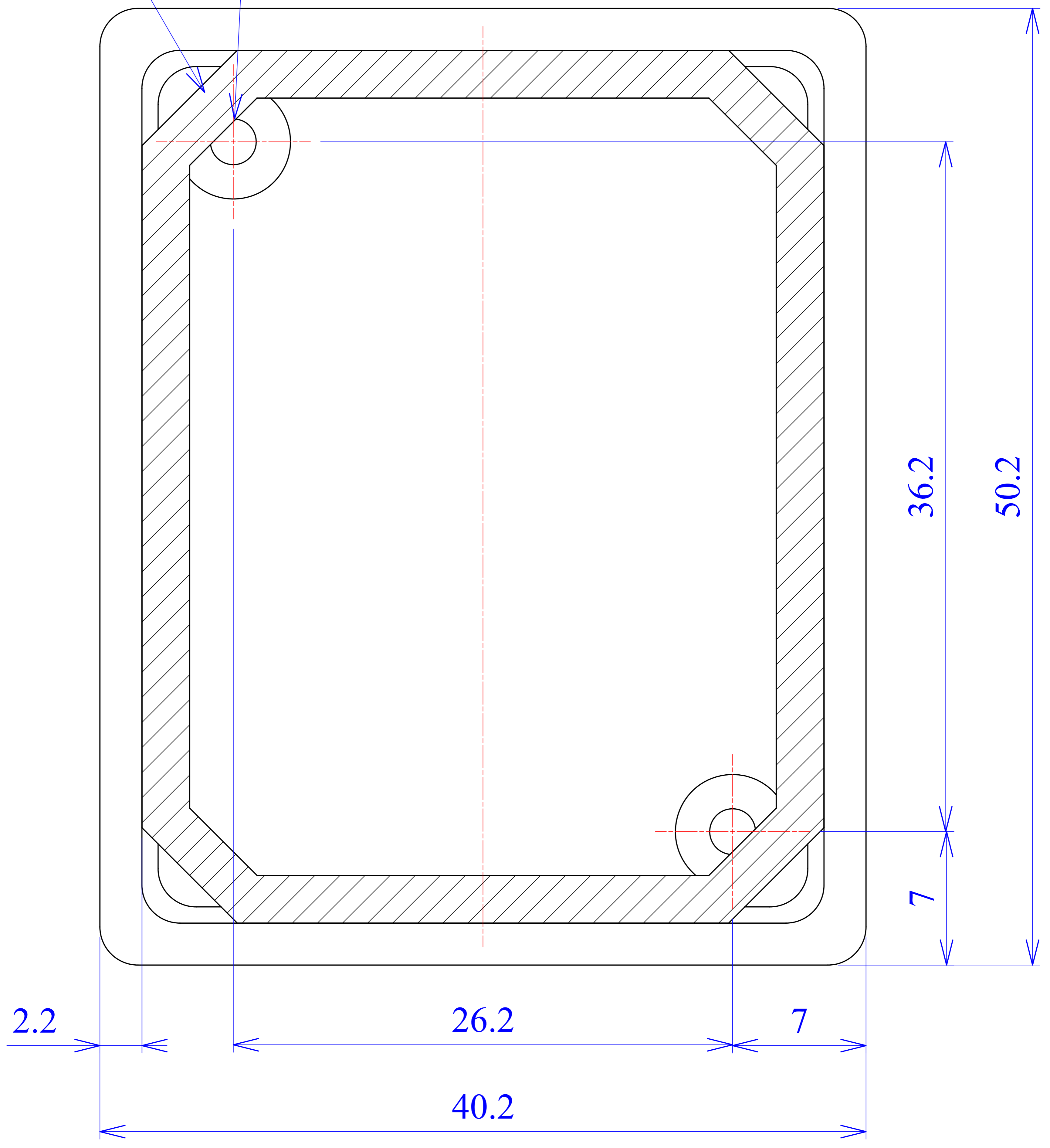




2x Ø 6

2x Ø 2.4

C - C



2.2

26.2

7

40.2

36.2

50.2

7

