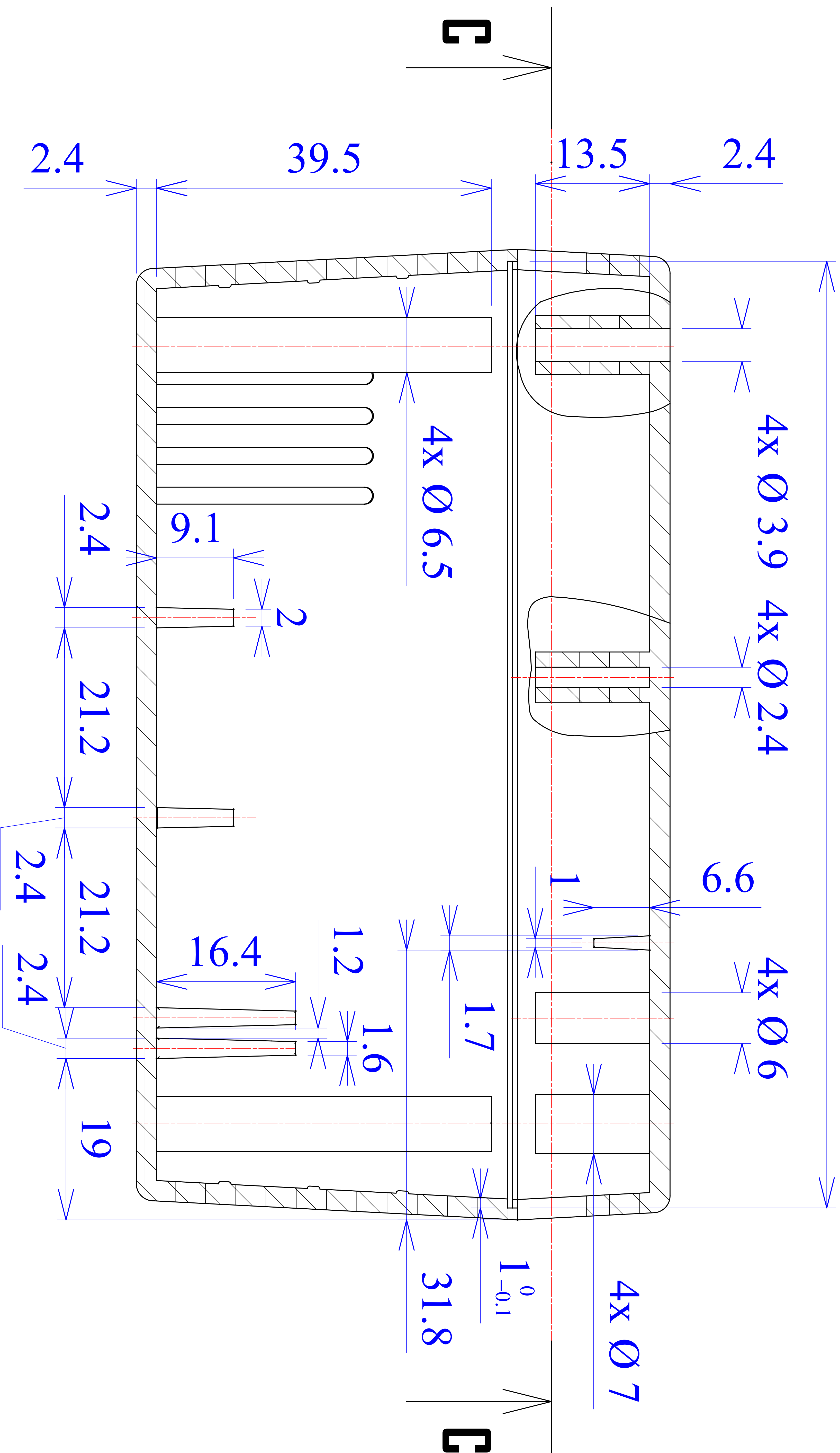
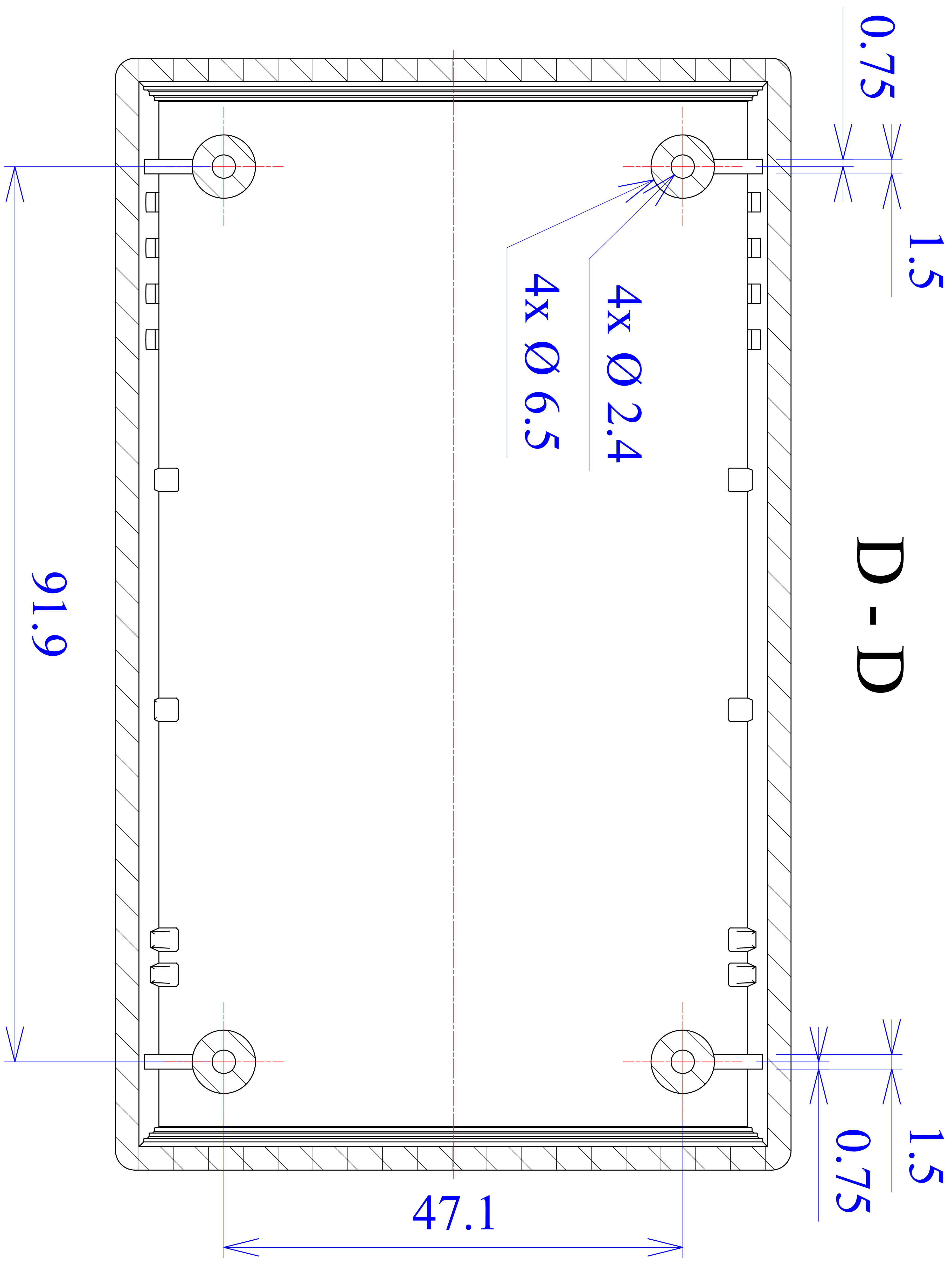


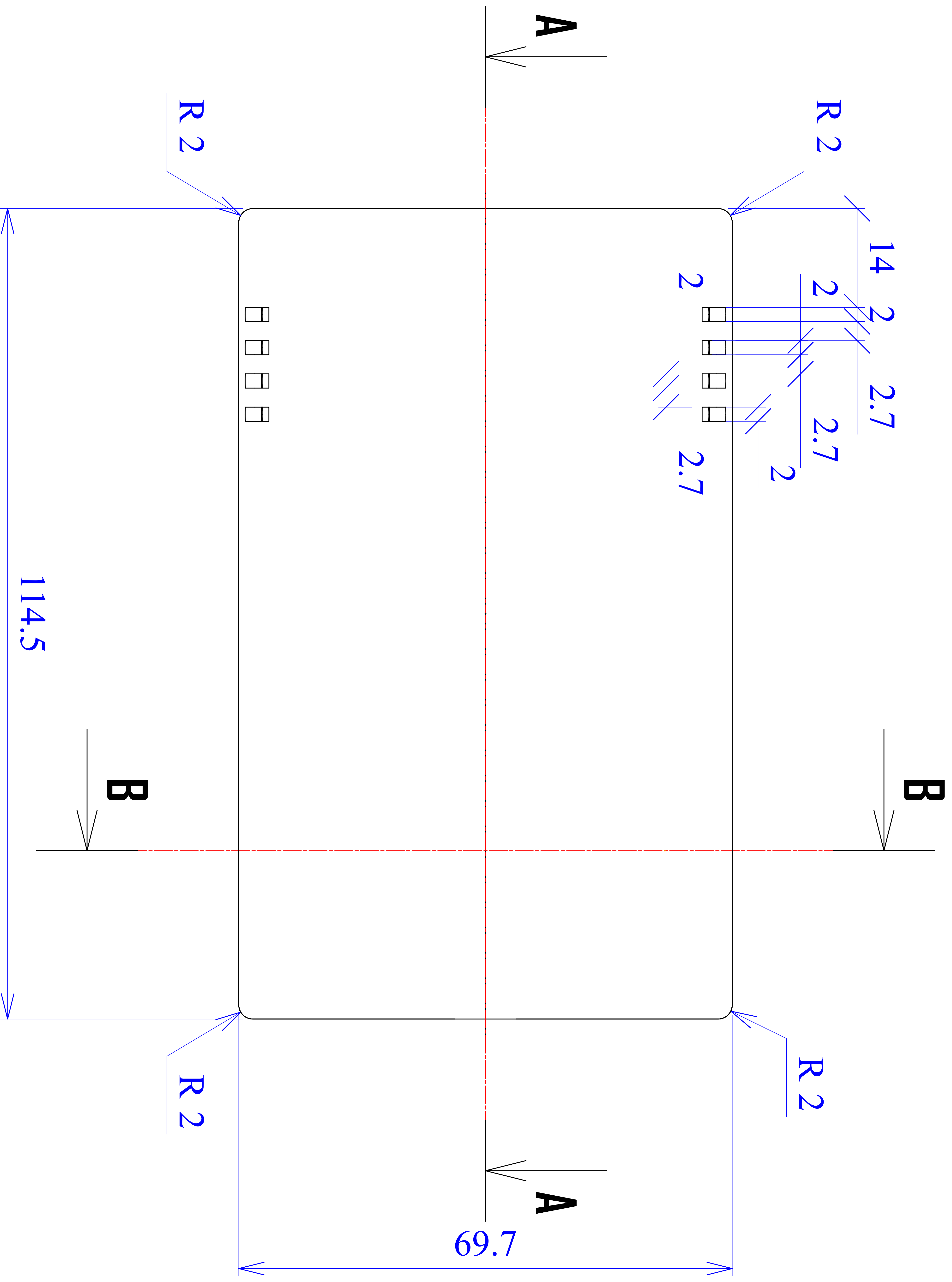
# A - A

111.7

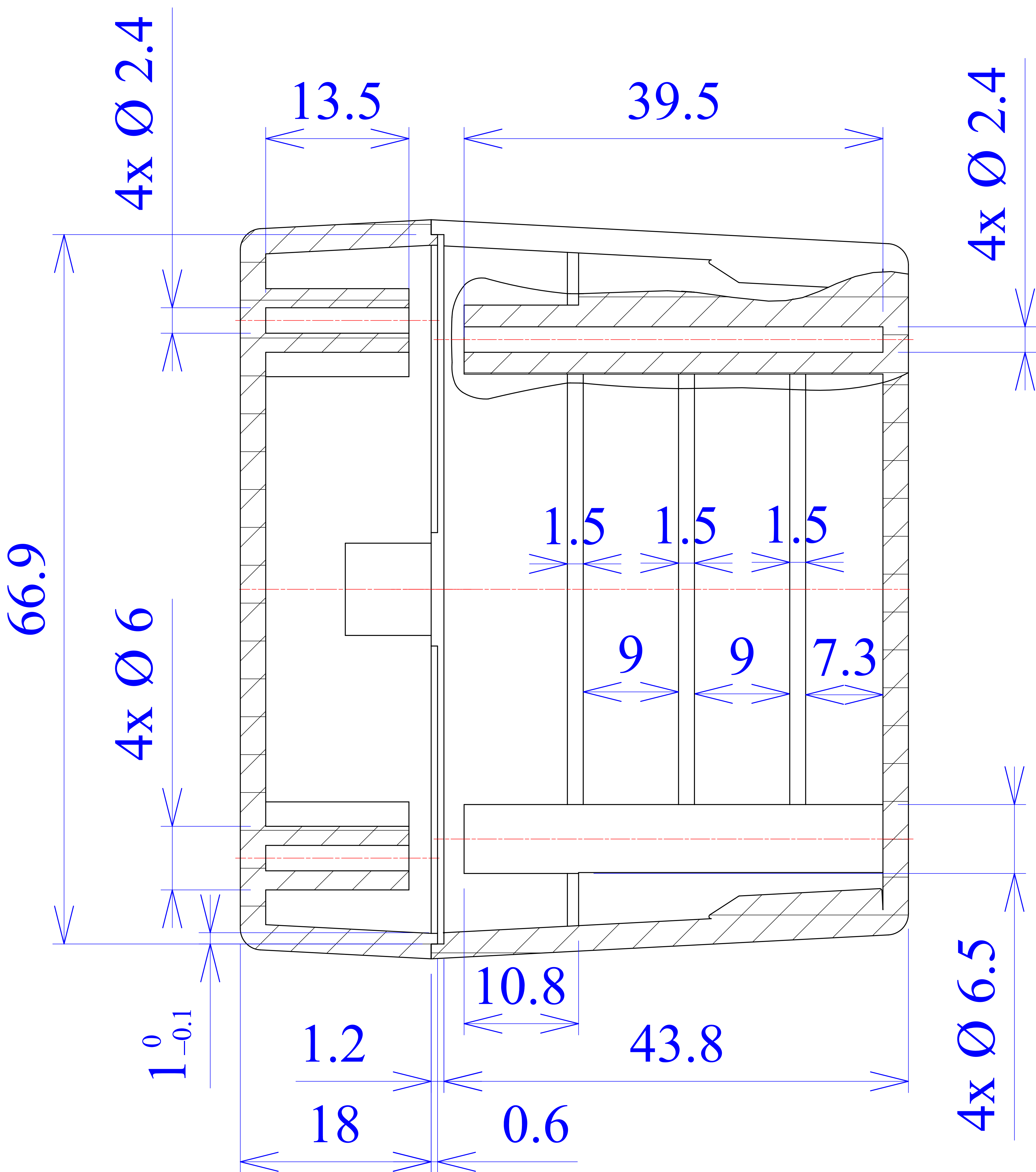


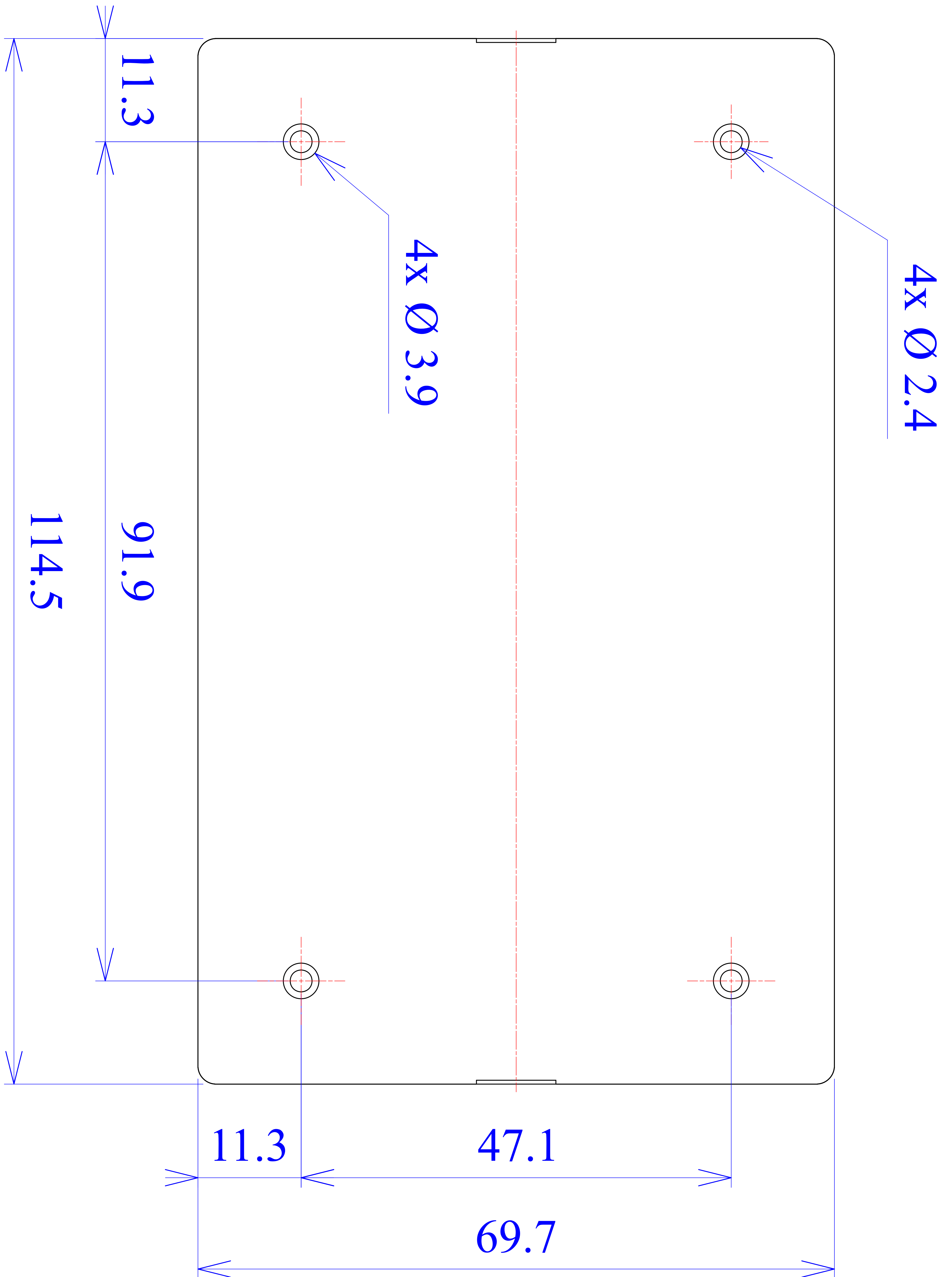




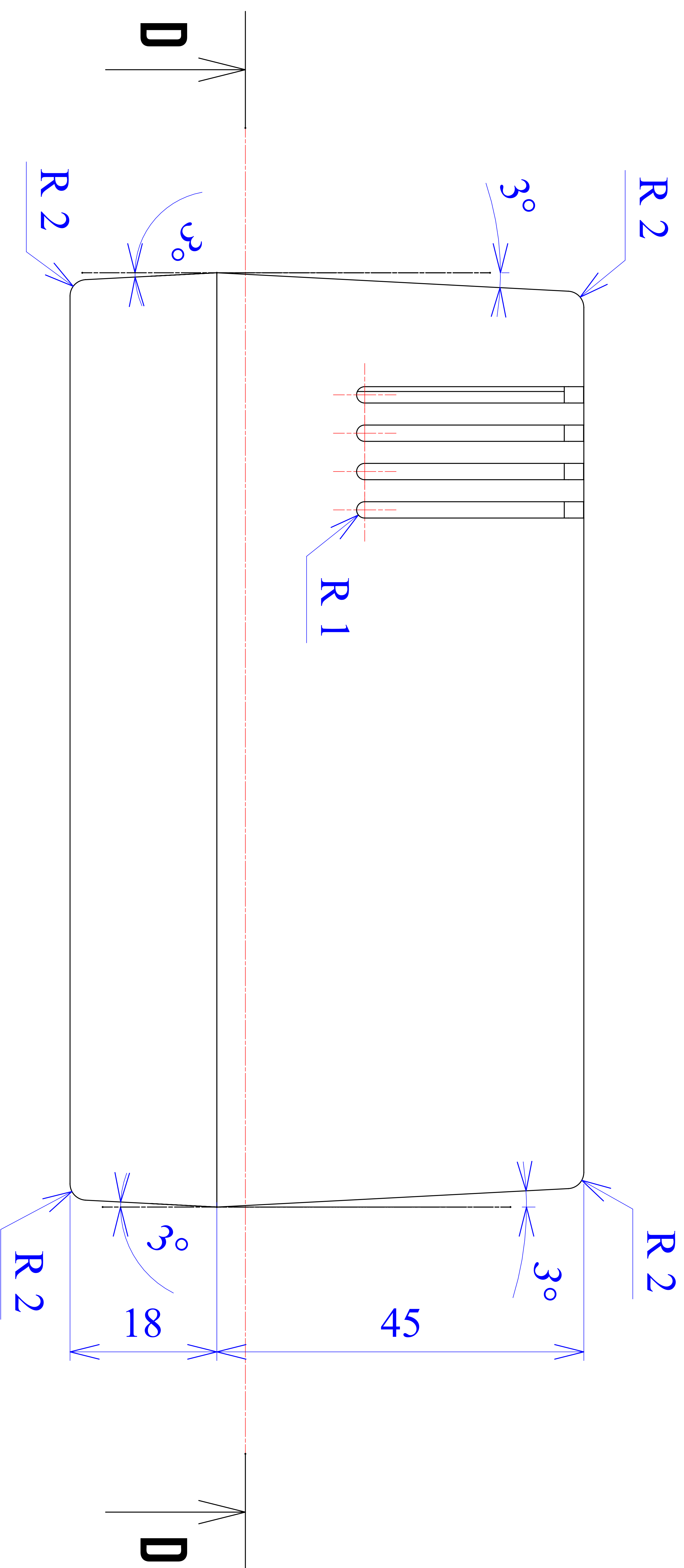


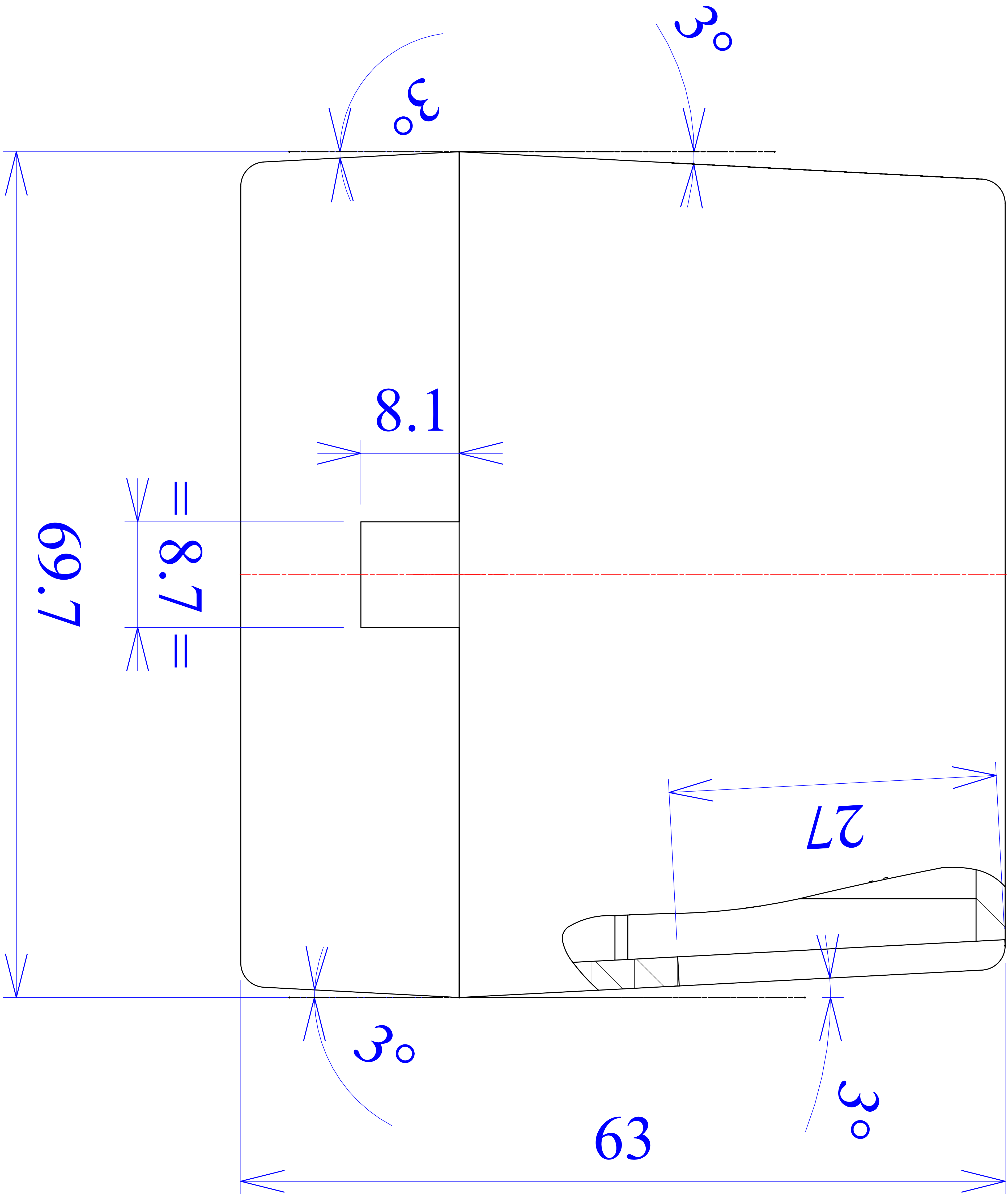
# B - B











C - C

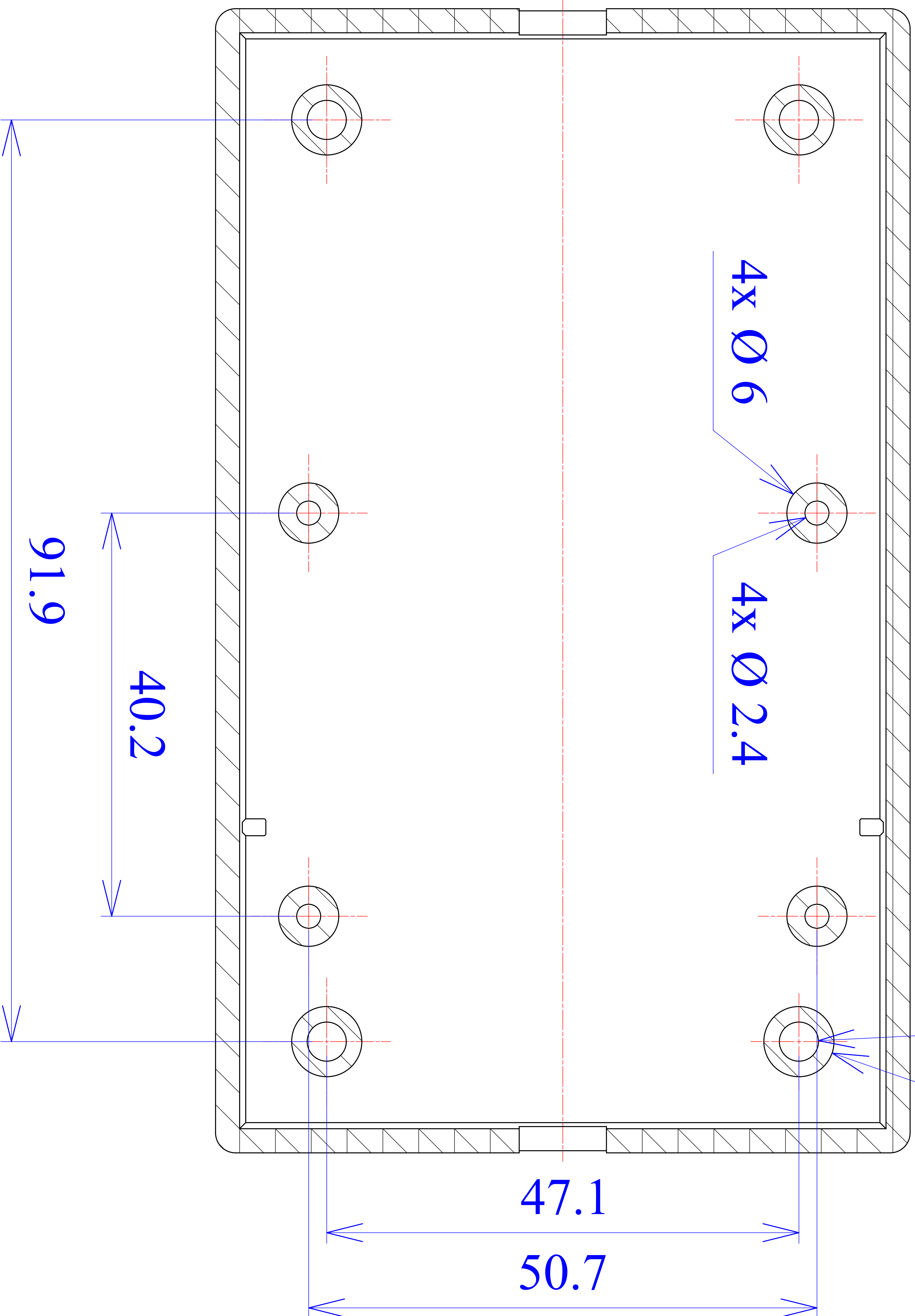
4x Ø 3.9

4x Ø 7

= 8.7 =

4x Ø 6

4x Ø 2.4



91.9

40.2

47.1

50.7