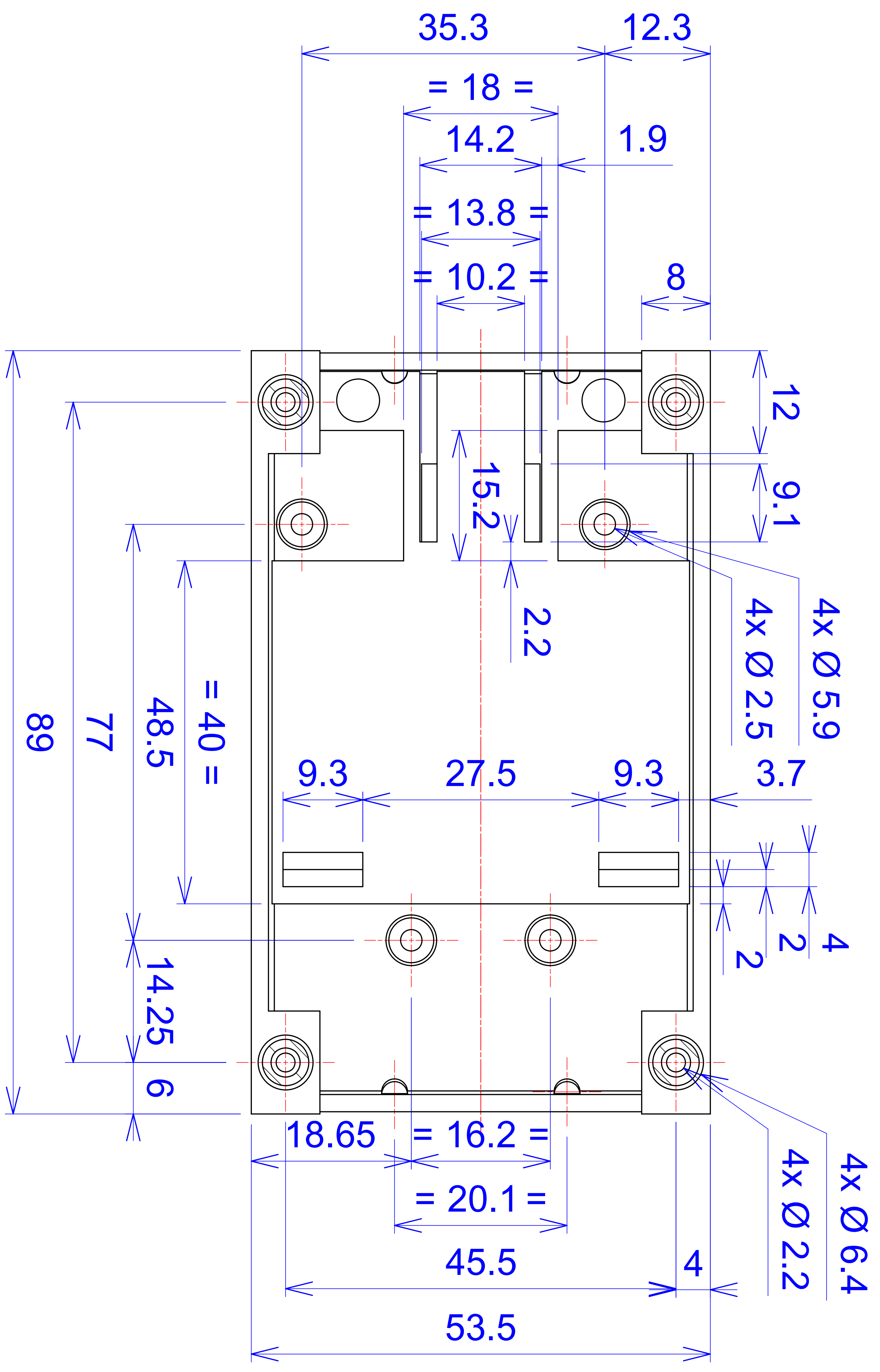
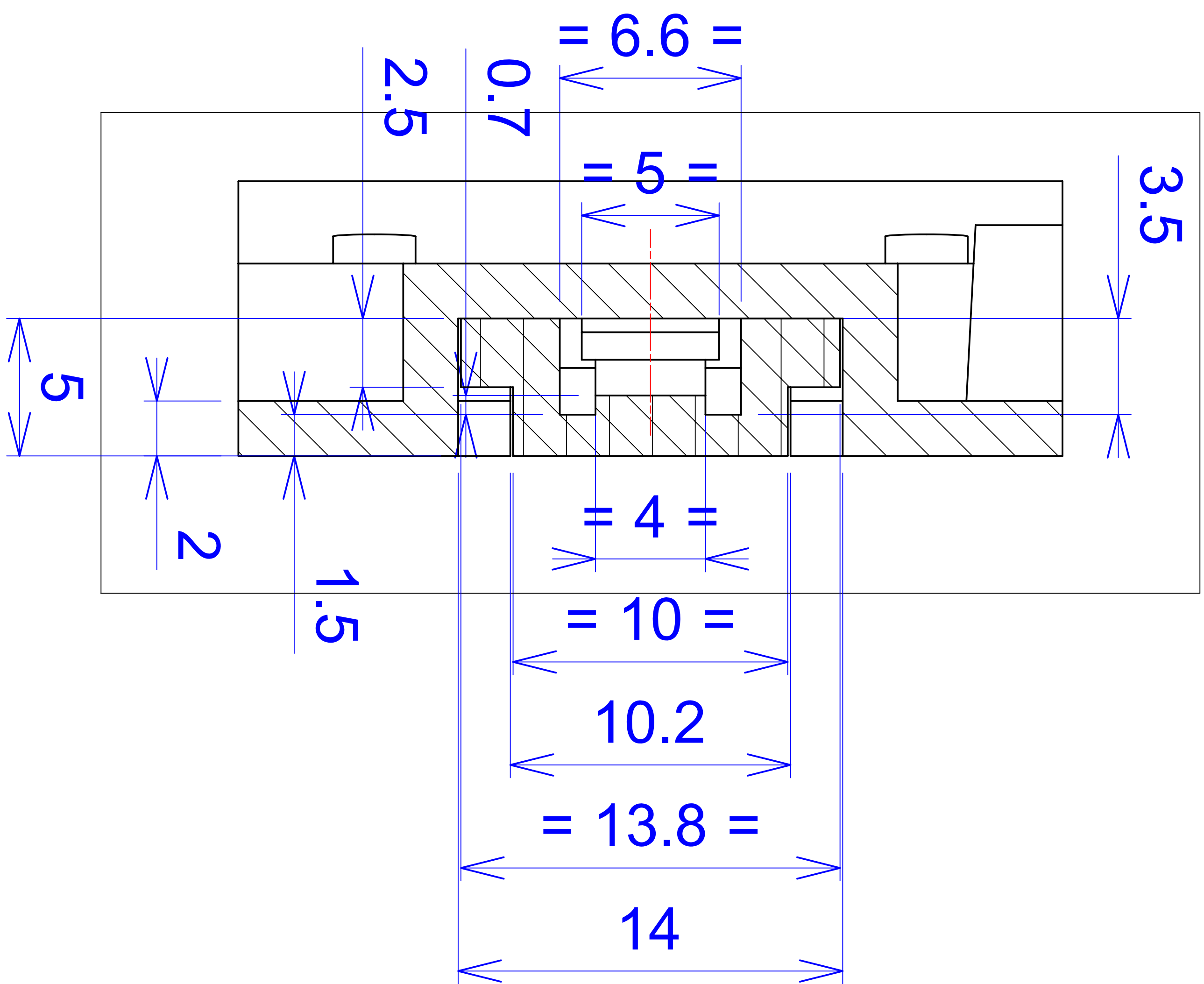




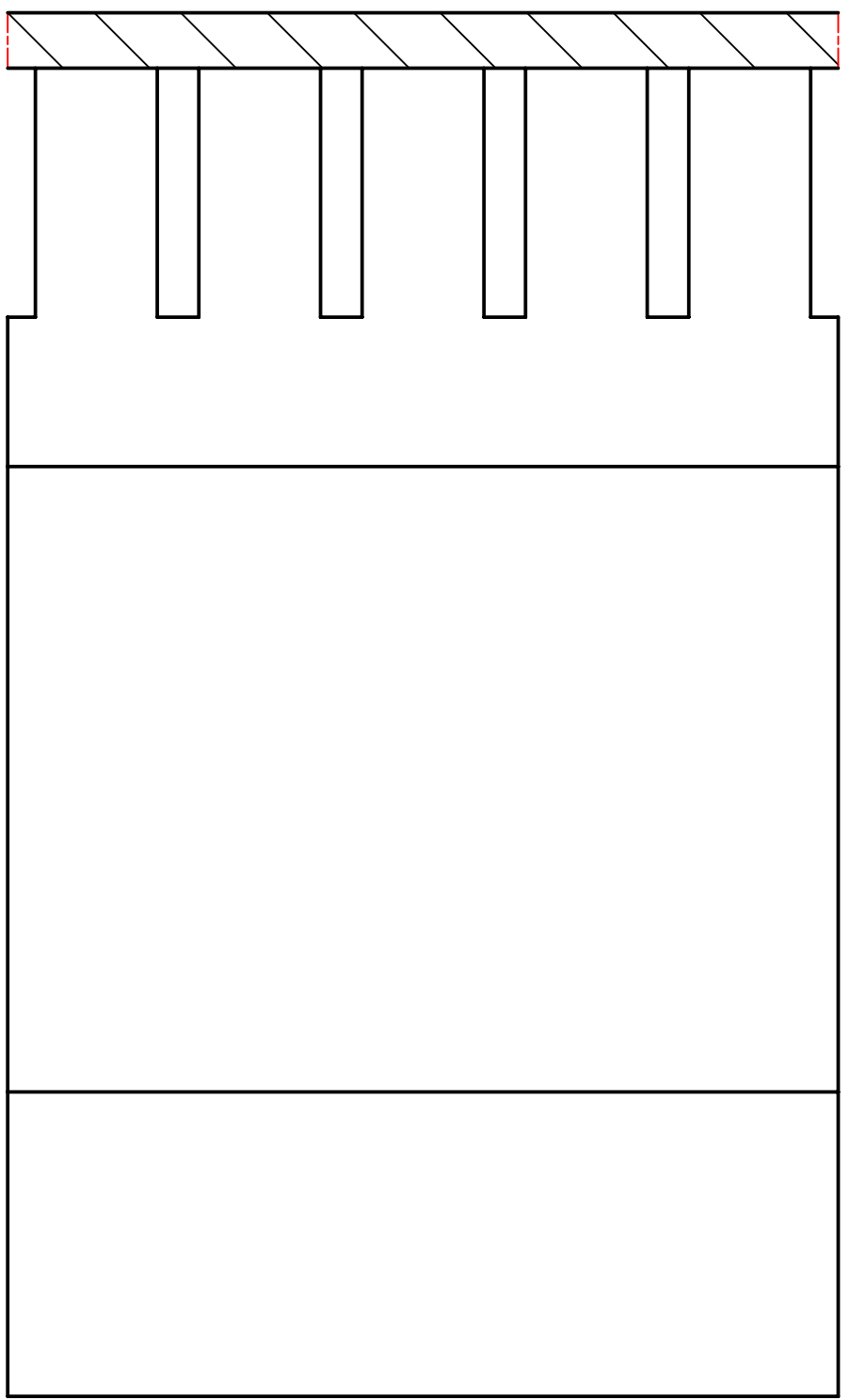
D - D



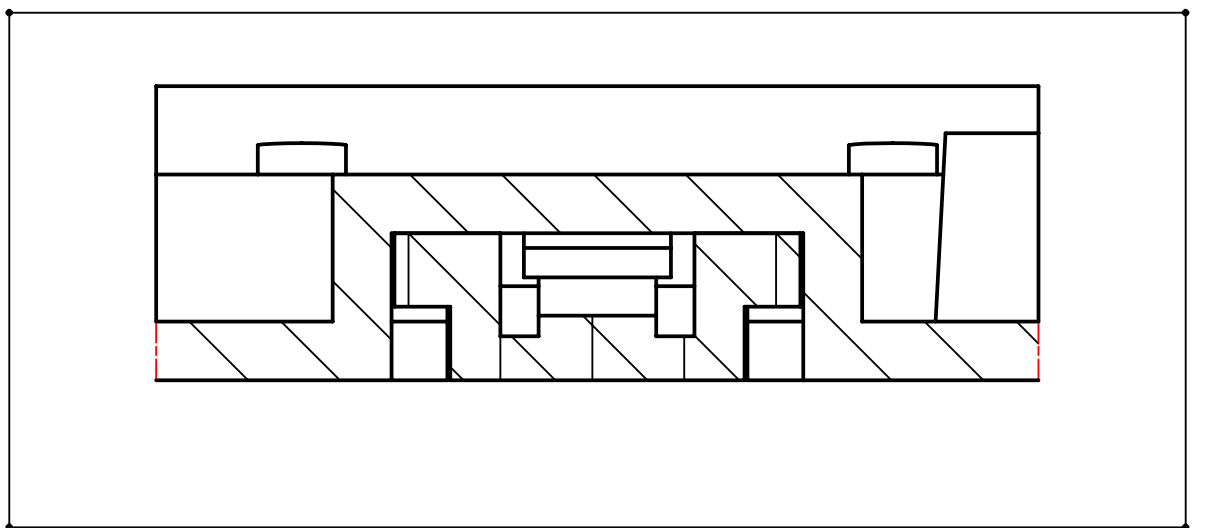




C



E-E



C

