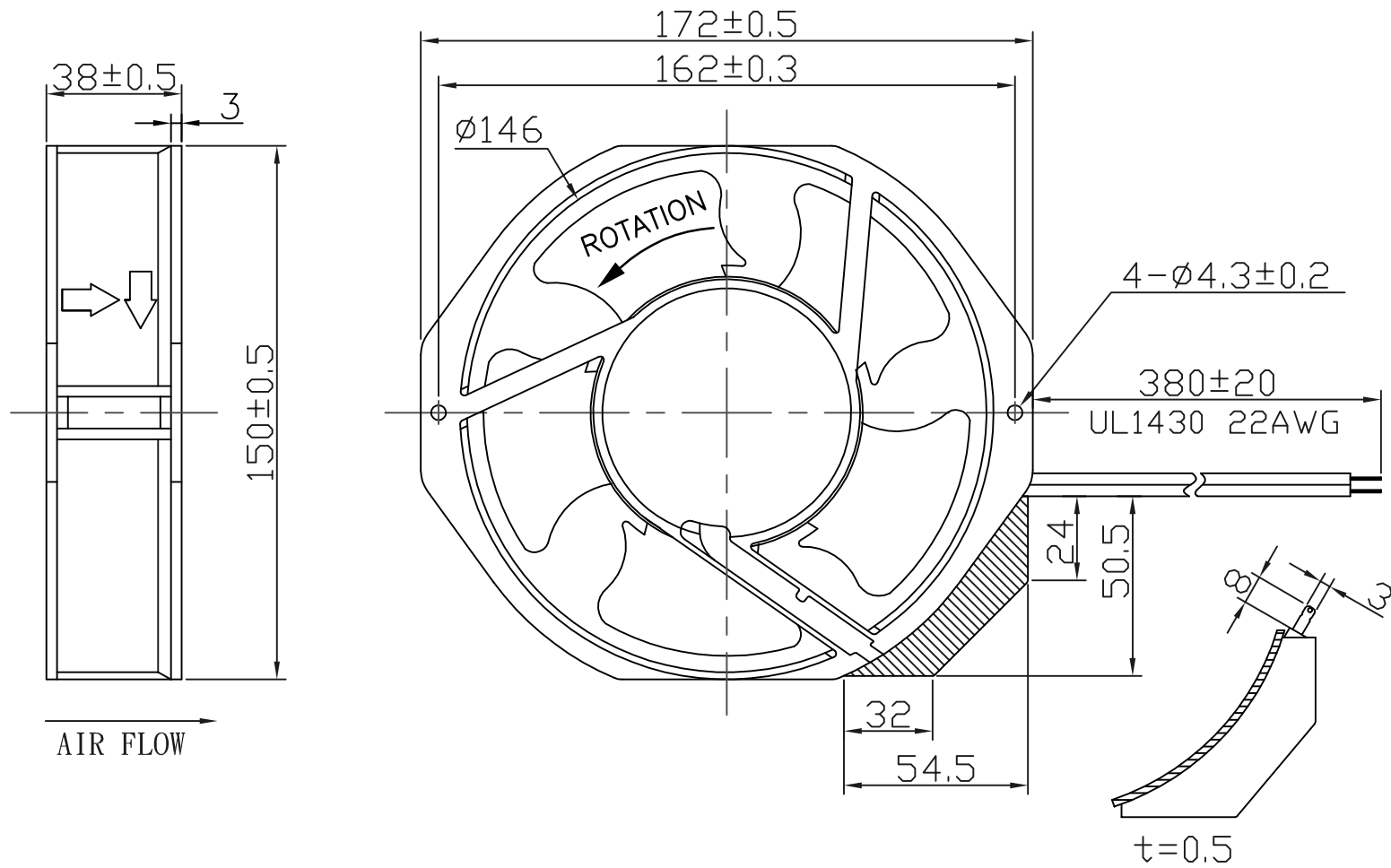


# SPECIFICATIONS

## FULLTECH ELECTRIC CO.,LTD

MODEL	UF-15A23-H
ITEM	
RATED VOLTAGE	AC230V
VOLTAGE RANGE	AC207-253V
SPEED(RPM)	50Hz 2750 RPM±10% 60Hz 3200 RPM±10%
RATED CURRENT	50Hz 0.25 A±10% 60Hz 0.19 A±10%
RATED INPUT	50Hz 39 W±10% 60Hz 31 W±10%
LOCKED CURRENT	50Hz 0.320 A±10% 60Hz 0.280 A±10%
MAX. AIR VOLUME	50Hz 166±10% CFM 60Hz 198±10% CFM
MAX. STATIC PRESSURE	50Hz 0.43±10% inH2O 60Hz 0.40±10% inH2O
OPERATING TEMP.	-40°C~+70°C
MAX. OPERATING HUMIDITY	85%
STORAGE TEMP.	-40°C~+80°C
ROTATING DIRECTION	ANTI-CLOCKWISE DIRECTION
BLOWING DIRECTION	EXHAUST OVER STRUTS
INSULATION RESISTANCE	DC 500 V 100MΩ
DIELECTRIC STRENGTH	AC 1500V / 1MIN.
NOISE	50Hz 50 dB±10% 60Hz 55 dB±10%
SAFETY PROTECTION	IMPEDANCE PROTECTION
INSULATION GRADE	CLASS B
BEARING	BALL BEARING
LIFE EXPECTANCY	OVER 40000 HOURS (40°C)
FRAME MATERIAL	ALUMINUM (ADC-12)
IMPELLER	PLASTIC 94V-0 PBT. COVERING GLASS FIBER
DIMENSION	172*150*38 mm
WEIGHT	0.78 KG.



Terminal or Lead wire Type

MODEL:UF15A

# UF - 15A23B - H

