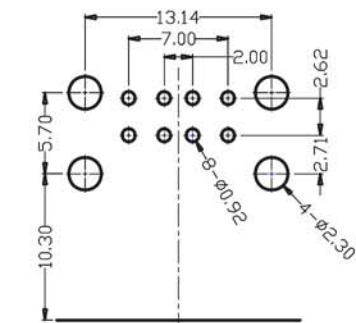
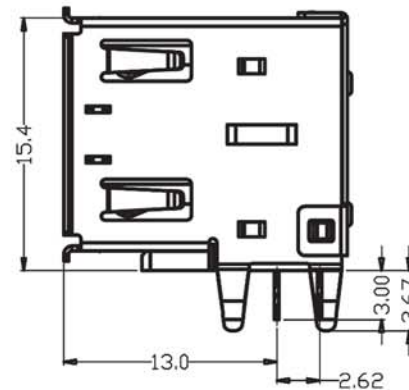
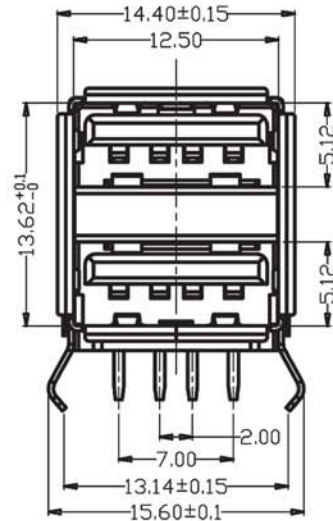
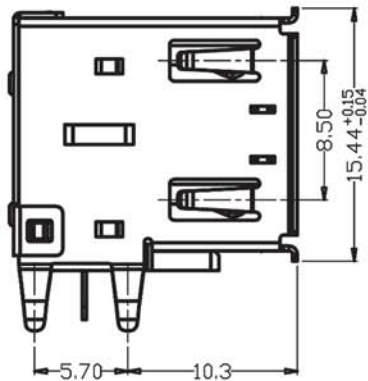
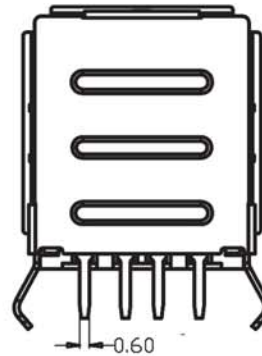
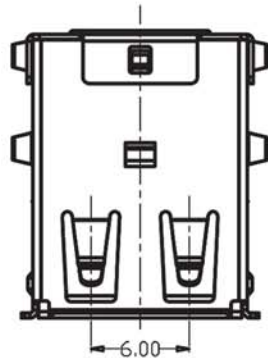
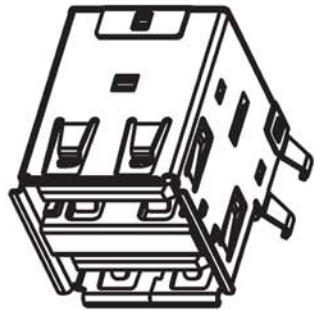
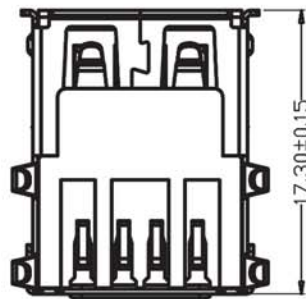


This document is the property of Amphenol Corporation and is delivered on the express condition that it is not to be disclosed, reproduced or used, in whole or in part, for the manufacture or sale by anyone other than Amphenol Corporation without its prior consent, and that no right is granted to disclose or to use any information in this document.



RECOMMEND P.C.B LAYOUT

Tolerance: +/-0.05mm



Specification:

Current rating: 1 A Max.

Voltage rating: 30V AC(rms)

Dielectric withstanding

voltage: 500 V(AC) for 1 min.

Contact resistance: 30 mΩ Max.

Insulation resistance: 1000 MΩ Min.

Total mating force: 3.5 Kgf Max.

Total unmating force: 1.0 Kgf Min.

Temperature range: -40°C~+85°C

Ordering Information

TUEA4F4D X B

X: Contact Plating

0: G/F

1: 10u" gold

2: 15u" gold

3: 30u" gold

6	CLIP	1	Steel	T=0.20	Nickel plated
5	Back-shell	1	SPCC	T=0.30	Nickel plated
4	Front-shell	1	Brass	T=0.30	Nickel plated
3	Contact-S	4	Brass	T=0.25	Selective Gold plated
2	Contact-L	4	Brass	T=0.25	Selective Gold plated
1	HOUSING	1	PBT(UL94V-0)		black
No.	Part Name	Q'ty	Material	Thickness	Finish

TOLERANCE (mm)	APPROVALS	DATE
X. ±0.3	DRW: Stephane	2015/Mar/05
X.X ±0.2	CHEK: Rob	2015/Mar/05
X.XX ±0.15	APPROV: Rob	2015/Mar/05
UNLESS OTHERWISE SPECIFIED	UNIT: mm	

TITLE		AMPHENOL	
USB A Type Female R/A Dip		Amphenol European Design Center	
Scale N.A.	Sheet 1 of 1		
SIZE: A4	DRAWING #	TUEA4F4DXB	REV. D