



Ordering number	CA11348		
Description	CA11348_Strada-C-tape		
Family	Strada-C	FWHM	122 degrees
Type	Lens	Efficiency	91 %
LED	CL-L400	cd/lm	-
Color	Transparent	Gerber File	Available
Diameter	19.6 x 15.6 mm		
Height	6.8 mm		
Style	Rectangular		
Optic Material	PMMA		
Holder Material	-		
Fastening	-		
Status	Ready		

Ordering number	C11277		
Description	C11277-Strada-C		
Family	Strada-C	FWHM	122 degrees
Type	Lens	Efficiency	91 %
LED	CL-L400	cd/lm	-
Color	Transparent	Gerber File	Available
Diameter	19.6 x 15.5 mm		
Height	6.9 mm		
Style	Rectangular		
Optic Material	PMMA		
Holder Material	-		
Fastening	-		
Status	Ready		

NOTE: The typical divergence will be changed by different color, chip size and chip position tolerance. The typical total divergence is the full angle measured where the luminous intensity is half of the peak value.



PRODUCT DATASHEET Strada-C-N83 series

CITIZEN

GENERAL INFORMATION

- Product series especially designed & optimized for CL-L400 series of LEDs.
- Special care taken to make light distribution as uniform as possible.
- Lens material optical grade PMMA with high UV and temperature resistance (105 degrees of Celcius / 220 degrees of Fahrenheit). Allows use of high current and temperature conditions.

Please find more information about used material from below:

http://ledil.fi/sites/default/files/Documents/Technical/Material/PMMA%20N%20UL94_Yellow%20Card.pdf

<http://ledil.fi/sites/default/files/Documents/Technical/Material/PMMA%20N%20PLEXIGLAS-Datasheet.pdf>

D

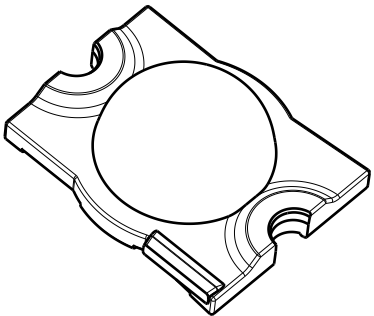
C

B

A

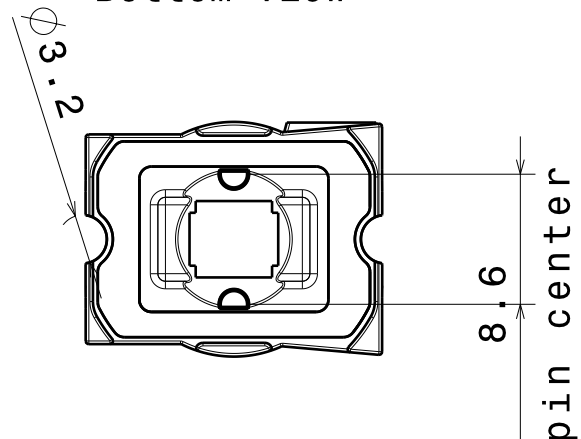
4

4

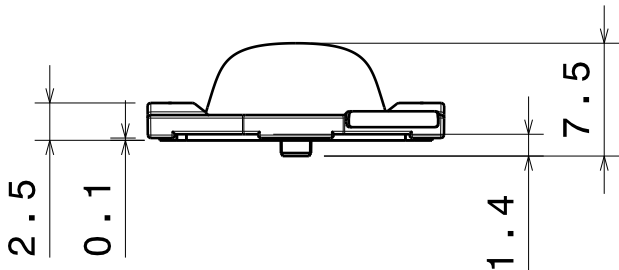


Isometric view

Bottom view

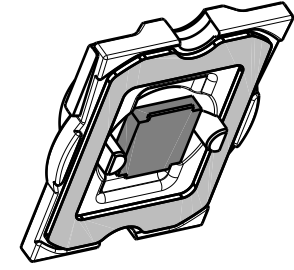


Front view



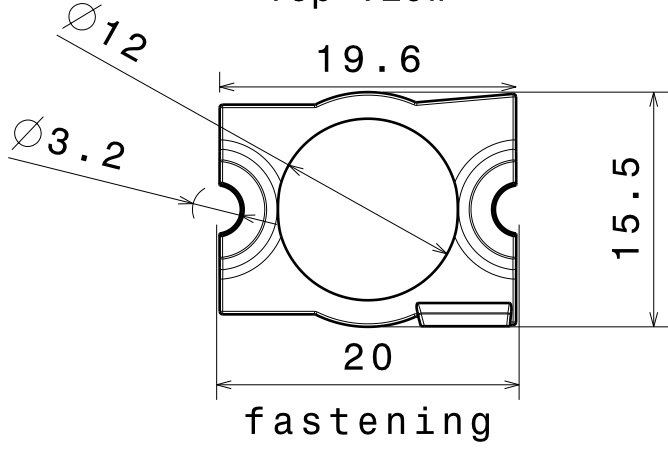
3

3



Isometric view

Top view



2

2

Material: PMMA

Part no. lens only:
C11277 (height: -0.15mm)

This drawing is our property.
It can't be reproduced
or communicated without
our written agreement.



Ledil Oy
Tehdaskatu 13
FIN-24100 SALO
Finland

DRAWING TITLE

Datasheet Strada-C-N83 Assy

1

1

DRAWN BY
ol

DATE
16.12.2009

CHECKED BY
hh

DATE
16.12.2009

SIZE
A4

DRAWING NUMBER
CA11348

REV
1

DESIGNED BY
ol

DATE
16.12.2009

SCALE 2:1

WEIGHT (g)

SHEET 1/1

D

A