

■ **Features**

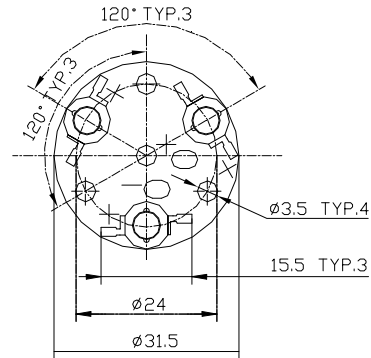
- High Power Output
- Big Emitting Angle
- Long Life
- Quick Response
- Superior ESD Protection
- Superior UV Resistance

■ **Applications**

- Small Space Lighting
- Auto Lighting
- Light Source for Optical Fiber

■ **Outline Size**

Unit: mm  
Tolerance:  $\pm 0.30$ mm



■ **Absolute Maximum Rating**

(Ta=25°C)

Item	Symbol	Value	Unit
Operating Temperature	Tope	-30 ~ +85	°C
Storage Temperature	Tstg	-40~ +100	°C
Input Voltage(DC)	V <sub>i</sub>	12	V
Input Current(DC)	I <sub>i</sub>	400	mA
Power Dissipation	Pa	4.8	W
Color Rendering Index	Ra	70~80	

■ **Picture**

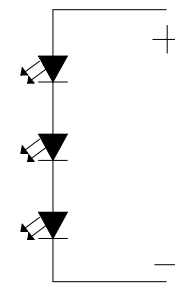


■ **Electrical -Optical Characteristics**

(Ta=25°C)

Item	Symbol	Condition	Min.	Typ.	Unit
Input Voltage(DC)	V <sub>i</sub>	-	9	10	V
Input Current(DC)	I <sub>i</sub>	-	150	350	mA
Power Dissipation	Pa	-	1.35	3.5	W
Color Temperature	CCT	I <sub>f</sub> =350mA	-	6500	K
Whole Luminous Flux*	Φ <sub>v</sub>	I <sub>f</sub> =350mA	-	300	lm
Beam Pattern	BP	-	-	120	Deg
Net Weight	Wei	-	-	5	g

■ **Circuit**



\*Tolerance of luminous intensity is  $\pm 15$

AUTO LED Application Technologies

