

MATERIALS AND FINISHES

SMA CONNECTOR

BODY BRASS
PLATED GOLD

CENTER CONTACT PHOSPHOR BRONZE
PLATED GOLD

INSULATOR TEFLON

JAM NUT BRASS
PLATED GOLD

LOCK WASHER SPCC
PLATED GOLD

MCRF CONNECTOR

HOUSING PHOSPHOR BRONZE
PLATED SEE TABLE

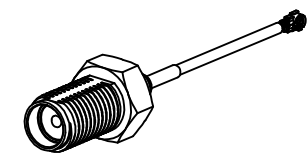
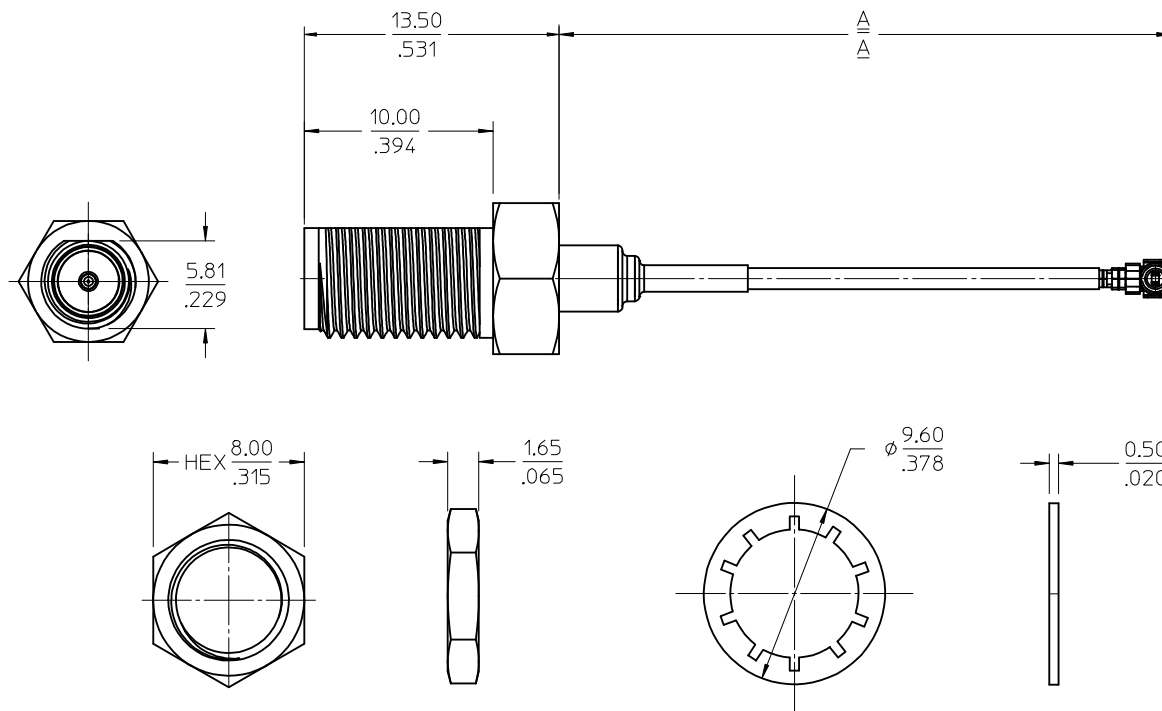
HOUSING PBT

CENTER CONTACT PHOSPHOR BRONZE
PLATED GOLD

CABLE

1.13 CABLE OR EQUIVALENT
COLOR GRAY

SHRINK TUBE
VERSAFIT V2



89761-3417	GOLD	7.087±.197	180.00±5.00	POLY BAG
89761-3416	GOLD	6.693±.197	170.00±5.00	POLY BAG
89761-3415	GOLD	3.000±.197	76.20±5.00	POLY BAG
89761-3414	GOLD	5.905±.197	150.00±5.00	POLY BAG
89761-3413	GOLD	11.811±.197	300.00±5.00	POLY BAG
89761-3412	GOLD	3.937±.197	100.00±5.00	POLY BAG
89761-3411	GOLD	7.874±.197	200.00±5.00	POLY BAG
89761-3440	SILVER	3.937±.197	100.00±5.00	-----
PART NO.	UFL PLATING	IN	MM	PACKING

OBSOLETE

MIL-STD-348A, FIG. 310.2	INTERFACE
SPECIFICATION	DESCRIPTION

CHG: ADDED PACKING DESCRIPTION EWR RF16-E018 EC NO: URF2016-0519 DRWN: YCHENG 2016/01/18 CHKD: APPR: YCHENG 2016/01/19 DESCRIPTION	QUALITY SYMBOLS ▽=0 ▽=0	GENERAL TOLERANCES (UNLESS SPECIFIED)	DIMENSION STYLE MM/IN	SCALE	DESIGN UNITS METRIC	THIRD ANGLE PROJECTION																
		<table border="1"> <tr> <th></th> <th>mm</th> <th>INCH</th> </tr> <tr> <td>4 PLACES</td> <td>± .005</td> <td>± .0005</td> </tr> <tr> <td>3 PLACES</td> <td>± .004</td> <td>± .0004</td> </tr> <tr> <td>2 PLACES</td> <td>± .003</td> <td>± .0003</td> </tr> <tr> <td>1 PLACE</td> <td>± .002</td> <td>± .0002</td> </tr> </table>			mm	INCH	4 PLACES	± .005	± .0005	3 PLACES	± .004	± .0004	2 PLACES	± .003	± .0003	1 PLACE	± .002	± .0002	DRAWN BY EVITA	DATE 2008/12/01	TITLE SMA JACK TO MCRF 1.13 CABLE CA-SMA/MCRF	MOLEX INCORPORATED SD-89761-341 SHEET NO. 1 OF 1
			mm	INCH																		
		4 PLACES	± .005	± .0005																		
3 PLACES	± .004	± .0004																				
2 PLACES	± .003	± .0003																				
1 PLACE	± .002	± .0002																				
ANGULAR ± 2 °		APPROVED BY MISEN	DATE 2008/12/01	MATERIAL NO. SEE TABLE	DOCUMENT NO.																	
DRAFT WHERE APPLICABLE MUST REMAIN WITHIN DIMENSIONS		THIS DRAWING CONTAINS INFORMATION THAT IS PROPRIETARY TO MOLEX INCORPORATED AND SHOULD NOT BE USED WITHOUT WRITTEN PERMISSION																				
A10																						

MATERIALS AND FINISHES

SMA CONNECTOR

BODY BRASS
PLATED GOLD

CENTER CONTACT PHOSPHOR BRONZE
PLATED GOLD

INSULATOR TEFLON

JAM NUT BRASS
PLATED GOLD

LOCK WASHER SPCC
PLATED GOLD

MCRF CONNECTOR

HOUSING PHOSPHOR BRONZE
PLATED SEE TABLE

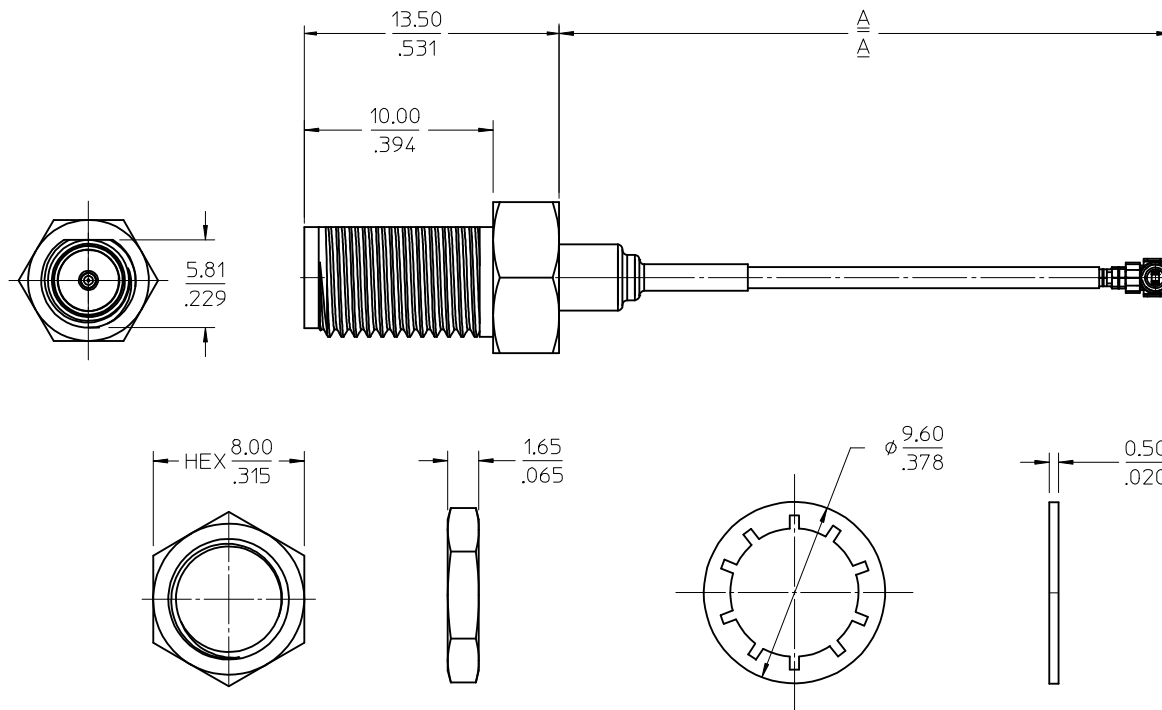
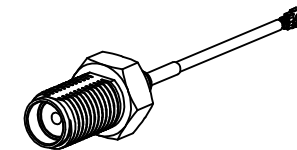
HOUSING PBT

CENTER CONTACT PHOSPHOR BRONZE
PLATED GOLD

CABLE

1.13 CABLE OR EQUIVALENT
COLOR GRAY

SHRINK TUBE
VERSAFIT V2



89761-3417	GOLD	7.087±.197	180.00±5.00	POLY BAG
89761-3416	GOLD	6.693±.197	170.00±5.00	POLY BAG
89761-3415	GOLD	3.000±.197	76.20±5.00	POLY BAG
89761-3414	GOLD	5.905±.197	150.00±5.00	POLY BAG
89761-3413	GOLD	11.811±.197	300.00±5.00	POLY BAG
89761-3412	GOLD	3.937±.197	100.00±5.00	POLY BAG
89761-3411	GOLD	7.874±.197	200.00±5.00	POLY BAG
89761-3440	SILVER	3.937±.197	100.00±5.00	-----
PART NO.	UFL PLATING	IN	MM	PACKING

OBSOLETE

MIL-STD-348A, FIG. 310.2	INTERFACE
SPECIFICATION	DESCRIPTION

CHG: ADDED PACKING DESCRIPTION EWR RF16-E018 EC NO: URF2016-0519 DRWN: YCHENG 2016/01/18 CHKD: APPR: YCHENG 2016/01/19 DESCRIPTION REV: A10	QUALITY SYMBOLS ▽=0 ▽=0	GENERAL TOLERANCES (UNLESS SPECIFIED) mm INCH 4 PLACES ± --- ± --- 3 PLACES ± --- ± --- 2 PLACES ± --- ± --- 1 PLACE ± --- ± --- ANGULAR ± 2 °	DIMENSION STYLE MM/IN DRAWN BY DATE EVITA 2008/12/01 CHECKED BY DATE JOANNE 2008/12/01 APPROVED BY DATE MISEN 2008/12/01	SCALE DESIGN UNITS METRIC THIRD ANGLE PROJECTION	TITLE SMA JACK TO MCRF 1.13 CABLE CA-SMA/MCRF	
		DRAFT WHERE APPLICABLE MUST REMAIN WITHIN DIMENSIONS		MATERIAL NO. SEE TABLE	DOCUMENT NO. SD-89761-341	SHEET NO. 1 OF 1
		THIS DRAWING CONTAINS INFORMATION THAT IS PROPRIETARY TO MOLEX INCORPORATED AND SHOULD NOT BE USED WITHOUT WRITTEN PERMISSION				
		MOLEX INCORPORATED				