

Safety isolating transformer, IP44



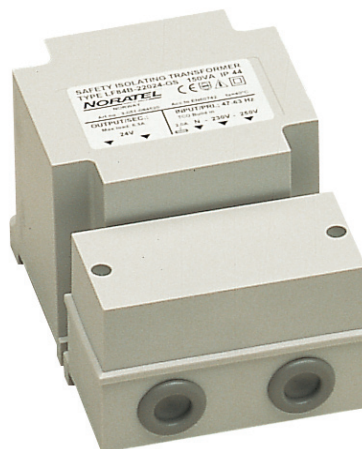
Type LF-GS

Single-phase short circuit proof safety isolating transformer designed and tested according to norm EN61558-2-6. Separate insulated windings moulded in self extinguishing Polyurethane.

Short circuit protected with glass tube fuse and protected against unusually high operation temperature with thermal "cut-out". For fixed installation, simple and easy mounting on wall or ceiling. Variable secondary output by using the 230 or 250 Volt primary output by using the 230 or 250 Volt primary terminals.

Applications:

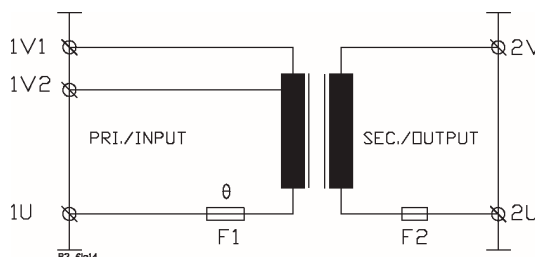
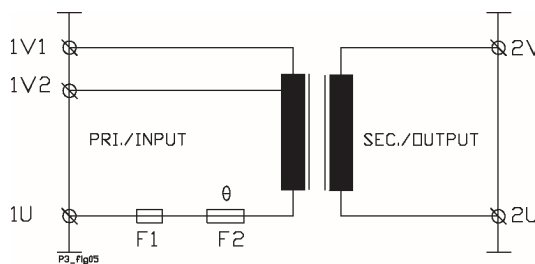
Designed for SELV installation which require safety isolating transformer approved according to the CE directives. Typical alarm equipment, automation, floor heaters etc., can also be used in halogen lighting installations.



Technical specifications

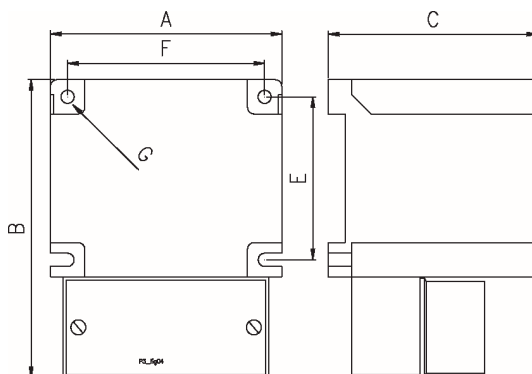
- Input voltage: 230-250V
- Frequency: 47-63Hz
- Output voltage: 6-8V, 12V, 17V
24V, 32V, 42-48V
- According to: EN61558-2-6
- Test/insulating voltage: 4kV AC RMS
- Construction class: II
- Insulation class: B (130°C)
- Ambient temp. (t_a): 40°C
- Degree of protection: IP44

Wiring diagram



LF66A-, LF66B-

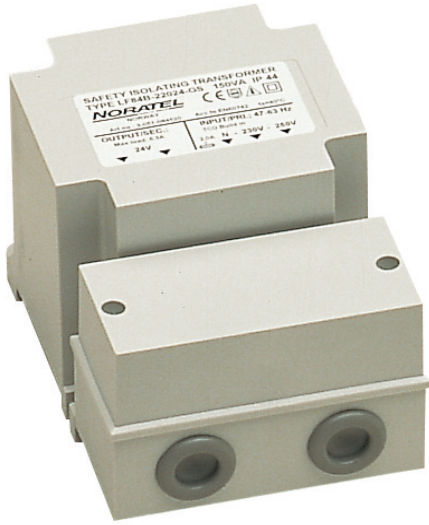
Dimensions



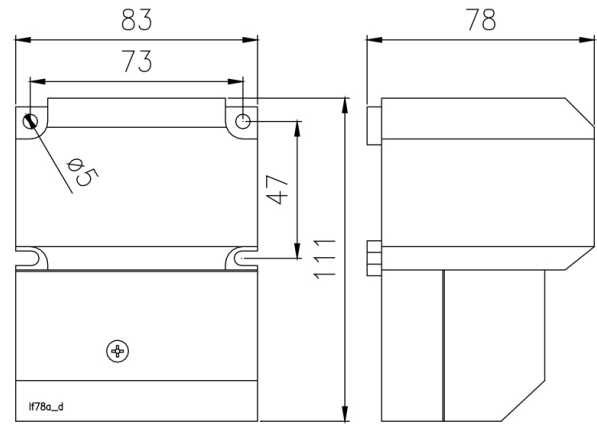
Type	Voltage Sec. (V)	Current Sec. (A)	Power (VA)	Fuse (A)	Dimensions AxBxC (mm)	Weight (Kg)	Art. no.
230-250/6-8 V							
LF66B-22008-GS	6-8	8	60	8	73x124x61	1,3	3-052-066508
LF84A-22008-GS	6-8	13	105	1,6	92x113x83	1,8	3-052-084008
230-250/12 V							
LF66A-22012-GS *	12	3,2	35	3,15	73x124x61	1,0	3-050-066010
LF66B-22012-GS *	12	5,0	60	6	73x124x61	1,3	3-050-066510
LF78A-22012-GS	12	6,3	75	1	83x108x78	1,4	3-050-078010
LF84A-22012-GS	12	9,0	105	1,6	92x113x83	1,8	3-050-084010
LF84B-22012-GS	12	12,5	150	2	92x130x87	2,4	3-050-084510
LF96B-22012-GS	12	17,5	210	3,15	106x134x93	3,2	3-050-096010
LF96C-22012-GS	12	22	260	3,15	106x153x98	4,2	3-050-096510
LF96CH-22012-GS	12	25	300	3,15	106x153x98	4,2	3-050-096810
LF120C-22012-GS	12	42	500	5	130x202x115	8,0	3-050-120010
230/16,5 V							
LF42-2,5 *	16,5	2,5	42		73x124x61	1,3	3-050-500015
230-250/17 V							
LF66A-22017-GS *	17	2,1	35	2	73x124x61	1,0	3-052-066017
LF78A-22017-GS	17	4,4	75	1	83x108x78	1,4	3-052-078017
230/24 V							
LF24-1 *	24	1	24		73x124x61	1,1	3-050-500005
LF48-2 *	24	2	48		73x124x61	1,3	3-050-500020
LF60-2,5B *	24	2,5	60		73x124x61	1,3	3-051-066521
230-250/24 V							
LF66A-22024-GS *	24	1,5	35	1,6	73x124x61	1,0	3-051-066020
LF66B-22024-GS *	24	2,5	60	2,5	73x124x61	1,3	3-051-066520
LF78A-22024-GS	24	3,2	75	1	83x108x78	1,4	3-051-078020
LF84A-22024-GS	24	4,5	105	1,6	92x113x83	1,8	3-051-084020
LF84B-22024-GS	24	6,3	150	2	92x130x87	2,4	3-051-084520
LF96B-22024-GS	24	8,8	210	3,15	106x134x93	3,2	3-051-096020
LF96C-22024-GS	24	11	260	3,15	106x153x98	4,2	3-051-096520
LF96CH-22024-GS	24	12,5	300	3,15	106x153x98	4,2	3-051-096820
LF120C-22024-GS	24	20	500	5	130x202x115	8,0	3-051-120020
LF150B-22024-GS	24	31	750	6,3	162x235x140	12,0	3-051-150020
LF150C-22024-GS	24	42	1000	8	162x235x140	12,0	3-051-150520
230-250/32 V							
LF78A-22032-GS	32	2,3	75	1	83x108x78	1,4	3-052-078032
LF84B-22032-GS	32	4,6	150	2	92x130x87	2,4	3-052-084532
LF96C-22032-GS	32	8,1	260	3,15	106x153x98	4,2	3-052-096532
LF120C-22032-GS	32	15,6	500	5	130x202x115	8,0	3-052-120032
LF150C-22032-GS	32	31	1000	8	162x235x140	14,8	3-052-150530
LF150CH-22032-GS	32	37,5	1200	8	162x235x140	14,8	3-052-150830
230-250/42-48 V							
LF66B-2204248-GS	42-48	1,25	60	1,25	73x124x61	1,3	3-052-066548
LF84B-2204248-GS	42-48	3,1	150	2	92x130x87	2,4	3-052-084548
LF96C-2204248-GS	42-48	5,4	260	3,15	106x153x98	4,2	3-052-096548
LF120C-2204248-GS	42-48	10,4	500	6	130x202x115	8,0	3-052-120048
LF150C-2204248-GS	42-48	20,8	1000	8	162x235x140	14,8	3-052-150548

Information on losses and short-circuit currents on page I-18 & I-19

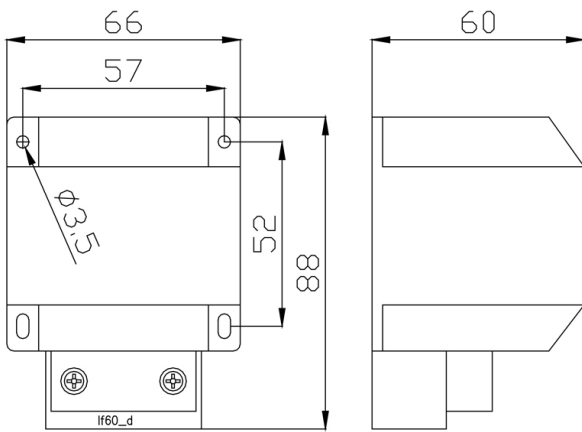
Safety isolating transformer, IP44



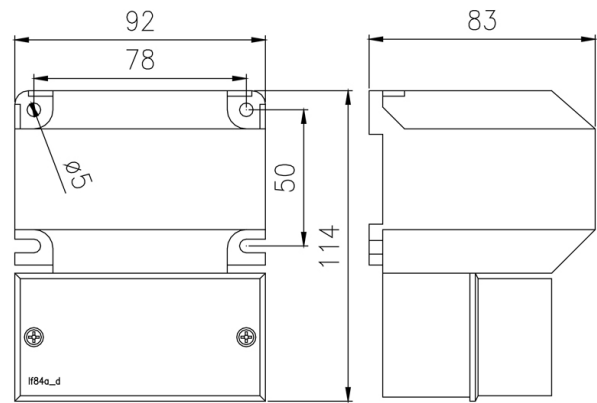
LF78A



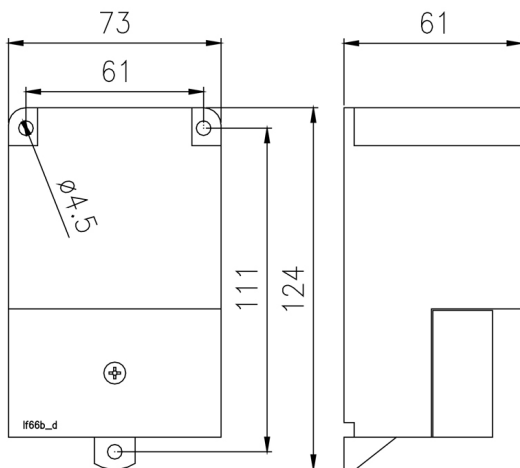
LF60



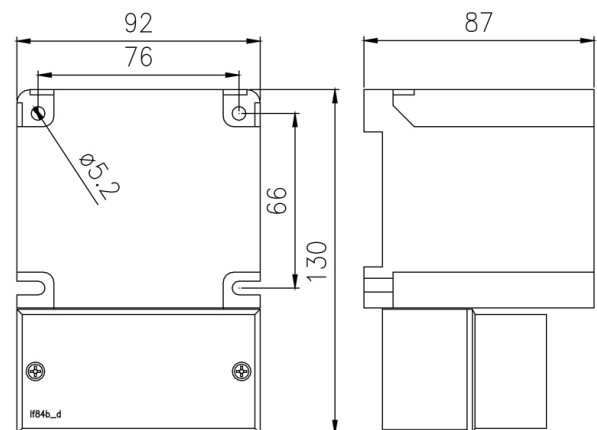
LF84A



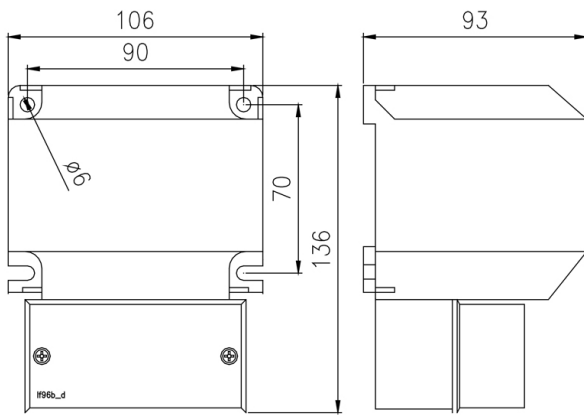
LF66A / LF66B



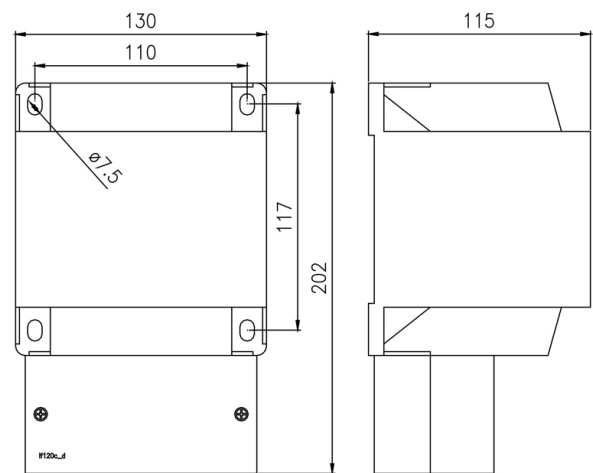
LF84B



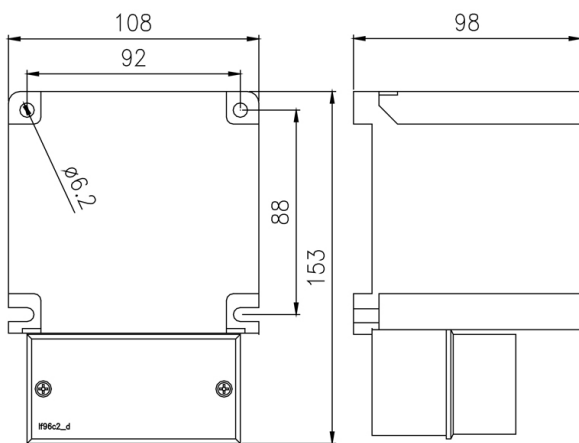
LF96B



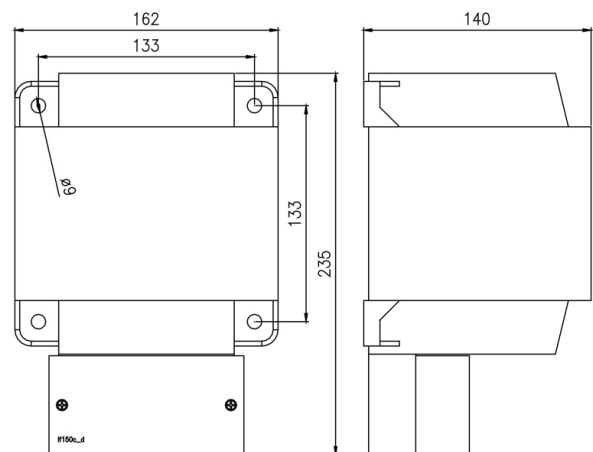
LF120C



LF96C2 / LF96CH2



LF150B / LF150C / LF150CH



LF96C / LF96CH

