

2.30"(56.80mm)Single Digit 7 Segment Display

Features:

- *Ultra segment intensity
- *Wide viewing angle
- *Range of colors
- *Black face White segment
- *RoHS compliant

Available option:

- *Alternative face and segment color
- *Alternative font
- *Cropped terminal pins
- *Available emitting color
- *Low current version

Electro/Optical Characteristics If=20mA Ta=25°C

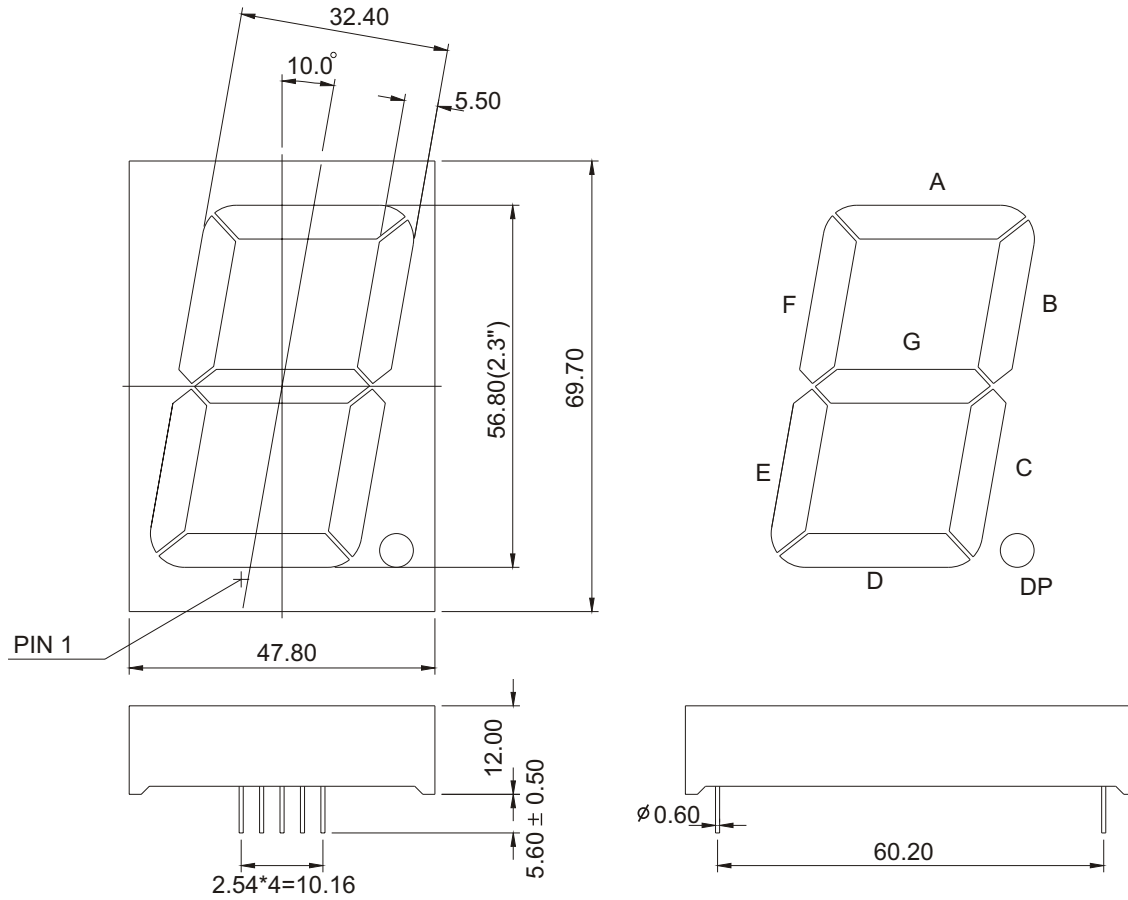
Part Number Common Cathode	Part Number Common Anode	Emitting Color	Peak Wavelength	Forward Voltage Vf/Seg.(DP)		Luminous Intensity Iv/Seg.(DP)	
				Typ.	Max.	Min.	Typ.
LD-S230UHR-C-C	LD-S230UHR-C-A	AlGaInP/GaAs Ultra Red	640	8.00 (4.00)	10.00(5.00)	160.00(80.00)	240.00(120.00)
LD-S230UO-C-C	LD-S230UO-C-A	AlGaInP/GaAs Ultra Orange	632	8.00 (4.00)	10.00(5.00)	160.00(80.00)	240.00(120.00)
LD-S230UA-C-C	LD-S230UA-C-A	AlGaInP/GaAs Ultra Amber	605	8.00 (4.00)	10.00(5.00)	160.00(80.00)	240.00(120.00)
LD-S230UY-C-C	LD-S230UY-C-A	AlGaInP/GaAs Ultra Yellow	590	8.00 (4.00)	10.00(5.00)	160.00(80.00)	240.00(120.00)
LD-S230UG-C-C	LD-S230UG-C-A	AlGaInP/GaAs Ultra Green	574	8.40 (4.20)	10.00(5.00)	100.00(50.00)	160.00(80.00)
LD-S230UPG-C-C	LD-S230UPG-C-A	InGaN/SiC Pure Green	525	13.20 (6.60)	15.20(7.60)	600.00(300.00)	800.00(400.00)
LD-S230UB-C-C	LD-S230UB-C-A	InGaN/SiC Ultra Blue	470	13.20 (6.60)	15.20(7.60)	160.00(80.00)	400.00(200.00)
LD-S230UW-C-C	LD-S230UW-C-A	InGaN/SiC Ultra White	X-0.31/Y-0.31	13.20 (6.60)	15.20(7.60)	800.00(400.00)	2000.0(1000.0)
Units			nm	V		mcd	

Maximum Ratings Ta=25°C (Derate above 25°C)

Characteristic	Test Condition	Symbol	UHR	UO	UA	UY	UG	UPG	UB	UW	Units
Pulse Forward Current Per Seg.	1/10 duty cycle 0.1ms Pulse width	I _{FP}	100	100	100	100	100	100	100	100	mA
DC Forward Current Per Seg.		I _F	30	30	30	30	30	30	30	30	mA
Reverse Current Per Seg.	V _R =10V	I _R	10	10	10	10	10	10	10	10	μA
Power Dissipation		P _D	65*30	65*30	65*30	65*30	75*30	110*30	120*30	120*30	mW
Operating Temperature		T _{OPR}	-40 to +80								°C
Storage Temperature		T _{TSG}	-40 to +85								°C
Lead soldering temperature	1.60mm from body maximum 3 seconds		260								°C

2.30"(56.80mm)Single Digit 7 Segment Display

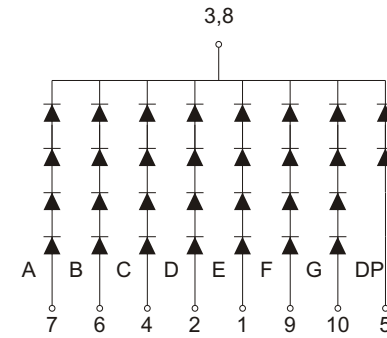
PACKAGE DIMENSION



Tolerance ±0.25mm unless stated

INTERNAL CIRCUIT DIAGRAM

Common Cathode



Common Anode

