

Diode type D22 are design for use in power rectifying circuits under normal operating conditions.

## KEY PARAMETERS

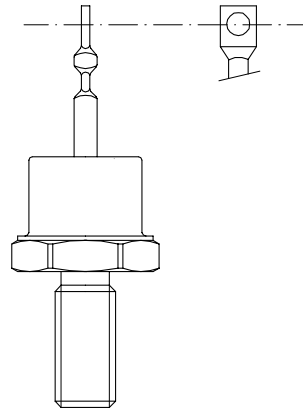
$U_{RRM}$	<b>up to 1400 V</b>
$I_{F(AV)}$	<b>25 A</b>
$I_{FSM}$	<b>275 A</b>

## FEATURES

- all diffused design
- high current capabilities
- high surge current capabilities
- compact size and small weight
- tested according to IEC standards

## APPLICATION

- Medium Voltage Power Supplies
- Motor Control
- Battery Chargers
- Free Wheeling Diode
- Resistance Welding



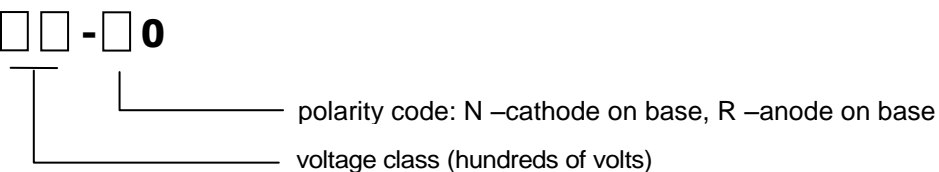
**Outline type code: DO-4**

See package details for further information

**ORDERING INFORMATION**

When ordering please refer to device code builder presented below.  
Please use the complete part number when ordering, quote or in any future correspondence relating to your order.

**D22-25-**   -  **0**



**ELECTRICAL PARAMETERS**

**Voltage ratings**

Voltage class	$U_{RRM}$	$I_{RRM}$
	V	mA
01	100	8
02	200	
04	400	
06	600	
08	800	
10	1000	
12	1200	
14	1400	

### Electrical properties

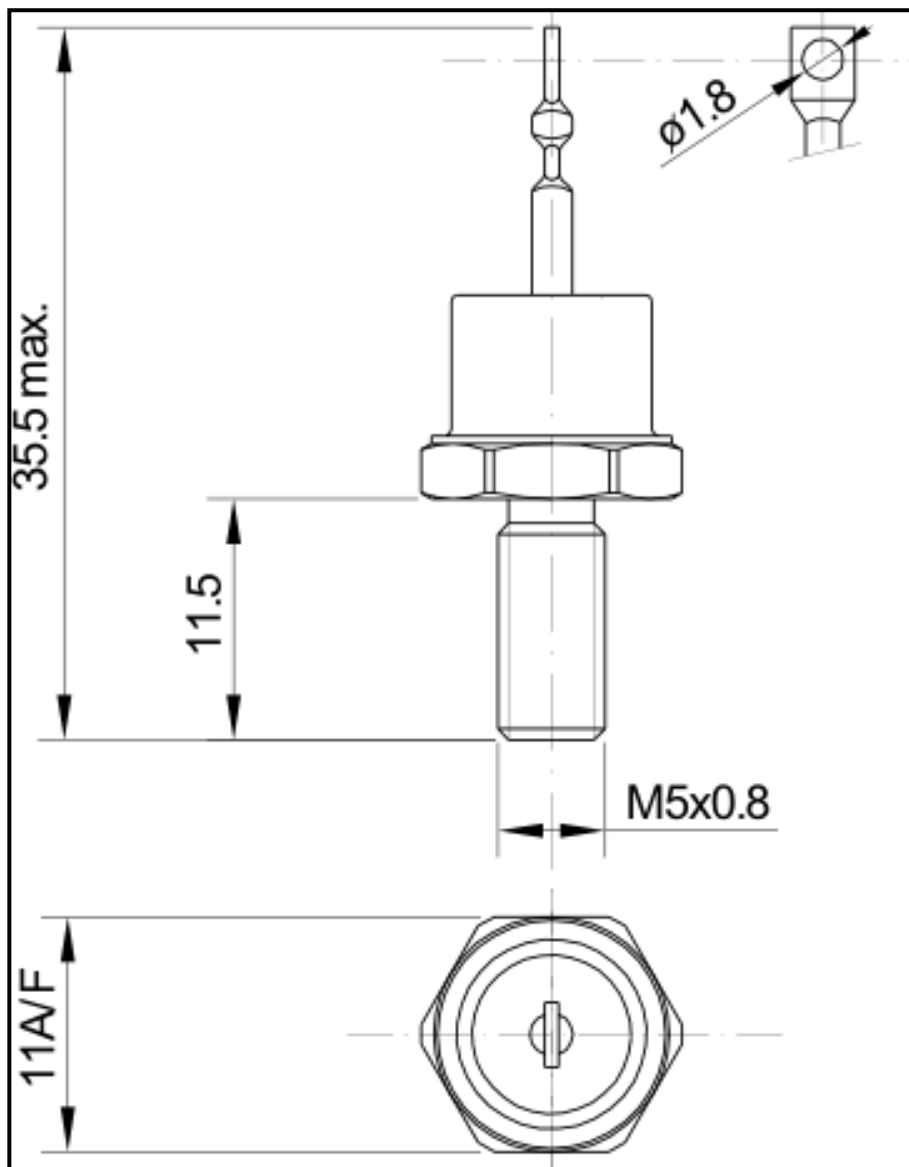
Parameter		Unit	Test conditions	Value
Average forward current @ case temperature	$I_{F(AV)}$	A		25
	$T_c$	°C		120
RMS forward current	$I_{F(RMS)}$	A		39,25
Surge current	$I_{FSM}$	A	$t_p=10ms$	275
$I^2t$ – value	$I^2t$	$kA^2s$	$T_J=T_{JMAX}$	0,378
Forward voltage drop max.	$U_{FM}$	V	$T_J=25^\circ C, I_{FM}=50A$	1,50
Threshold voltage	$U_{F(T0)}$	V	$T_J=T_{Jmax}$	1,15
Slope resistance	$r_F$	$m\Omega$		7

### Thermal properties

Parameter		Unit	Test conditions	Value
Thermal resistance, junction to case	$R_{thJC}$	°C/W	two sided, DC	1,50
Operating junction temperature	$T_{jmin} \dots T_{jmax}$	°C		-25...+190
Storage temperature	$T_{stg}$	°C		-25...+190

### Mechanical properties

Parameter		Unit	Value
Mounting torque	$F_M$	Nm	1,2 – 1,5
Weight	m	g	7



For further package information, please contact Sales & Marketing Department. All dimensions in mm, unless stated otherwise.  
Do not scale.

**CHARACTERISTICS**

