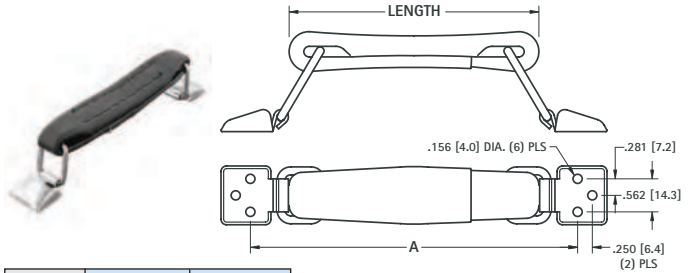


# HANDLES



This retractable handle is manufactured with black leather-like material and Nickel Plated steel hardware. Handle folds flat when not in use. Mounts with #6 screws (not supplied).

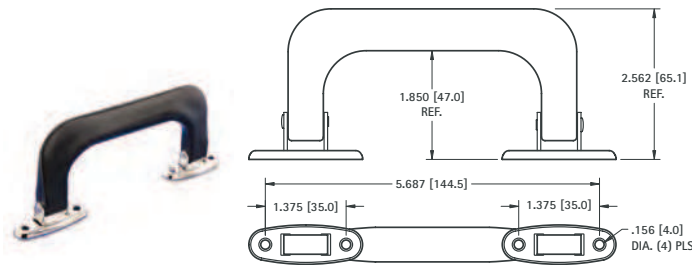


CAT. NO.	LENGTH	A
8351	4.500 (114.3)	6.000 (152.4)
8352	5.500 (139.7)	7.000 (177.8)
8353	6.000 (152.4)	7.500 (190.5)

**MATERIAL:**

**Grip:** Leather like, Black  
**Hardware:** Steel, Nickel Plate

Folds flat on case when not in use. Mounts with rivets or #6 screws (not supplied).

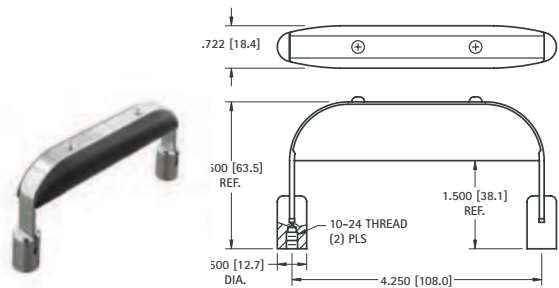


CAT. NO.	COLOR
8356	BLACK

**MATERIAL:**

**Grip:** Polypropylene, Black  
**Post:** Steel, Nickel Plate  
**Pin:** Steel, Nickel Plate

Folds flat on case when not in use. Mounts with #10-24 hardware supplied.



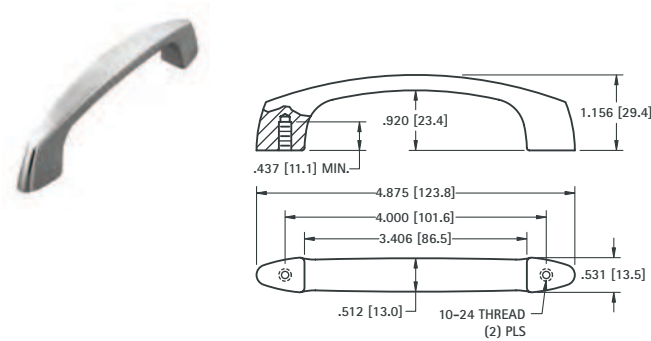
CAT. NO.	COLOR
8354	BLACK

**MATERIAL:**

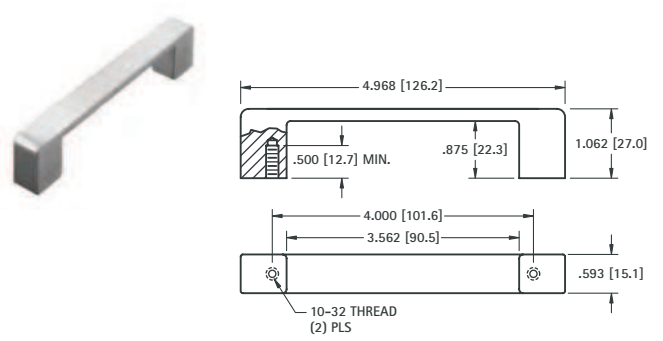
**Grip:** High Impact Styrene, Black  
**Rim:** Steel, Nickel Plate  
**Post:** Brass, Nickel Plate

## CONTEMPORARY HANDLES

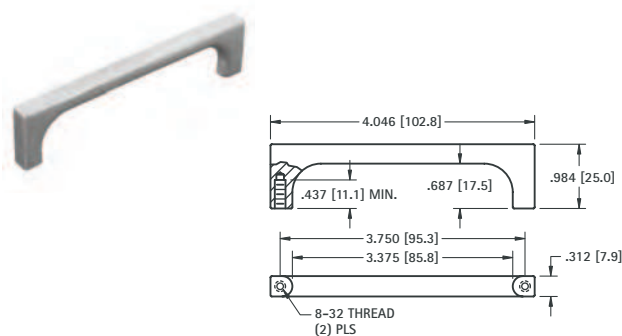
**MATERIAL:** Zinc, Satin Brushed, Nickel Plate



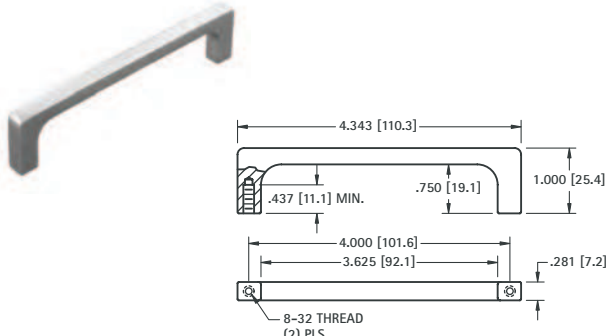
**CAT. NO. 7197**



**CAT. NO. 7196**



**CAT. NO. 7199**



**CAT. NO. 7198**