



## PUSH BUTTON SWITCHES (22.5 mm.)

PB5 - SERIES

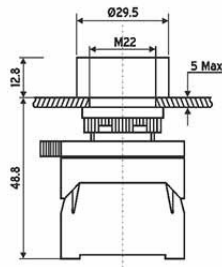
- Characteristics
- Aesthetically elegant
  - Self wiping contacts ensure trouble free operation
  - Safe in operation, locking device unaffected by vibration
  - Protection against electrical shock (unit earthed)
  - Shrouded terminals
  - Modular construction
  - Conform to IEC/EN-60947-5-1

CE

### SPRING RETURN PUSH BUTTON SWITCHES

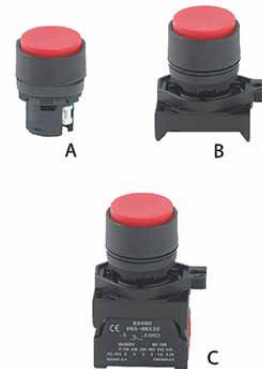
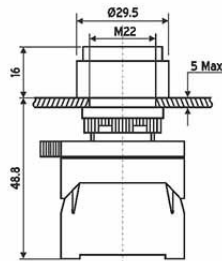
#### FLUSH TYPE

Type	Description	Ordering code
A	Actuator	<b>PB5-EA( )</b>
B	Actuator & plastic bracket	<b>PCB5-EA( )</b>
C	Actuator, plastic bracket & contact block	<b>PCB5-EA( )*</b>



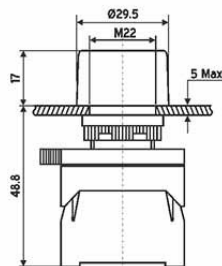
#### PROJECTING TYPE

Type	Description	Ordering code
A	Actuator	<b>PB5-EL( )</b>
B	Actuator & plastic bracket	<b>PCB5-EL( )</b>
C	Actuator, plastic bracket & contact block	<b>PCB5-EL( )*</b>



#### BOOTED TYPE

Type	Description	Ordering code
A	Actuator	<b>PB5-EP( )</b>
B	Actuator & plastic bracket	<b>PCB5-EP( )</b>
C	Actuator, plastic bracket & contact block	<b>PCB5-EP( )*</b>



Add following suffixes in the ordering code of push button switches for colour and contact blocks.

( ) 1 = White, 2 = Black, 3 = Green, 4 = Red, 5 = Yellow, 6 = Blue

\* 1 = NO contact, 2 = NC contact, 3 = NO+NO, 4 = NC+NC, 5 = NO+NC A = 2NO+NC B = NO+2NC C = 2NO+2NC

www.essendeinki.com

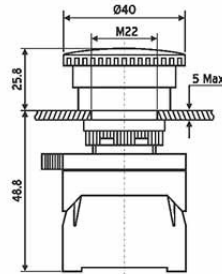


## PUSH BUTTON SWITCHES (22.5 mm.)

### PB5 - SERIES

#### MUSHROOM HEAD (Ø 40 mm.)

Type	Description	Ordering code
A	Actuator Red	<b>PB5-EC4</b>
B	Actuator & plastic bracket	<b>PCB5-EC4</b>
C	Actuator, plastic bracket & contact block	<b>PCB5-EC4*</b>

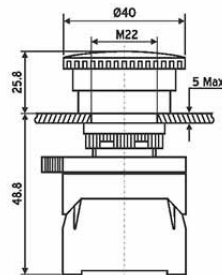


Note : Mushroom head (Ø 40 mm.) push button switches are available in Red, Green & Black colours only.

#### LATCHING MUSHROOM HEAD (Ø 40 mm.) (Emergency stop push button)

##### PRESS TO LOCK, TURN TO RELEASE

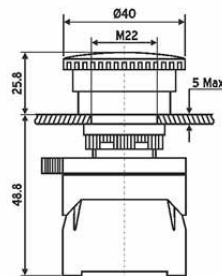
Type	Description	Ordering code
A	Actuator Red	<b>PB5-ES 54</b>
B	Actuator & plastic bracket	<b>PCB5-ES 54</b>
C	Actuator, plastic bracket & contact block	<b>PCB5-ES 54*</b>



Note : Emergency stop Mushroom push button switches are available in Red & Black colours only.  
Add suffix 'E' in the ordering code of Emergency stop push button switch for marking 'E STOP' on actuator.

#### MUSHROOM HEAD (Ø 40 mm.) (Push - Pull)

Type	Description	Ordering code
A	Actuator	<b>PB5-ET ( )</b>
B	Actuator & plastic bracket	<b>PCB5-ET ( )</b>
C	Actuator, plastic bracket & contact block	<b>PCB5-ET ( )*</b>



Note : Emergency stop Mushroom push button switches are available in Red & Black colours only.  
Add suffix 'E' in the ordering code of Emergency stop push button switch for marking 'E STOP' on actuator.

Add following suffixes in the ordering code of push button switches for colour and contact blocks.

( ) 1 = White, 2 = Black, 3 = Green, 4 = Red, 5 = Yellow, 6 = Blue

\* 1 = NO contact, 2 = NC contact, 3 = NO+NO, 4 = NC+NC, 5 = NO+NC A = 2NO+NC B = NO+2NC C = 2NO+2NC

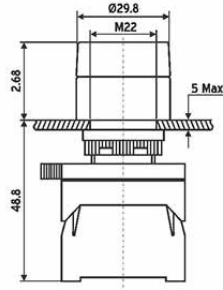
www.essendeinki.com

**SELECTOR SWITCHES**  
(Non illuminated)

**TWO POSITION**

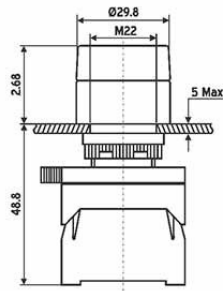
**STAY PUT (standard knob)**

Type	Description	Ordering code
A	Actuator	<b>PB5-ED 2</b>
B	Actuator & plastic bracket	<b>PCB5-ED 2</b>
C	Actuator, plastic bracket & contact block	<b>PCB5-ED 2*</b>



**SPRING RETURN FROM RIGHT TO LEFT**  
(standard knob)

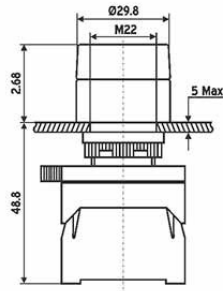
Type	Description	Ordering code
A	Actuator	<b>PB5-ED R2</b>
B	Actuator & plastic bracket	<b>PCB5-ED R2</b>
C	Actuator, plastic bracket & contact block	<b>PCB5-ED R2*</b>



**THREE POSITION**

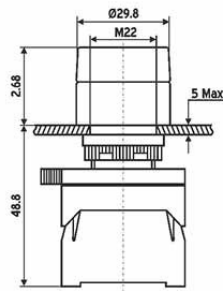
**STAY PUT CENTRE OFF (standard knob)**

Type	Description	Ordering code
A	Actuator	<b>PB5-ED 3</b>
B	Actuator & plastic bracket	<b>PCB5-ED 3</b>
C	Actuator, plastic bracket & contact block	<b>PCB5-ED 3*</b>



**SPRING RETURN FROM BOTH POSITION TO CENTRE** (standard knob)

Type	Description	Ordering code
A	Actuator	<b>PB5-ED R3</b>
B	Actuator & plastic bracket	<b>PCB5-ED R3</b>
C	Actuator, plastic bracket & contact block	<b>PCB5-ED R3*</b>



Add following suffix at \* in the ordering code of push button switches for contact blocks.

1 = NO contact, 2 = NC contact, 3 = NO+NO, 4 = NC+NC, 5 = NO+NC A = 2NO+NC B = NO+2NC C = 2NO+2NC



## PUSH BUTTON SWITCHES (22.5 mm.)

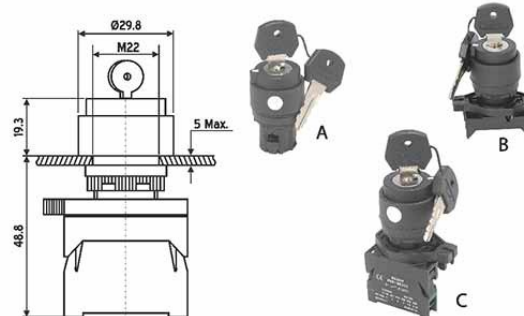
PB5 - SERIES

### KEY SWITCHES

(2 position)

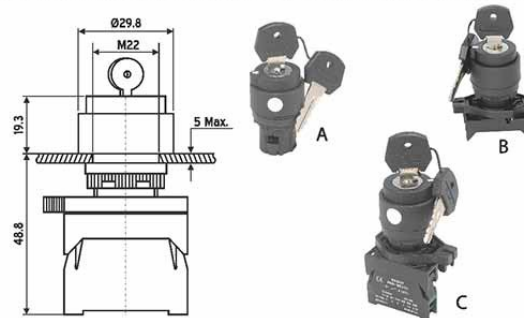
#### KEY REMOVABLE IN "LEFT HAND" POSITION (stay put)

Type	Description	Ordering code
A	Actuator	<b>PB5-EG 2</b>
B	Actuator & plastic bracket	<b>PCB5-EG 2</b>
C	Actuator, plastic bracket & contact block	<b>PCB5-EG 2*</b>



#### KEY REMOVABLE IN "LEFT HAND" POSITION (spring return from right to left)

Type	Description	Ordering code
A	Actuator	<b>PB5-EG 4</b>
B	Actuator & plastic bracket	<b>PCB5-EG 4</b>
C	Actuator, plastic bracket & contact block	<b>PCB5-EG 4*</b>

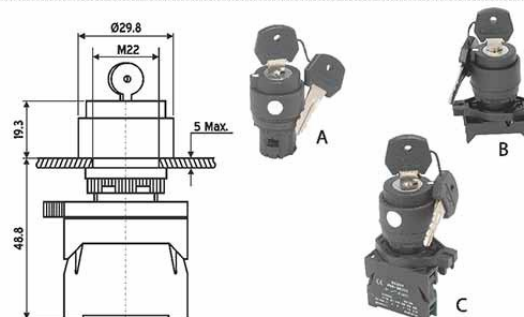


### KEY SWITCHES

(3 position)

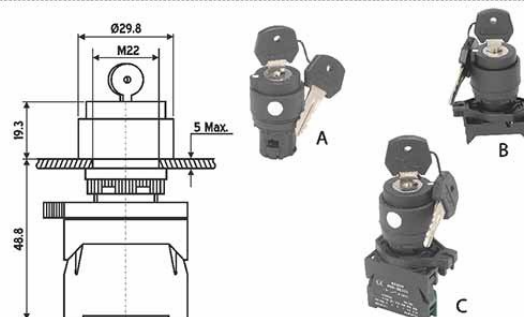
#### KEY REMOVABLE IN CENTRE OFF POSITION (Stay put)

Type	Description	Ordering code
A	Actuator	<b>PB5-EG 3</b>
B	Actuator & plastic bracket	<b>PCB5-EG 3</b>
C	Actuator, plastic & contact block	<b>PCB5-EG 3*</b>



#### KEY REMOVABLE IN CENTRE OFF POSITION (Spring return from Both Position to Centre)

Type	Description	Ordering code
A	Actuator	<b>PB5-BG 5</b>
B	Actuator & plastic bracket	<b>PCB5-BG 5</b>
C	Actuator, plastic bracket & contact block	<b>PCB5-BG 5*</b>



Add following suffix at \* in the ordering code of push button switches for contact blocks.

1 = NO contact, 2 = NC contact, 3 = NO+NO, 4 = NC+NC, 5 = NO+NC A = 2NO+NC B = NO+2NC C = 2NO+2NC

www.essendeinki.com



## PUSH BUTTON SWITCHES (22.5 mm.)

PB5- SERIES

### SIGN PUSH BUTTON SWITCHES

Spring return, flush type (with plastic bracket)

Description	Ordering code
Green colour with 'I' mark	<b>PCB5-EA 331*</b>



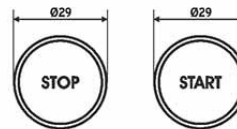
Description	Ordering code
Green colour with 'II' mark	<b>PCB5-EA 336*</b>



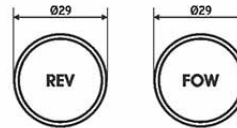
Description	Ordering code
Red colour with 'O' mark	<b>PCB5-EA 432*</b>



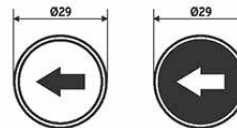
Description	Ordering code
Red colour with 'STOP' mark	<b>PCB5-EA 434*</b>
Green colour with 'START' mark	<b>PCB5-EA 333*</b>



Description	Ordering code
Green colour with 'REV' mark (REVERSE)	<b>PCB5-EA 337*</b>
Green colour with 'FOW' mark (FORWARD)	<b>PCB5-EA 338*</b>



Description	Ordering code
White colour with black arrow	<b>PCB5-EA 334*</b>
Black colour with white arrow	<b>PCB5-EA 335*</b>



Add following suffix at \* in the ordering code of push button switches for contact blocks.

1 = NO contact, 2 = NC contact, 3 = NO+NO, 4 = NC+NC, 5 = NO+NC A = 2NO+NC B = NO+2NC C = 2NO+2NC

^ Plastic Bracket not shown in the picture

www.essendeinki.com



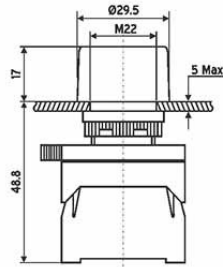
## PUSH BUTTON SWITCHES (22.5 mm.)

PB5 - SERIES

### ILLUMINATED PUSH BUTTON (LED TYPE)

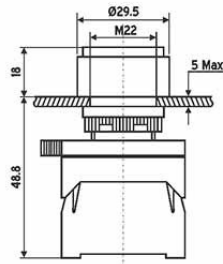
#### FLUSH TYPE

Type	Description	Ordering code
A	Actuator	<sup>^</sup> <b>PB5-EW3( )</b>
B	Actuator with Plastic Bracket	<b>PCB5-EW3( )</b>
C	Actuator with Plastic Bracket & LED Holder with LED	<b>PCB5-EWL3( )6 #</b>
D	Actuator with Plastic Bracket & LED Holder with LED and Contact Block	<b>PCB5-EWL3( )6* #</b>



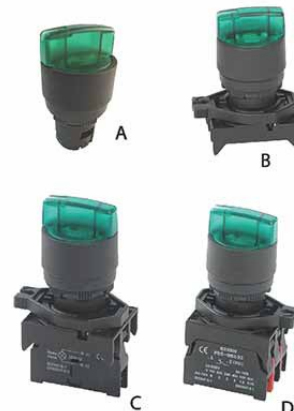
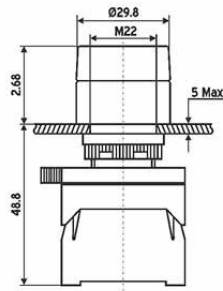
#### PROJECTING TYPE

Type	Description	Ordering code
A	Actuator	<sup>^</sup> <b>PB5-EWL3( )</b>
B	Actuator with Plastic Bracket	<b>PCB5-EWL3( )</b>
C	Actuator with Plastic Bracket & LED Holder with LED	<b>PCB5-EWLL3( )6 #</b>
D	Actuator with Plastic Bracket & LED Holder with LED and Contact Block	<b>PCB5-EWLL3( )6* #</b>



### SELECTOR SWITCHES 2 POSITION - STAY PUT

Type	Description	Ordering code
A	Actuator	<b>PB5-EK2( )</b>
B	Actuator with Plastic Bracket	<b>PCB5-EK2( )</b>
C	Actuator with Plastic Bracket & LED Holder with LED	<b>PCB5-EKL2( )6 #</b>
D	Actuator with Plastic Bracket & LED Holder with LED and Contact Block	<b>PCB5-EKL2( )6* #</b>



Note : Please mention operating voltage while ordering illuminated push buttons

Add following suffixes in the ordering code of push button switches for colour & voltage contact blocks.

( ) 1 = White, 3 = Green, 4 = Red, 5 = Yellow, 6 = Blue

\* 1 = NO contact, 2 = NC contact, 3 = NO+NO, 4 = NC+NC, 5 = NO+NC A = 2NO+NC B = NO+2NC C = 2NO+2NC

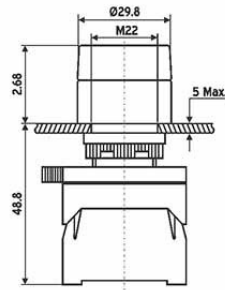
# 24, 110, 220 V AC & 24, 110, 220 V DC

<sup>A</sup> For Push to On & Push to Off Actuator in Flush and Projecting type, Add 'Z' after 'W' in Flush type e.g. PB5-EWZ3( ) and after 'L' in Projecting type e.g. PB5-EWLZ3( )

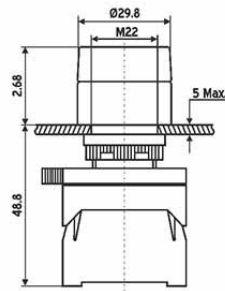
www.essendeinki.com

**2 POSITION - SPRING RETURN FROM RIGHT TO LEFT**

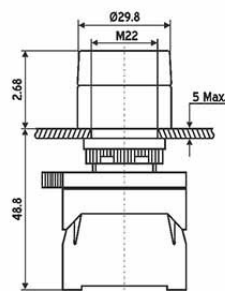
Type	Description	Ordering code
A	Actuator	<b>PB5-EKR2( )</b>
B	Actuator with Plastic Bracket	<b>PCB5-EKR2( )</b>
C	Actuator with Plastic Bracket & LED Holder with LED	<b>PCB5-EKLR2( )6 #</b>
D	Actuator with Plastic Bracket & LED Holder with LED and Contact Block	<b>PCB5-EKLR2( )6* #</b>


**3 POSITION - STAY PUT**

Type	Description	Ordering code
A	Actuator	<b>PB5-EK3( )</b>
B	Actuator with Plastic Bracket	<b>PCB5-EK3( )</b>
C	Actuator with Plastic Bracket & LED Holder with LED	<b>PCB5-EKL3( )6 #</b>
D	Actuator with Plastic Bracket & LED Holder with LED and Contact Block	<b>PCB5-EKL3( )6* #</b>


**3 POSITION - SPRING RETURN FROM BOTH POSITION TO CENTRE**

Type	Description	Ordering code
A	Actuator	<b>PB5-EKR3( )</b>
B	Actuator with Plastic Bracket	<b>PCB5-EKR3( )</b>
C	Actuator with Plastic Bracket & LED Holder with LED	<b>PCB5-EKLR3( )6 #</b>
D	Actuator with Plastic Bracket & LED Holder with LED and Contact Block	<b>PCB5-EKLR3( )6* #</b>



Note : Please mention operating voltage while ordering illuminated push buttons

Add following suffixes in the ordering code of push button switches for colour & voltage contact blocks.

( ) 1 = White, 3 = Green, 4 = Red, 5 = Yellow, 6 = Blue

\* 1 = NO contact, 2 = NC contact, 3 = NO+NO, 4 = NC+NC, 5 = NO+NC A = 2NO+NC B = NO+2NC C = 2NO+2NC

# 24, 110, 220 V AC & 24, 110, 220 V DC



## PUSH BUTTON SWITCHES (22.5 mm.)

PB5 - SERIES

### TWIN PUSH BUTTON SWITCHES

(with plastic bracket)

Description	Ordering code
Both Red & Green buttons flush type 'O' & 'I' Marked	<b>PCB5- EB832</b>



Description	Ordering code
Red projecting type with 'O' mark Green flush type with 'I' mark	<b>PCB5- EB842</b>



### ILLUMINATED TWIN PUSH BUTTON SWITCHES

(with plastic bracket)

Description	Ordering code
Red & Green both buttons flush type & with amber lens marked 'I' & 'O'	<b>PCB5-EBW 836</b>



Description	Ordering code
Red projecting type with 'O' mark Green flush type with 'I' mark with amber lens	<b>PCB5-EBW 846</b>



^ Plastic Bracket not shown in the Picture

### LED MODULE PILOT LIGHTS

Type	Description	Ordering code
A	Pilot Light Head	<b>PB5-EVO( )</b>
B	Led Holder with Led & Plastic Bracket	<b>PCB5-EWM( )6 #</b>
C	Assembly	<b>PCB5-EWVM( )6 #</b>



Add following suffixes in the ordering code for colour & voltage.  
( ) 1 = White, 3 = Green, 4 = Red, 5 = Yellow, 6 = Blue  
# 24, 110, 220 V AC & 24, 110, 220 V DC





**PUSH BUTTON SWITCHES (22.5 mm.)**  
**PB5 - SERIES**

**CONTACT BLOCK CAPTIVE CONNECTION**

**CONTACT ELEMENT 'NO'**



Ordering code

**PB5 BE101**

**CONTACT ELEMENT 'NC'**



**PB5 BE102**

**AUXILIARY CONTACT**



**PB5 EF2**

**PLASTIC BRACKET**



Ordering code

**PB5 E**

**LED HOLDER**



**PB5-EW..**

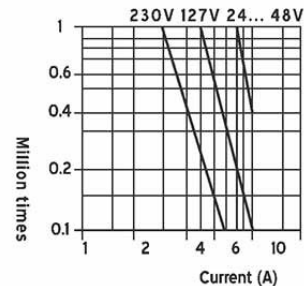
**LED HOLDER WITH LED**



**PB5-EWL6( )#**

**TECHNICAL DATA**

Standard conformity	IS : 13947 (Part 5/SEC-1) & IEC : 947-5(1)
Thermal current	10 Amps.
Ambient temperature	-25° C to +70° C
Rated Insulation voltage	Ui = 600V Pollution Grade is 3
Rated operating characteristics (As per IEC-60947-5-1)	<b>AC 15</b> : A 600 or Ue = 240V & Ie = 3A <b>DC 13</b> : Q 600 or Ue = 250V & Ie = 3A
Electrical durability	1 million operations at 3000 cycles per hour <b>AC 15</b> : V 110 230/240 400 500 A 6 3 2 1.6
Mechanical durability	3 million operations
Electrical life	Depends on load current
Degree of protection	IP65 Flush Head and Projecting Head, with or without Indication Lamp button with cover
Dielectric test voltage	2.5KV AC for 1 minute
Terminal connections	0.75mm <sup>2</sup> to 2.5mm <sup>2</sup> minimum 1x0.5mm <sup>2</sup>
Altitude	<3000 meters
Terminal marking	1-2 for normally closed 3-4 for normally open
Contact operation	Self wiping, slow break NO or NC
Short circuit protection	10A cartridge, fuse HRC type rated for resistive loading
Cut-out required	22.5 mm. dia.



All dimensions are in mm.  
Due to continuous improvement in products, we reserve the right to alter specifications without prior notice

www.essendeinki.com