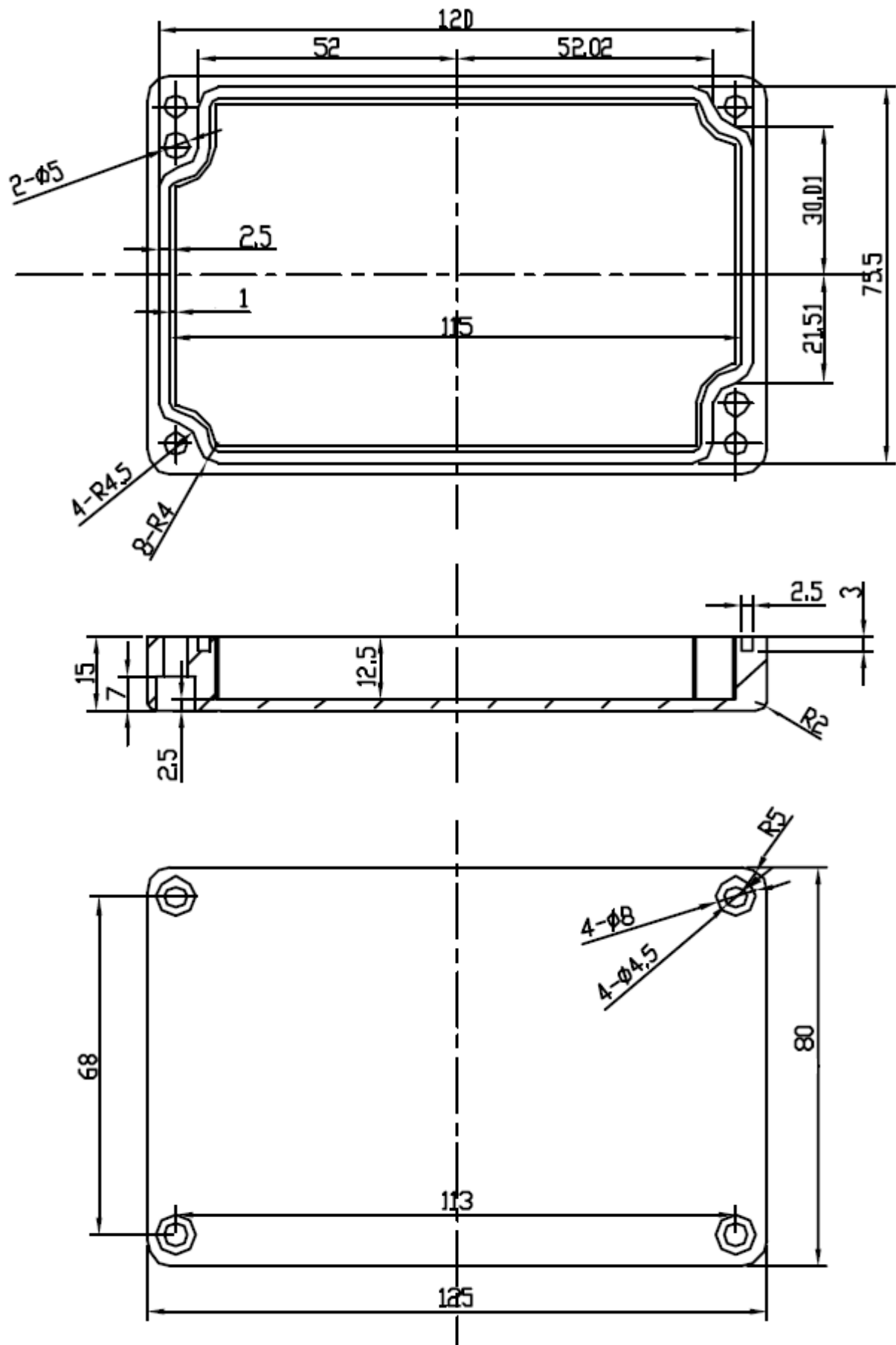
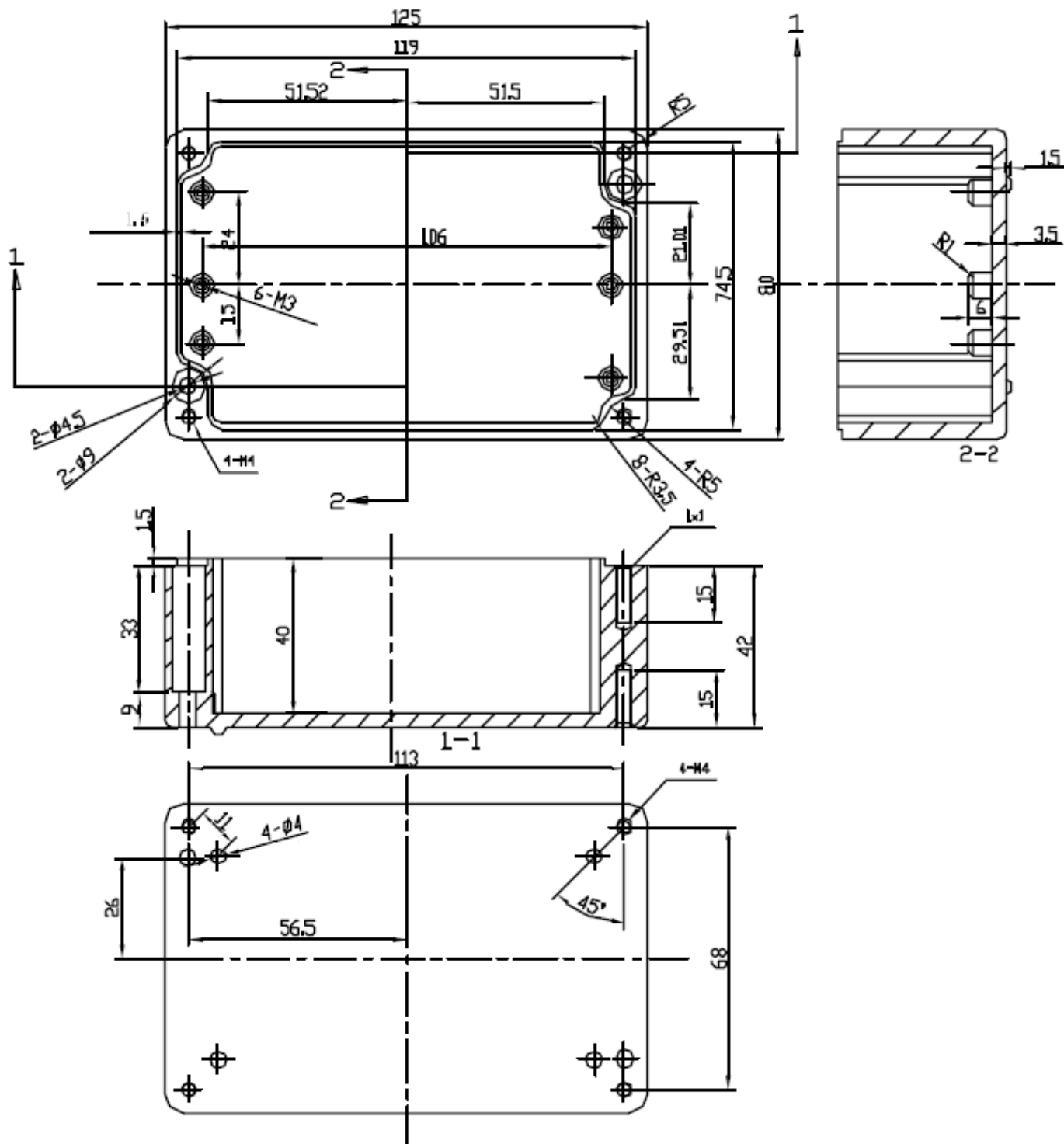


# COVER



BASE



CP-FA50

combiplast

Material: aluminum alloy