

# ACL-CC-05 series LED driver – IP67 max 5 W

RoHS

Operating Temperature : -10 ~ +50 [°C]

Dimension : 59 x 28 x 22 [mm]

LED Driver : Constant Current

Approvals / Marks :

CE IP67



## Features:

Constant current mode power supply - Suitable for LED lighting and moving sign applications

Universal AC input / Fully encapsulated with IP67 (for indoor and outdoor use)

Small and compact size | UL1310 Class II power unit, pass LPS

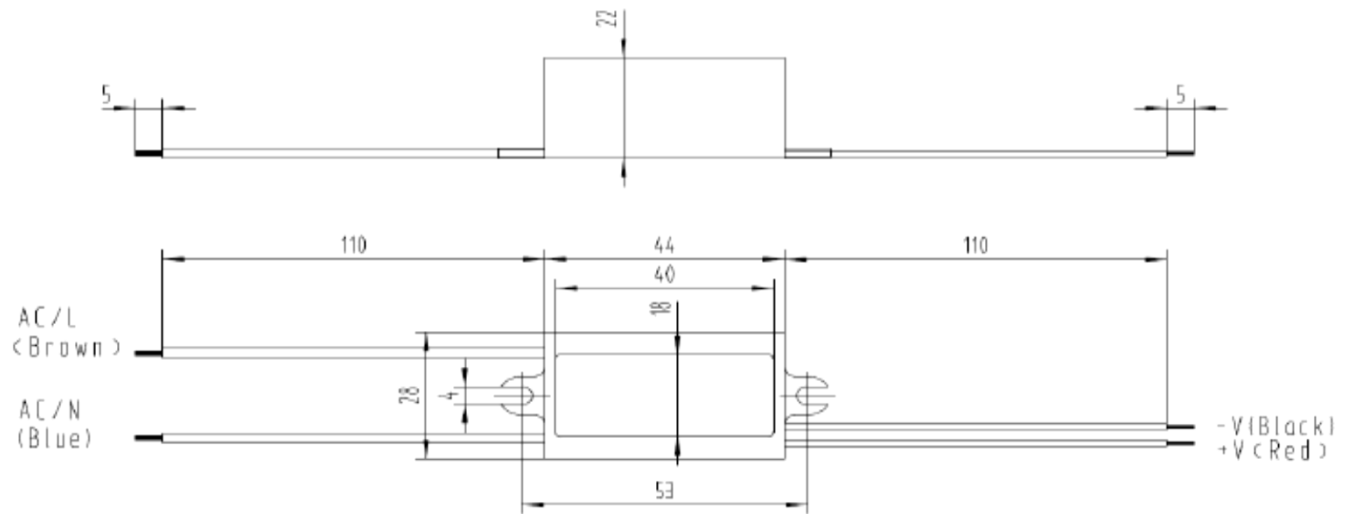
Protections: Over current / 100% full load burn-in test

## Specification:

		OUTPUT							
	Model	Current [mA]	Output Tol. [%]	Voltage [V]	Voltage Range [V]	Efficiency [%]	For LED [pcs]	Max. Power [W]	Ripple & Noise [mV] p-p
	<b>ACL-CC-05-350</b>	<b>350±3%</b>	<b>±3</b>	<b>12</b>	<b>2~12</b>	<b>72</b>	<b>1~3</b>	<b>4.2</b>	<b>200</b>
	<b>ACL-CC-05-700</b>	<b>700±3%</b>	<b>±3</b>	<b>6</b>	<b>2~6</b>	<b>72</b>	<b>1~2</b>	<b>4.2</b>	<b>200</b>
<b>INPUT</b>	Voltage	(100 ~ 240)VAC							
	Frequency	(47 ~ 63)Hz							
	Current	0.15A/100VAC   0.10A/200VAC							
	Inrush Current max.	30A/230VAC @ cold start							
	Leakage current	0.25mA/240VAC							
<b>PROTECTION</b>	Over current	Withstand Short circuit output for 30 seconds							
	Over Voltage	-							
	Protection class	-							
	Over temperature	-							
	No Load Operation	-							
<b>OTHERS</b>	Isolation Resistance	I/P-O/P:>100MΩ / 500VDC / 25 ~ 70% RH							
	Set up time	500ms							
	Hold-up Time	50ms/230VAC							
	MTBF Qualification	30K hrs @ full load 25 °C; ambient temperature and 20k hrs @ full load 50 °C							
	AC cable / DC cable	-							
	Rise time	250ms							
	Line regulation	±1.0%							
	Burn in	100% full load burn-in test							
<b>ENVIRONMENT</b>	Load regulation	±2.0%							
	Temperature	Operating: (-10 ~ +50)°C / Storage: (-40 ~ 80)°C							
	Humidity	Operating: (20 ~ +90)%RH / Storage: (10 ~ 95)%RH Non-condensing							
	Vibration	-							
	Temp. Coefficient	±0.03%/°C (0~50)[°C]							
<b>CERTIFICATION &amp; SAFETY</b>		Safety EN61347-1, EN61347-2-13   Immunity EN61547   Harmonic EN61000-3-2   Magnetic Emission EN55015   RoHS compliant   CE mark / compliant							
<b>SAFETY &amp; EMC</b>	Withstand voltage	I/P-O/P:3KVAC							
	Safety standards	Design refer to UL1310 Class 2,TUV EN60950-1, EN61347-2-13, CAN/CSA C22.2 No. 223-M91, meet IP67							
	EMS Immunity	Compliance to EN61000-4-2,3,4,5,6,8,11; ENV50204, EN55024, light industry level, criteria A							
	EMI conduction & radiation	Compliance to EN55022 (CISPR22) Class B							
	Harmonic current	EN61000-3-2,-3							
<b>WEIGHT</b>		1pc	N.W.: 43g   G.W.: 47g						
<b>PACKING</b>	Box	0.345 x 0.235 x 0.28 [m]							
		300pcs / 1box							
		G.W.: 14.5 kg / box							

# ACL-CC-05 series LED driver – IP67 max 5 W

## Mechanical case specification:



## Block diagram:

