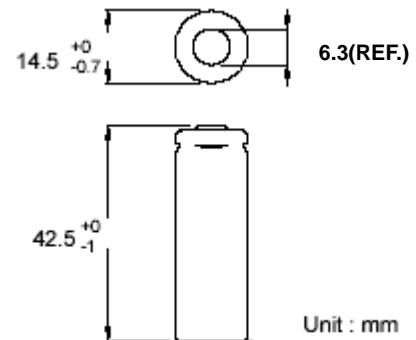
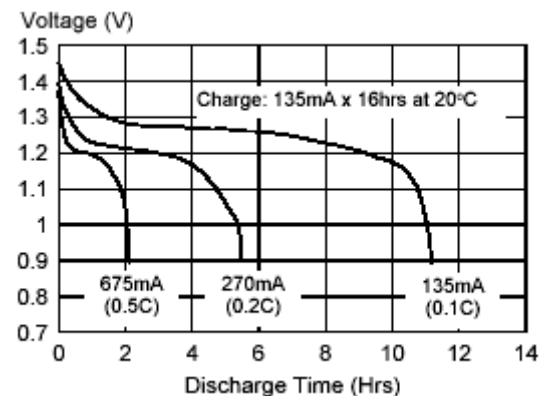


Model No.: GP135AAH

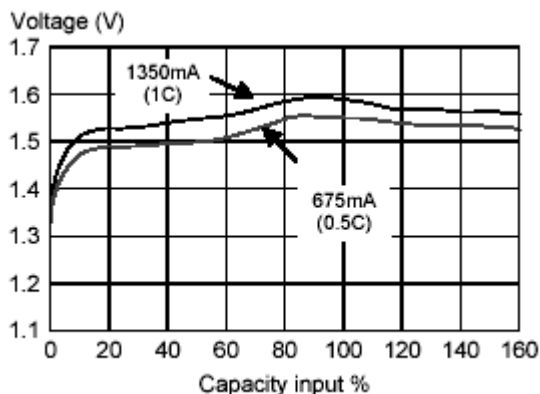


Type	: Rechargeable Nickel Metal Hydride Cylindrical Cell
Nominal Dimension (with Sleeve)	: $\Phi = 14.5\text{mm}$ H = 42.5mm
Applications	: Recommended discharge current 135 to 4050 mA
Nominal Voltage	: 1.2V
Capacity	: Nominal: 1350mAh Minimum: 1350mAh Typical: 1400mAh When discharged at 270mA to 1.0V at 20
Charging Condition	: 135mA for 16 hrs at 20
Fast Charge	: 675mA to 1350mA (0.5 to 1C) charge termination control recommended control parameters: - ΔV : 0-5mV DT/dt : 0.8 /min (0.5 to 0.9C) 0.8 - 1 /min (1C) TCO : 45 - 50 Timer : 105% nominal input (for ref. only)
Service Life	: >500 cycles (IEC standard) not less than 60% of nominal at 0.1C charged / 0.2C discharged
Continuous Overcharge	: 135mA maximum current for 1 year. No conspicuous deformation and/or leakage
Weight	: 22.8g
Internal Resistance	: Average 30m Ω upon fully charged (Range 18- 38m Ω) at 1000Hz
Max. Charging Voltage	: 1.5V at 135mA charging
Ambient Temperature Range	: Standard Charge : 0 to 45 Fast Charging : 10 to 45 Discharge : -20 to 50 Storage : -20 to 35

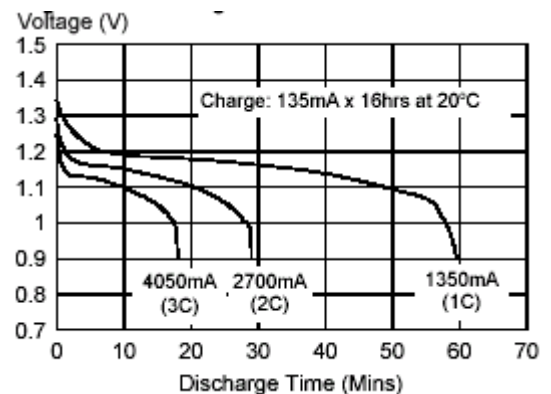
Low Rate Discharge



Fast Charge (Charge Control Required)



High Rate Discharge



The information (subject to change without prior notice) contained in this document is for reference only and should not be used as a basis for product guarantee or warranty. For applications other than those described here, please consult your nearest GP Sales and Marketing Office or Distributors.