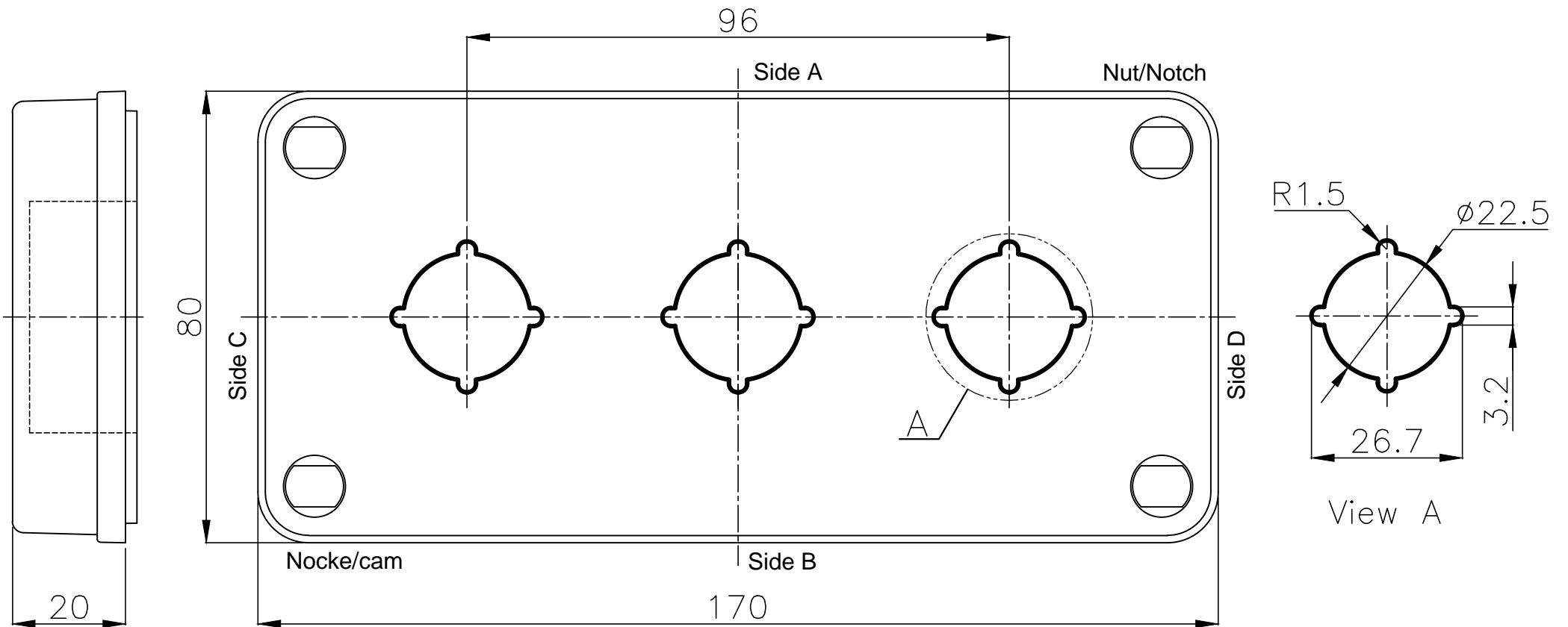
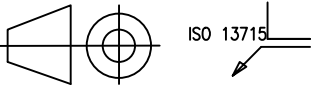


Dimensions without Tolerances			Material		Customer drawing	Scale
ISO 2768-mk			ABS		-	1:1
					Customer	Format
					FIBOX Sp. z o.o.	A4
Rev.	Date	Rev. note	Date	2012-05-08	Article	
			Design	Drabek Pawel	ABS D	
					Article no.	
					8522806	
					Description	
					ABS D 65 G	
				Drawing no.		Page
				0950269		1/2



			Dimensions without Tolerances	Material ABS	Customer drawing	-	Scale 1:1
			ISO 2768-mk		Customer	FIBOX Sp. z o.o.	Format A4
Rev.	Date	Rev. note	Date	2012-05-08	Article	D 20 AG Cover	
			Design	Drabek Pawel	Article no.	8722818	
					Description	ABS D 65 G	
					Drawing no.	0950269	Page 2/2

