
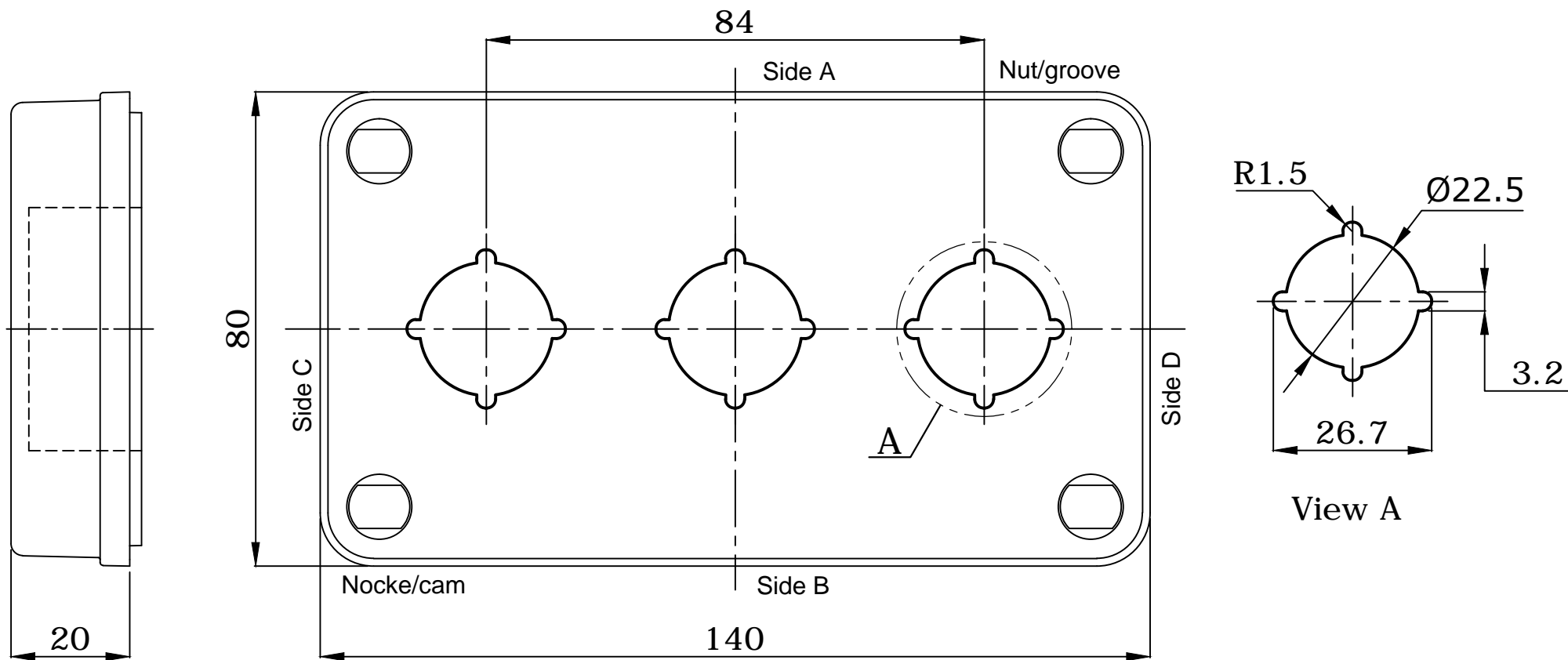


			Dimensions without Tolerances	Surface	Customer drawing	-	Scale 1:1
			ISO 2768-mk		Customer	FIBOX Sp. z o.o.	Format A4
Rev.	Date	Rev. note	Date	2012-04-24	Article	ABS C Base	
			Design	Drabek Paweł	Article no.	8522805	
					Description	ABS C65 G	
					Drawing no.	0950259	Page 1/2



 ISO 13715			Dimensions without Tolerances	Surface	Customer drawing	-	Scale 1:1
			ISO 2768-mk		Customer	FIBOX Sp. z o.o.	Format A4
Rev.	Date	Rev. note	Date	2012-04-24	Article	C 20 AG Cover	
			Design	Drabek Paweł	Article no.	8522805	
					Description	ABS C65 G	
					Drawing no.	0950259	Page 2/2