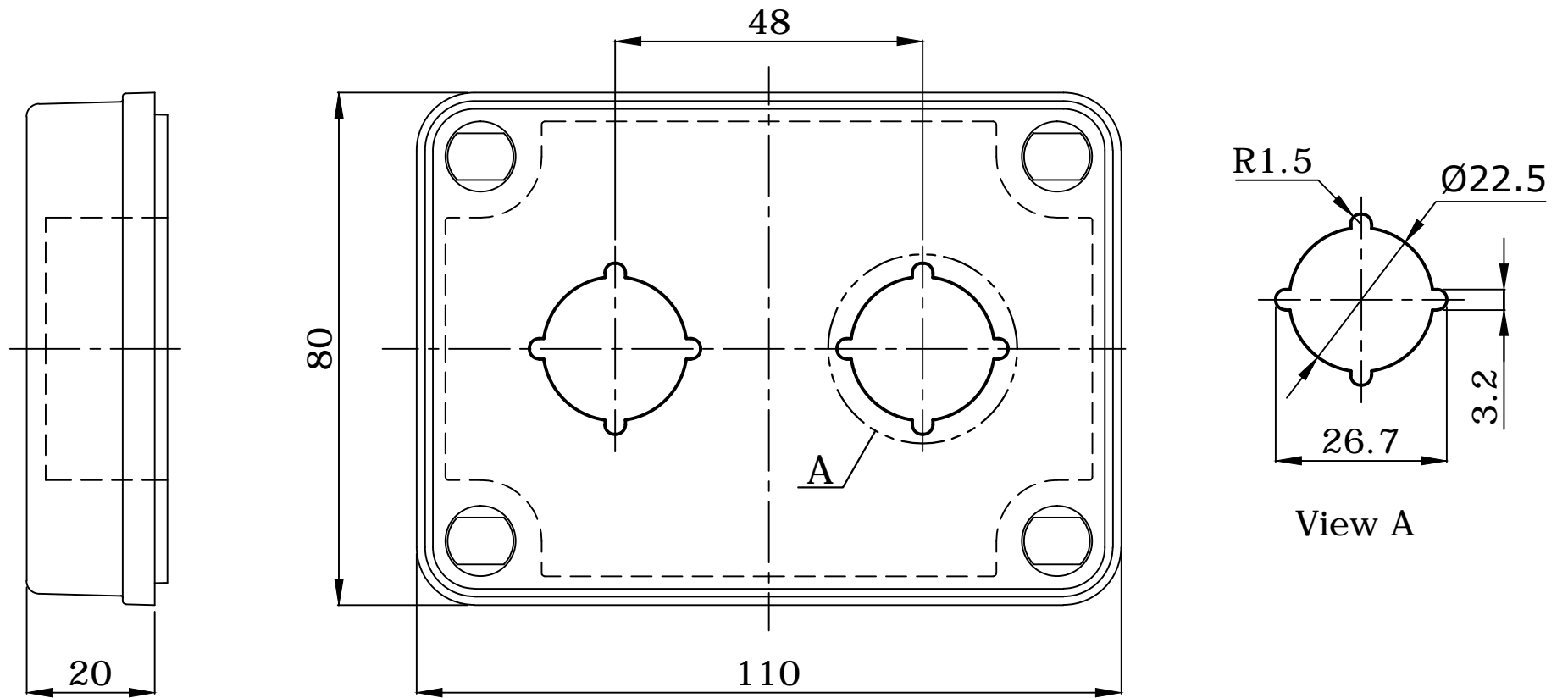



			Dimensions without Tolerances	Surface	Customer drawing	-	Scale 1:1
			ISO 2768-mk		Customer	FIBOX Sp. z o.o.	Format A4
Rev.	Date	Rev. note	Date	2012-04-19	Article	ABS B Base	
			Design	Drabek Paweł	Article no.	8522804	
					Description	ABS B65 G	
					Drawing no.	0950256	Page 1/2



 ISO 13715			Dimensions without Tolerances	Surface	Customer drawing	Scale 1:1
			ISO 2768-mk		Customer	Format A4
Rev.	Date	Rev. note	Date	2012-04-19	Article	FIBOX Sp. z o.o.
			Design	Drabek Pawel		B 20 AG Cover
					Article no.	8722814
					Description	ABS B 65 G
					Drawing no.	0950257
						Page 2/2

