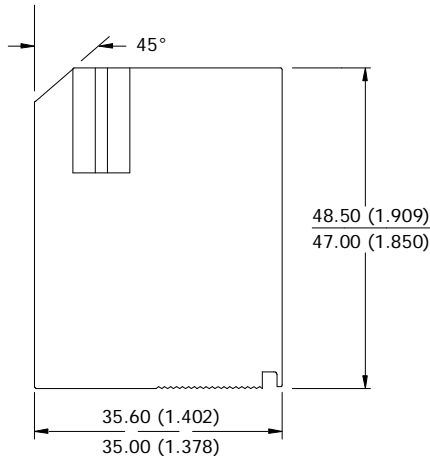
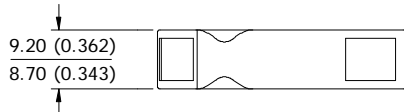


ENERGIZER 539



Industry Standard Dimensions

mm (inches)

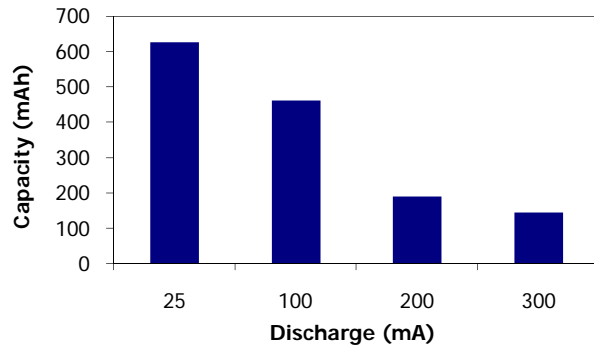


Specifications

Classification:	Alkaline
Chemical System:	Zinc-Manganese Dioxide (Zn/MnO ₂) No added mercury or cadmium
Designation:	ANSI-1412A, IEC-4LR61
Nominal Voltage:	6.0 volts
Operating Temp:	-18°C to 55°C (0°F to 130°F)
Typical Weight:	30.0 grams (1.1 oz.)
Typical Volume:	15.4 cubic centimeters (0.9 cubic inch)
Jacket:	Plastic
Shelf Life:	5 years at 21°C (80% of initial capacity)
Terminal:	Flat Contact
Cells:	Four 3-0361 in series

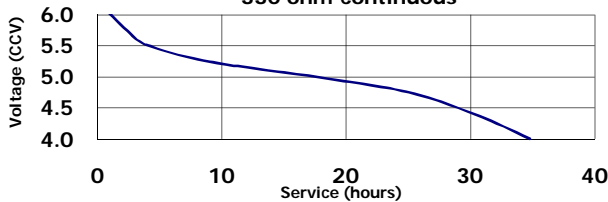
Milliamp-Hours Capacity

Continuous discharge to 0.8 volts at 21°C

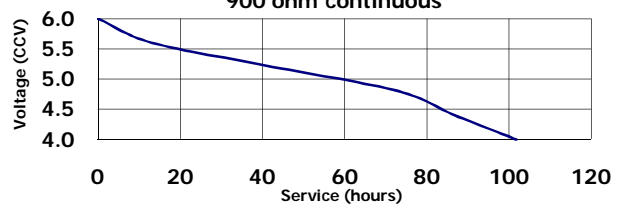


Industry Standard Tests (21°C)

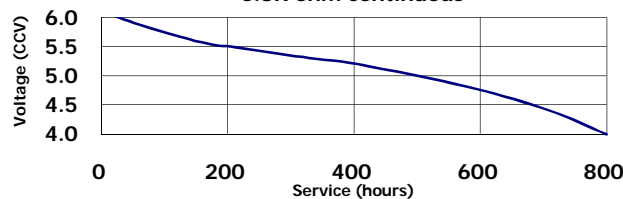
ELECTRONIC APPLICATION
330 ohm continuous



ELECTRONIC APPLICATION
900 ohm continuous



STANDARD APPLICATION
6.8K ohm continuous



Important Notice

This datasheet contains typical information specific to products manufactured at the time of its publication.
©Energizer Holdings, Inc. - Contents herein do not constitute a warranty.