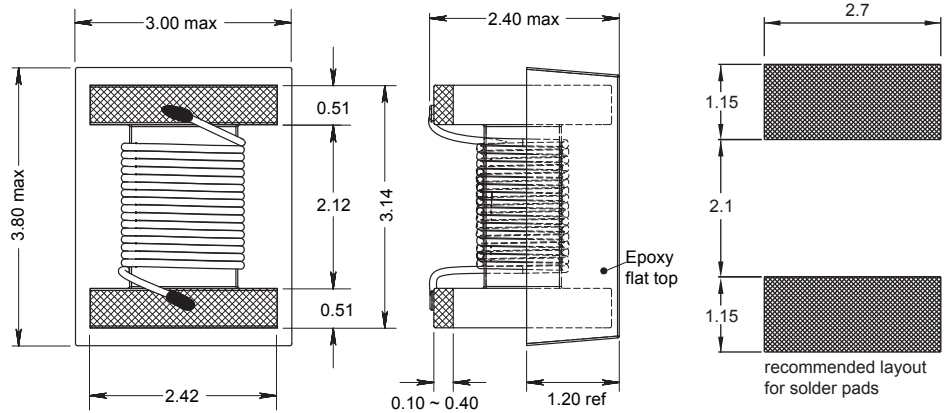
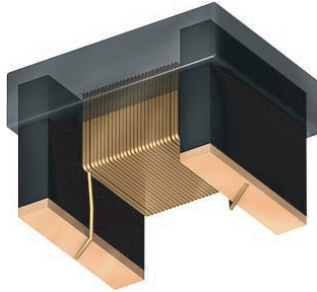
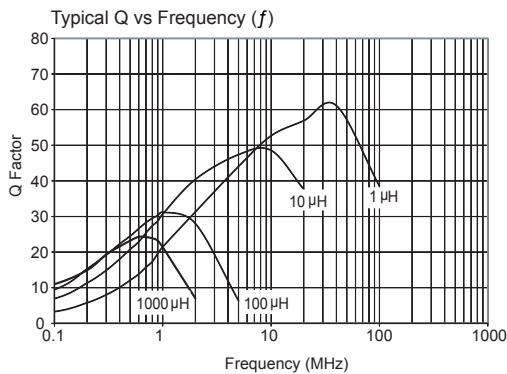
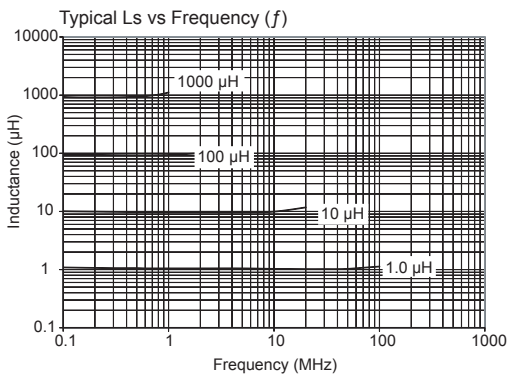
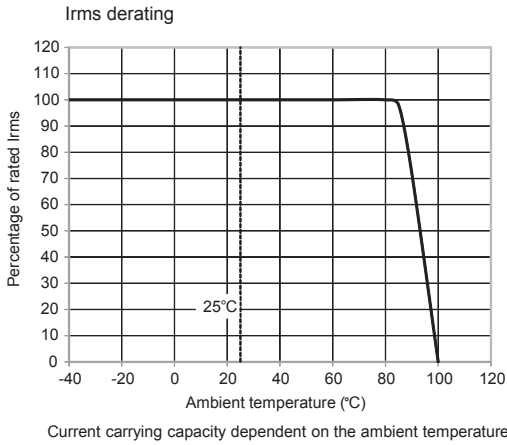


# 1210 F

Engineer's Kit : EK-1210F-X



Chip Inductors for RF Applications (Wire wound -open)



Single layer (typ)

Part No	Inductance	f <sub>L</sub>	Tol	Q	f <sub>α</sub>	SRF	DCR	Rated DC
	L (μH)	(MHz)	± (%)	min	(MHz)	min (MHz)	max (Ω)	Current max (mA)
1210F-R10K-YY	0.1	25	10	40	25	375	0.15	1131
1210F-1R0K-YY	1.0	1	10	30	7.96	200	0.28	600
1210F-1R2K-YY	1.2	1	10	30	7.96	200	0.32	560
1210F-1R5K-YY	1.5	1	10	30	7.96	200	0.34	535
1210F-1R8K-YY	1.8	1	10	30	7.96	150	0.41	490
1210F-2R2K-YY	2.2	1	10	30	7.96	150	0.43	480
1210F-2R7K-YY	2.7	1	10	30	7.96	150	0.49	450
1210F-3R3K-YY	3.3	1	10	30	7.96	90	0.55	425
1210F-3R9K-YY	3.9	1	10	30	7.96	80	0.59	410
1210F-4R7K-YY	4.7	1	10	30	7.96	70	0.65	390
1210F-5R6K-YY	5.6	1	10	30	7.96	40	0.71	375
1210F-6R8K-YY	6.8	1	10	27	7.96	28	0.78	360
1210F-8R2K-YY	8.2	1	10	27	7.96	25	0.92	330
1210F-100K-YY	10	1	10	27	2.52	15	0.98	320
1210F-120K-YY	12	0.1	10	27	2.52	13	1.10	300
1210F-150K-YY	15	0.1	10	27	2.52	12	1.25	280
1210F-180K-YY	18	0.1	10	27	2.52	11	1.35	270
1210F-220K-YY	22	0.1	10	27	2.52	10	1.45	260
1210F-270K-YY	27	0.1	10	26	2.52	9.0	1.65	245
1210F-330K-YY	33	0.1	10	25	2.52	8.0	1.85	230
1210F-390K-YY	39	0.1	10	25	2.52	7.0	2.05	220
1210F-470K-YY	47	0.1	10	25	2.52	6.5	2.30	210
1210F-560K-YY	56	0.1	10	24	2.52	6.0	2.50	200
1210F-680K-YY	68	0.1	10	23	2.52	5.5	2.80	190
1210F-820K-YY	82	0.1	10	22	2.52	5.0	3.20	175
1210F-101K-YY	100	0.1	10	22	2.52	4.5	4.70	145
1210F-121K-YY	120	0.1	10	30	0.796	4.2	5.20	140
1210F-151K-YY	150	0.1	10	30	0.796	4.0	6.10	130
1210F-181K-YY	180	0.1	10	27	0.796	3.6	6.90	120
1210F-221K-YY	220	0.1	10	25	0.796	3.3	7.50	115
1210F-271K-YY	270	0.1	10	23	0.796	3.0	12.5	90
1210F-331K-YY	330	0.1	10	23	0.796	2.8	14.1	85
1210F-391K-YY	390	0.1	10	23	0.796	2.5	15.3	80
1210F-471K-YY	470	0.1	10	22	0.796	2.3	20.5	75
1210F-561K-YY	560	0.1	10	22	0.796	2.2	23.0	70
1210F-681K-YY	680	0.1	10	22	0.796	1.9	25.0	65
1210F-821K-YY	820	0.1	10	20	0.796	1.7	28.0	60
1210F-102K-YY	1000	0.1	10	18	0.796	1.6	32.0	55

Core Material : Ferrite

Revision date : 23 Jul 2015

SPQ : Taped / Reel 800 [-01]  
3000 [-04]

Remarks: - For not listed inductance values please check availability with us.  
- 2% and 5% tolerance available on request.